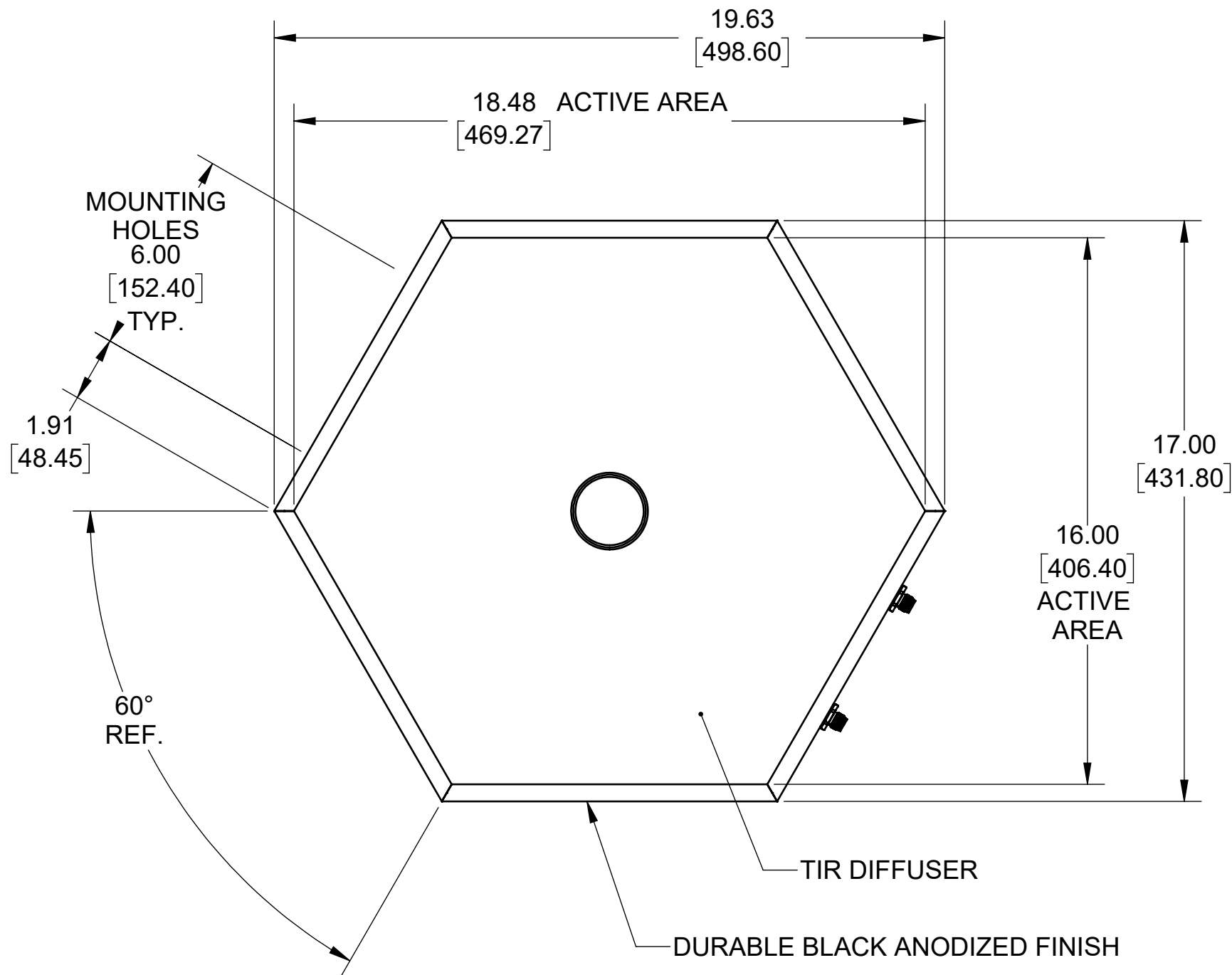


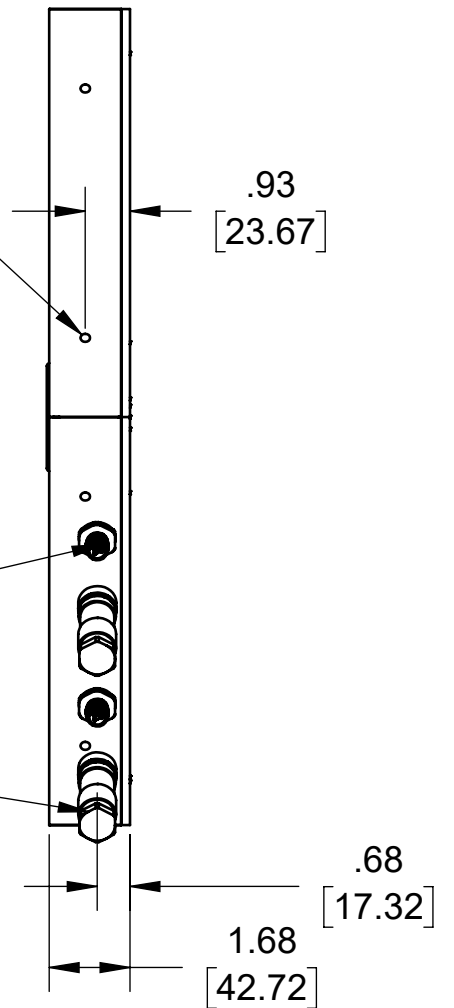
REVISIONS				
REV.	DESCRIPTION	DATE	APPROVED	
A	INITIAL RELEASE	4/5/2016		



MOUNTING HOLES  
M6X1.0 - 6H  $\nabla$  .30 [7.62]  
2 HOLES PER SIDE  
12 HOLES TOTAL

DUAL POWER  
CONNECTORS

CUSTOMER SUPPLIED  
MATING CONNECTOR  
(PHEONIX 1404644)



SEE SHEET 2 FOR EXPLODED VIEW AND BOM.

Metaphase Technologies, Inc. 211 Sinclair Road, Suite 100, Bristol, PA. 19007 215-639-8699 Fax 215-639-0977

**QUANTITY:** Per order

**MATERIAL:** Aluminum 6061-T6

**FINISH:** Black Anodize

**TREATMENT:** N/A

TOLERANCE/FINISH UNLESS OTHERWISE SPECIFIED				
INCHES[MM]				125√RMS [RA3.2um]
X	.X	.XX	.XXX	±.005 ANGLES±1°
[±.76]	±.030 [±.25]	±.010 [±.13]		

THIS DOCUMENT IS THE PROPERTY OF METAPHASE TECHNOLOGIES, INC. WHOM MAY LOAN IT, SUBJECT TO RETURN UPON DEMAND. IT INCLUDES CONFIDENTIAL & PROPRIETARY INFORMATION WHICH MAY NOT BE DISCLOSED TO ANY THIRD PARTY, AND/ OR USED FOR ANY PURPOSE CONTRARY TO IT'S INTENDED USE, WITHOUT THE EXPRESSED PRIOR WRITTEN CONSENT OF METAPHASE TECHNOLOGIES, INC.



TITLE  
**Top Assy.; Hex Camera Light**

USED ON  
**Per customer**

SIZE <b>B</b>	DRAWING NUMBER <b>MB-HOBL-16X16-PC-1</b>	REV <b>A</b>
SCALE 1:4		SHEET 1 OF 1

Approval Signature

/ /  
Date