



MetaBright™
Hexagonal Light
Model: MB-HOBL16x16



- Aluminum housing comes with multiple locations for secure and easy mounting
- Larger panels for even lighting
- Dual control of inside and outside with independent intensities
- Diffused, even illumination of standard dome lights

SPECIFICATIONS

Current Consumption	Ch1: 2A (DC) / 20A (Strobe) @ 250us Ch2: 2.2A (DC) / 22A (Strobe) @ 250us
Housing	Aluminum
Finish	Anodized Black
Intensity Uniformity	+/-5%
Operating Temperature	120° F Max
Illuminance	92,531 Lux
Compliance	CE/RoHS
Lifetime Hours	75,000 Hours

ACTIVE AREA

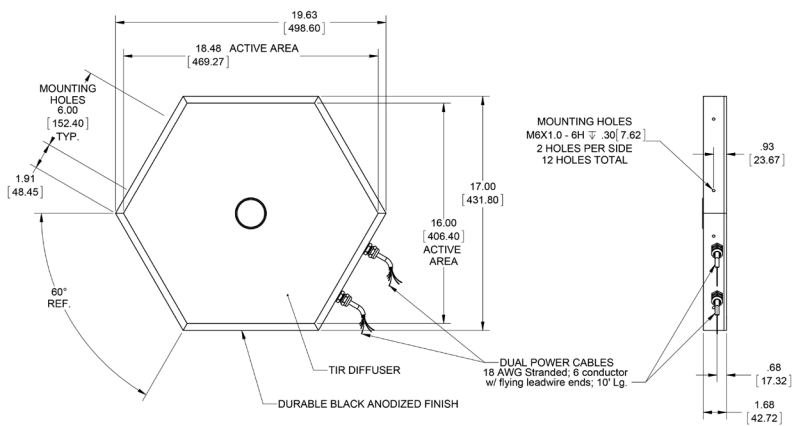
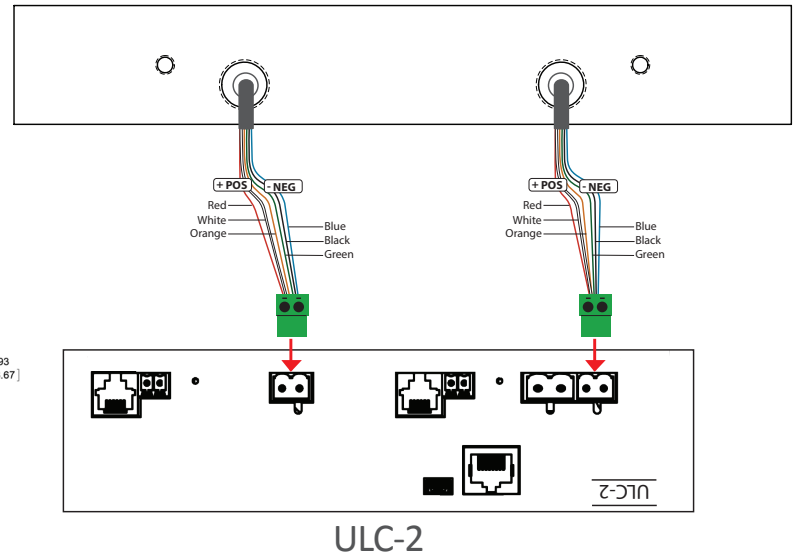
16in
406.4mm

DIMENSIONS

17in
431.8mm

WIRING DIAGRAM

MetaBright™ Hexagonal Light



WAVELENGTH (nanometers)

White (9K) 6000K

CONTACT US:

Contact your Metaphase Technologies Representative with any questions at 215-639-8699