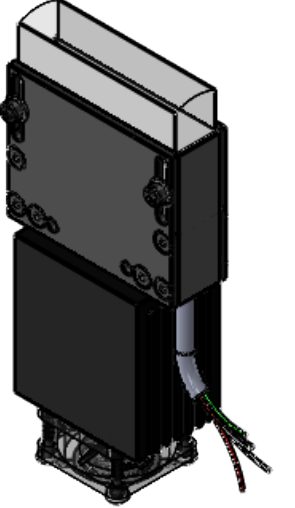
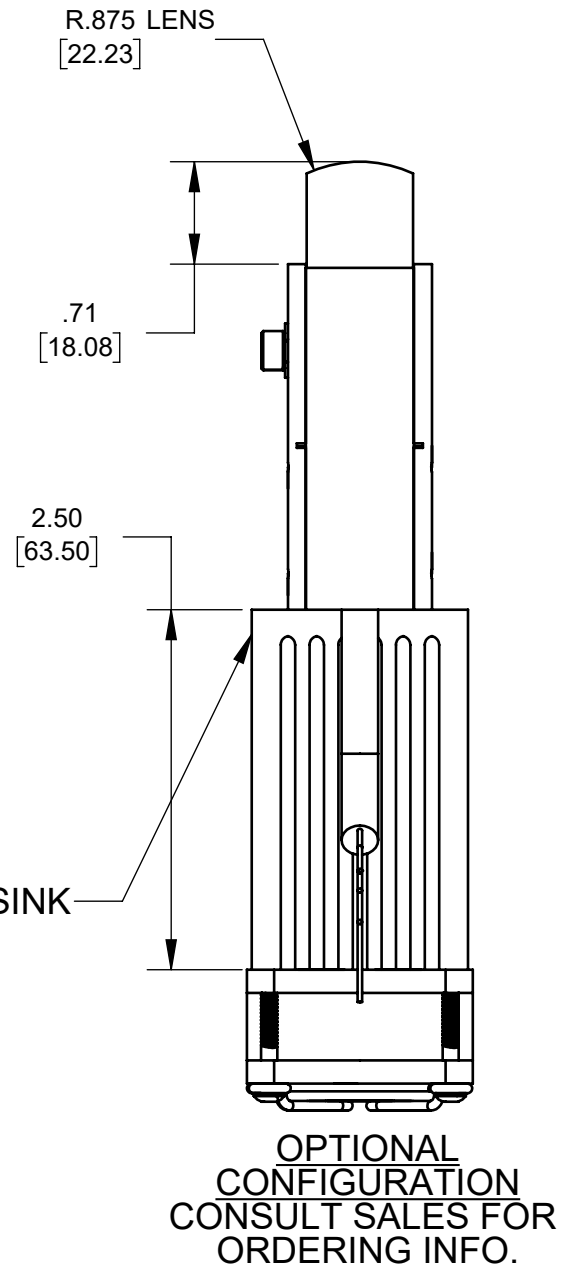
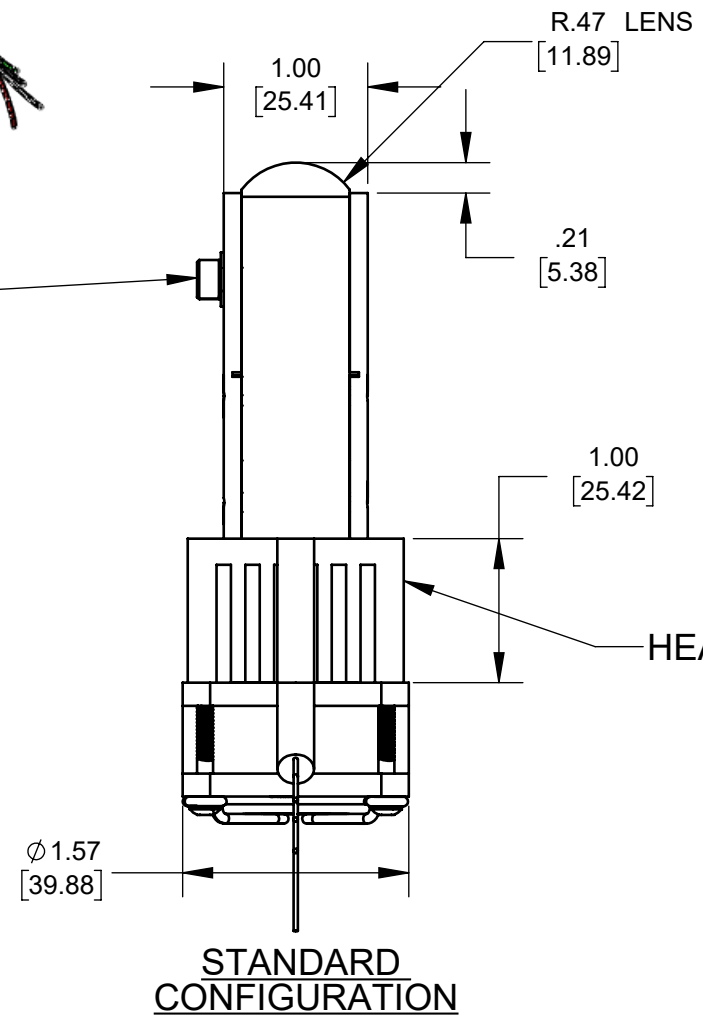
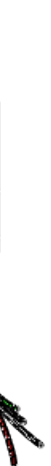
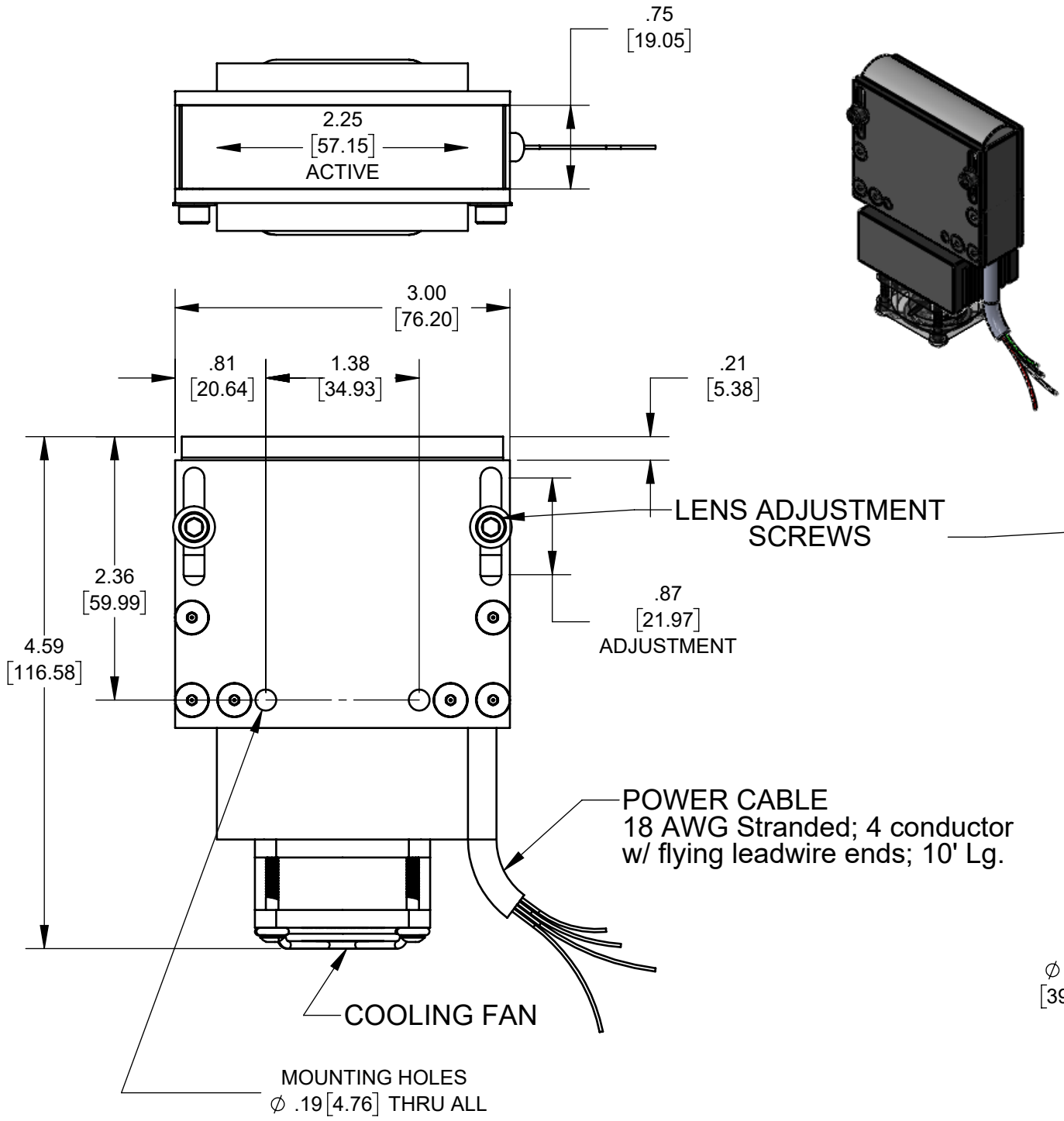


REVISIONS				
REV.	DESCRIPTION	DATE	APPROVED	
A	INITIAL RELEASE	2/3/2016		
B	ADDED OPTIONAL CONFIGURATION	2/3/2016		
C	CLARIFY ACTIVE AREA	6/24/2016		



SEE SHEET 2 FOR EXPLODED VIEW AND BOM.

Metaphase Technologies, Inc. 211 Sinclair Road, Suite 100, Bristol, PA. 19007 215-639-8699 Fax 215-639-0977



QUANTITY: Per order
MATERIAL: See BOM
FINISH: Black Anodize
TREATMENT: N/A

TOLERANCE/FINISH UNLESS OTHERWISE SPECIFIED				
INCHES[MM]				125V RMS [RA3.2um]
X	.X	.XX	.XXX	ANGLES±1°
[±.76]	±.030 [+.25]	±.010 [+.13]	±.005	

THIS DOCUMENT IS THE PROPERTY OF METAPHASE TECHNOLOGIES, INC. WHOM MAY LOAN IT, SUBJECT TO RETURN UPON DEMAND. IT INCLUDES CONFIDENTIAL & PROPRIETARY INFORMATION WHICH MAY NOT BE DISCLOSED TO ANY THIRD PARTY, AND/ OR USED FOR ANY PURPOSE CONTRARY TO IT'S INTENDED USE, WITHOUT THE EXPRESSED PRIOR WRITTEN CONSENT OF METAPHASE TECHNOLOGIES, INC.

TITLE Top Assembly- 3" Line Light		
USED ON Per customer		
SIZE B	DRAWING NUMBER MB-LL106-1	REV C
SCALE 1:2		SHEET 1 OF 1

Approval Signature

/ /
Date