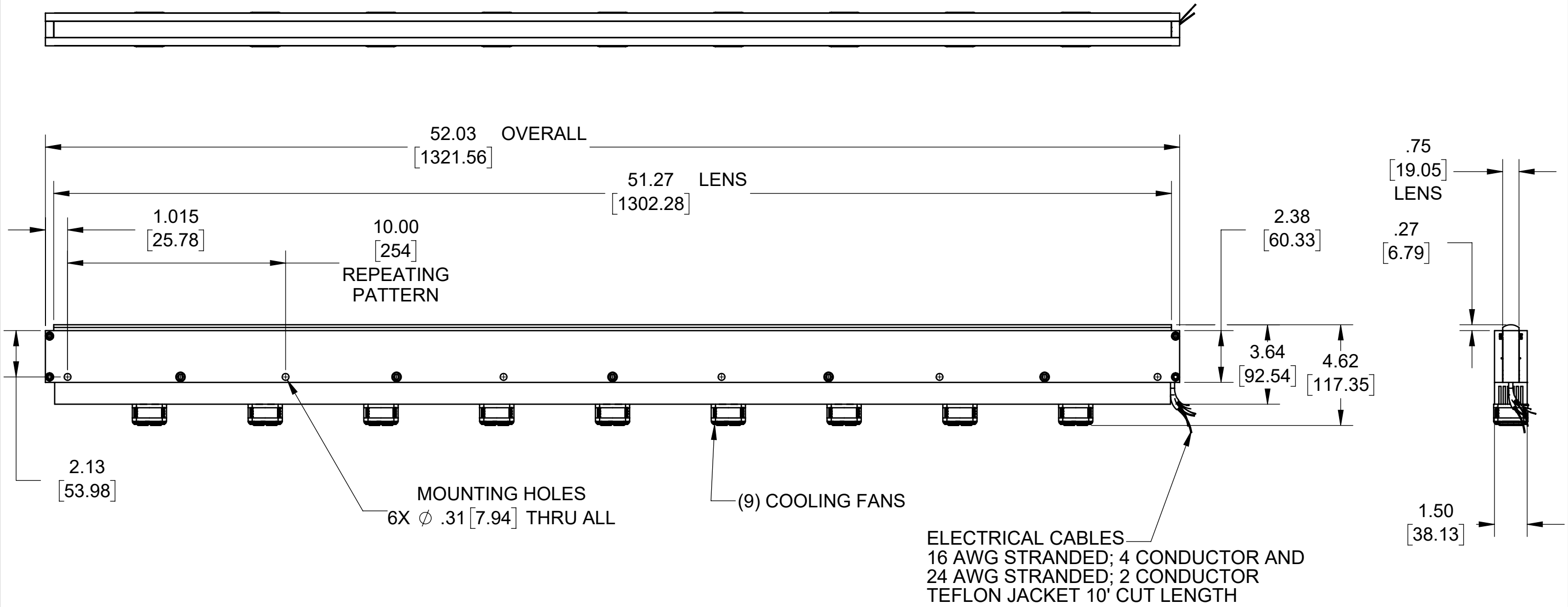


REVISIONS			
REV.	DESCRIPTION	DATE	APPROVED
A	INITIAL RELEASE	3/9/2015	
B	CABLE SPEC UPDATE	11/7/2017	



Metaphase Technologies, Inc. 211 Sinclair Road, Suite 100, Bristol, PA. 19007 215-639-8699 Fax 215-639-0977



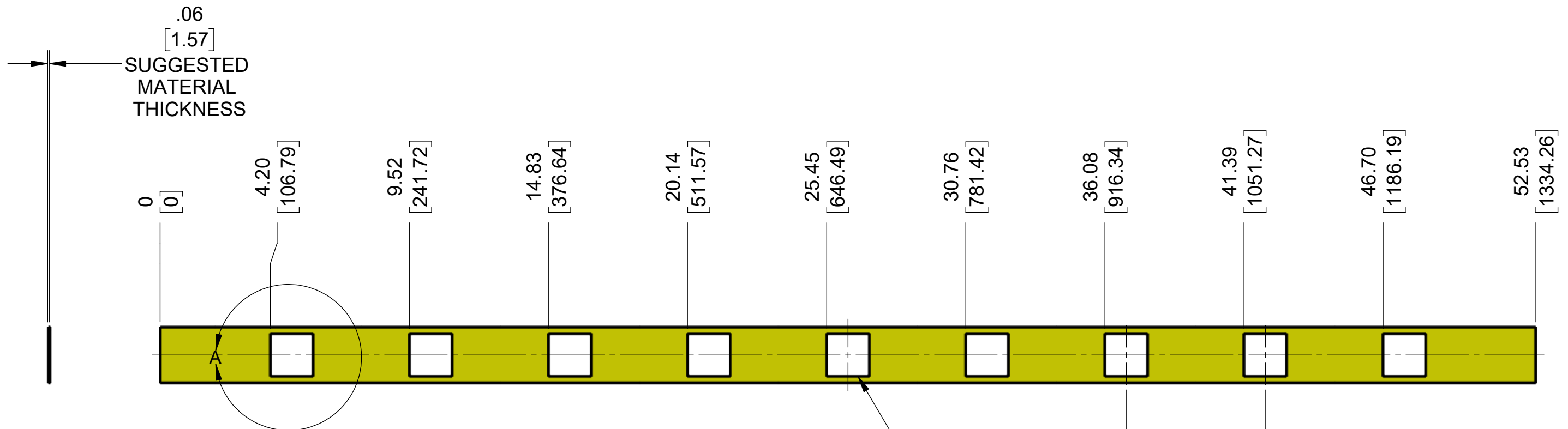
**SEE SHEET 2 FOR EXPLODED VIEW AND BOM.**

<b>QUANTITY:</b>	Per order	TOLERANCE/FINISH UNLESS OTHERWISE SPECIFIED			
<b>MATERIAL:</b>	Aluminum	INCHES [MM]			
<b>FINISH:</b>	Black/ Clear Anodize	X	.X	.XX	.XXX
<b>TREATMENT:</b>	N/A	[±.76]	±.030 [±.25]	±.010 [±.13]	±.005
					125√RMS [RA3.2um]
					ANGLES ±1°

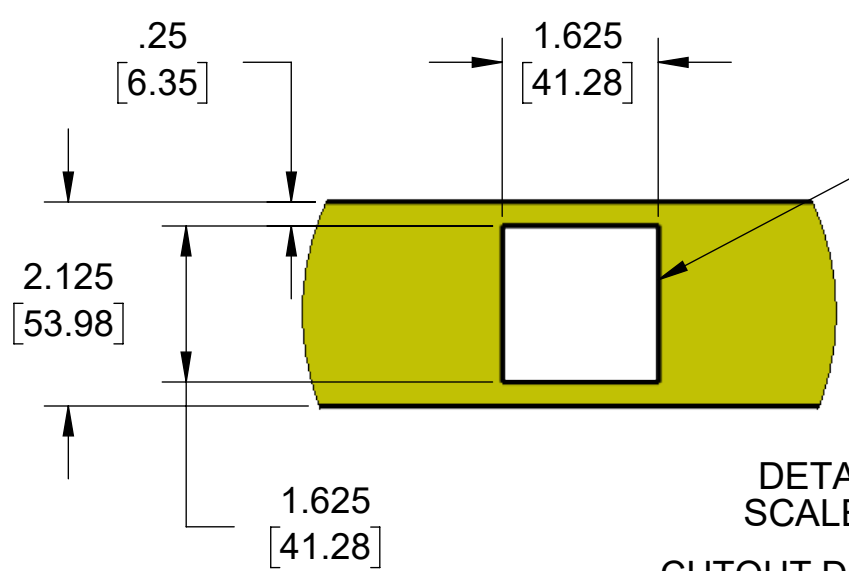
THIS DOCUMENT IS THE PROPERTY OF METAPHASE TECHNOLOGIES, INC. WHOM MAY LOAN IT, SUBJECT TO RETURN UPON DEMAND. IT INCLUDES CONFIDENTIAL & PROPRIETARY INFORMATION WHICH MAY NOT BE DISCLOSED TO ANY THIRD PARTY, AND/ OR USED FOR ANY PURPOSE CONTRARY TO IT'S INTENDED USE, WITHOUT THE EXPRESSED PRIOR WRITTEN CONSENT OF METAPHASE TECHNOLOGIES, INC.

TITLE	50" Line Light- Reinforced		
USED ON	Per customer		
SIZE	DRAWING NUMBER	REV	
B	MB-LL1107-1	B	
SCALE 1:8	SHEET 1 OF 2		

Approval Signature \_\_\_\_\_ / / Date \_\_\_\_\_



INCLUDES .25 [6.3] SIDE CLEARANCE AROUND LIGHT



TYP. CUTOUT

INCLUDES .25 [6.3] SIDE CLEARANCE AROUND LIGHT

DETAIL A  
SCALE 1 : 2  
CUTOUT DIMENSIONS  
TYP.

TYP.  
5.312  
[134.92]  
SPACING

Metaphase Technologies, Inc. 211 Sinclair Road, Suite 100, Bristol, PA. 19007 215-639-8699 Fax 215-639-0977																			
TOLERANCE/FINISH UNLESS OTHERWISE SPECIFIED <table border="1"> <thead> <tr> <th colspan="4">INCHES[MM]</th> <th rowspan="2">125√RMS [RA3.2um]</th> </tr> <tr> <th>X</th> <th>.X</th> <th>.XX</th> <th>.XXX</th> </tr> </thead> <tbody> <tr> <td>[±.76]</td> <td>±.030 [±.25]</td> <td>±.010 [±.13]</td> <td>±.005</td> <td>ANGLES ±1°</td> </tr> </tbody> </table> FLAT PATTERNS USE 0.5 K FACTOR FOR DESIGN REFERENCE ONLY. ACTUAL VALUE MAY VARY, USE TEST PART AS REQ'D TO VERIFY ACCURACY				INCHES[MM]				125√RMS [RA3.2um]	X	.X	.XX	.XXX	[±.76]	±.030 [±.25]	±.010 [±.13]	±.005	ANGLES ±1°	THIS DOCUMENT IS THE PROPERTY OF <b>METAPHASE TECHNOLOGIES, INC.</b> WHOM MAY LOAN IT, SUBJECT TO RETURN UPON DEMAND. IT INCLUDES CONFIDENTIAL & PROPRIETARY INFORMATION WHICH MAY NOT BE DISCLOSED TO ANY THIRD PARTY, AND/ OR USED FOR ANY PURPOSE CONTRARY TO IT'S INTENDED USE, WITHOUT THE EXPRESSED PRIOR WRITTEN CONSENT OF <b>METAPHASE TECHNOLOGIES, INC.</b>	
				INCHES[MM]					125√RMS [RA3.2um]										
X	.X	.XX	.XXX																
[±.76]	±.030 [±.25]	±.010 [±.13]	±.005	ANGLES ±1°															
TITLE Template; Fan Clearance																			
USED ON Per customer		SIZE B	DRAWING NUMBER MB-LL1107-1	REV B	SCALE 1:8 SHEET 2 OF 2														