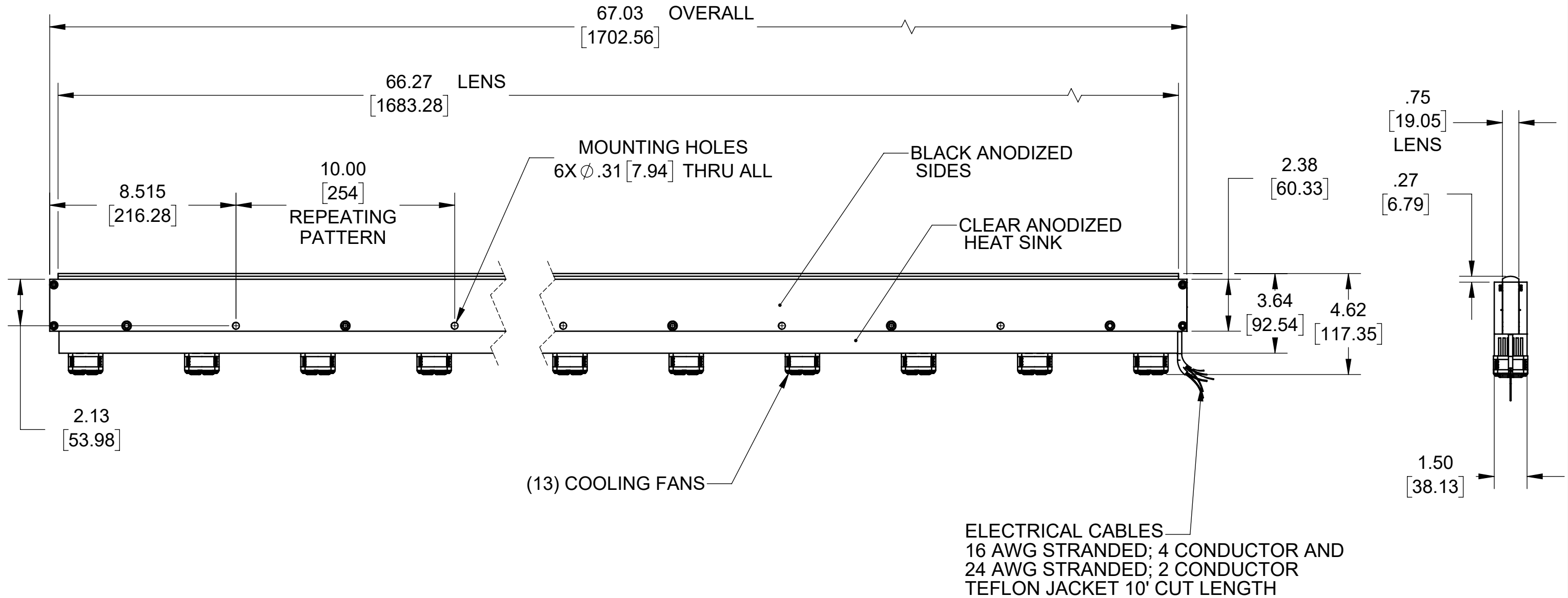


REVISIONS			
REV.	DESCRIPTION	DATE	APPROVED
A	INITIAL RELEASE	3/9/2015	
B	CABLE SPEC UPDATE	11/8/2017	



Metaphase Technologies, Inc. 211 Sinclair Road, Suite 100, Bristol, PA. 19007 215-639-8699 Fax 215-639-0977



SEE SHEET 2 FOR EXPLODED VIEW AND BOM.

<b>QUANTITY:</b>	Per order
<b>MATERIAL:</b>	Aluminum
<b>FINISH:</b>	Black/ Clear Anodize
<b>TREATMENT:</b>	N/A

TOLERANCE/FINISH UNLESS OTHERWISE SPECIFIED				
INCHES [MM]				
X	.X	.XX	.XXX	125√RMS [RA3.2um]
[±.76]	±.030 [±.25]	±.010 [±.13]	±.005	ANGLES ±1°

THIS DOCUMENT IS THE PROPERTY OF METAPHASE TECHNOLOGIES, INC. WHOM MAY LOAN IT, SUBJECT TO RETURN UPON DEMAND. IT INCLUDES CONFIDENTIAL & PROPRIETARY INFORMATION WHICH MAY NOT BE DISCLOSED TO ANY THIRD PARTY, AND/ OR USED FOR ANY PURPOSE CONTRARY TO IT'S INTENDED USE, WITHOUT THE EXPRESSED PRIOR WRITTEN CONSENT OF METAPHASE TECHNOLOGIES, INC.

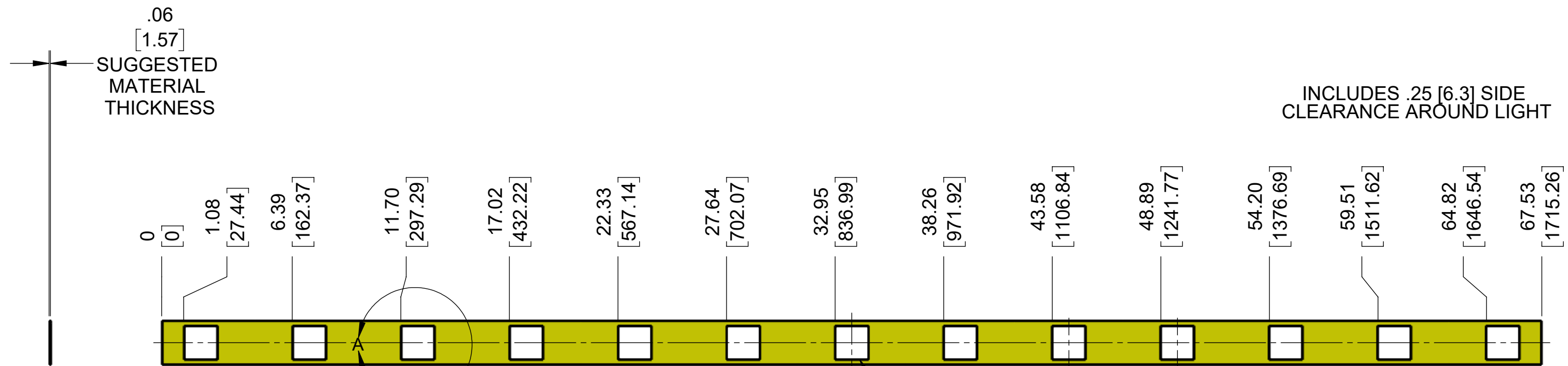
TITLE  
65" Line Light- Reinforced

USED ON  
Per customer

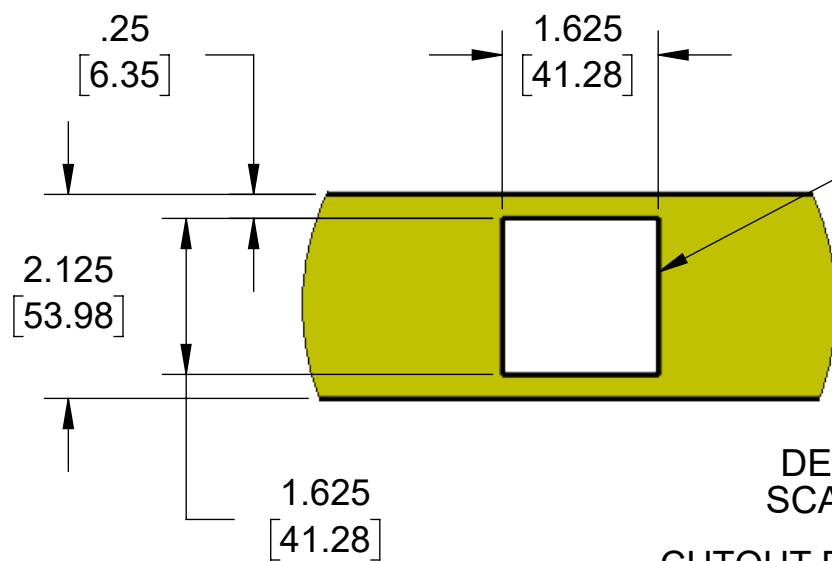
SIZE <b>B</b>	DRAWING NUMBER <b>MB-LL1407-1</b>	REV <b>B</b>
SCALE 1:8		SHEET 1 OF 2

Approval Signature

/ /  
Date



INCLUDES .25 [6.3] SIDE CLEARANCE AROUND LIGHT



DETAIL A  
SCALE 1 : 2  
CUTOUT DIMENSIONS  
TYP.

Metaphase Technologies, Inc. 211 Sinclair Road, Suite 100, Bristol, PA. 19007 215-639-8699 Fax 215-639-0977																		
TOLERANCE/FINISH UNLESS OTHERWISE SPECIFIED <table border="1"> <thead> <tr> <th rowspan="2">X</th> <th colspan="3">INCHES[MM]</th> <th rowspan="2">125√RMS [RA3.2um]</th> </tr> <tr> <th>.X</th> <th>.XX</th> <th>.XXX</th> </tr> </thead> <tbody> <tr> <td>[±.76]</td> <td>±.030 [±.25]</td> <td>±.010 [±.13]</td> <td>±.005</td> <td>ANGLES ±1°</td> </tr> </tbody> </table>				X	INCHES[MM]			125√RMS [RA3.2um]	.X	.XX	.XXX	[±.76]	±.030 [±.25]	±.010 [±.13]	±.005	ANGLES ±1°	THIS DOCUMENT IS THE PROPERTY OF <b>METAPHASE TECHNOLOGIES, INC.</b> WHOM MAY LOAN IT, SUBJECT TO RETURN UPON DEMAND. IT INCLUDES CONFIDENTIAL & PROPRIETARY INFORMATION WHICH MAY NOT BE DISCLOSED TO ANY THIRD PARTY, AND/ OR USED FOR ANY PURPOSE CONTRARY TO IT'S INTENDED USE, WITHOUT THE EXPRESSED PRIOR WRITTEN CONSENT OF <b>METAPHASE TECHNOLOGIES, INC.</b>	
					X	INCHES[MM]			125√RMS [RA3.2um]									
.X	.XX	.XXX																
[±.76]	±.030 [±.25]	±.010 [±.13]	±.005	ANGLES ±1°														
TITLE <b>Template; Fan Clearance</b>																		
USED ON <b>Per customer</b>				SIZE <b>B</b>	DRAWING NUMBER <b>MB-LL1407-1</b>													
FLAT PATTERNS USE 0.5 K FACTOR FOR DESIGN REFERENCE ONLY. ACTUAL VALUE MAY VARY, USE TEST PART AS REQ'D TO VERIFY ACCURACY				SCALE 1:8	REV <b>B</b> SHEET 2 OF 2													