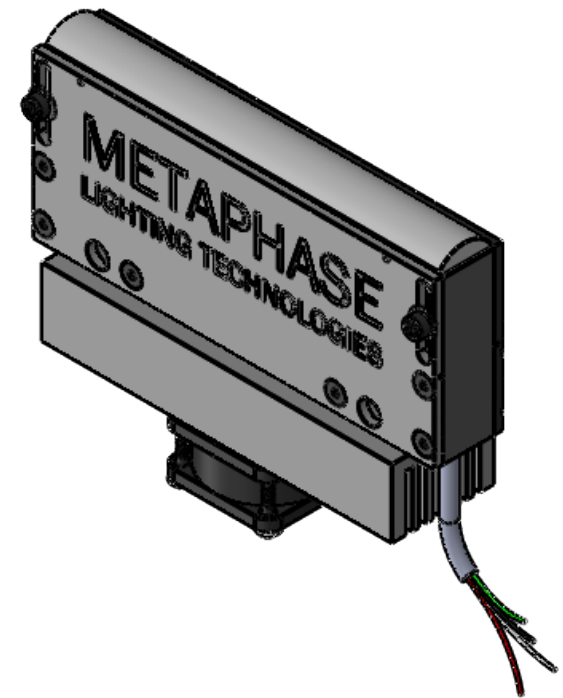
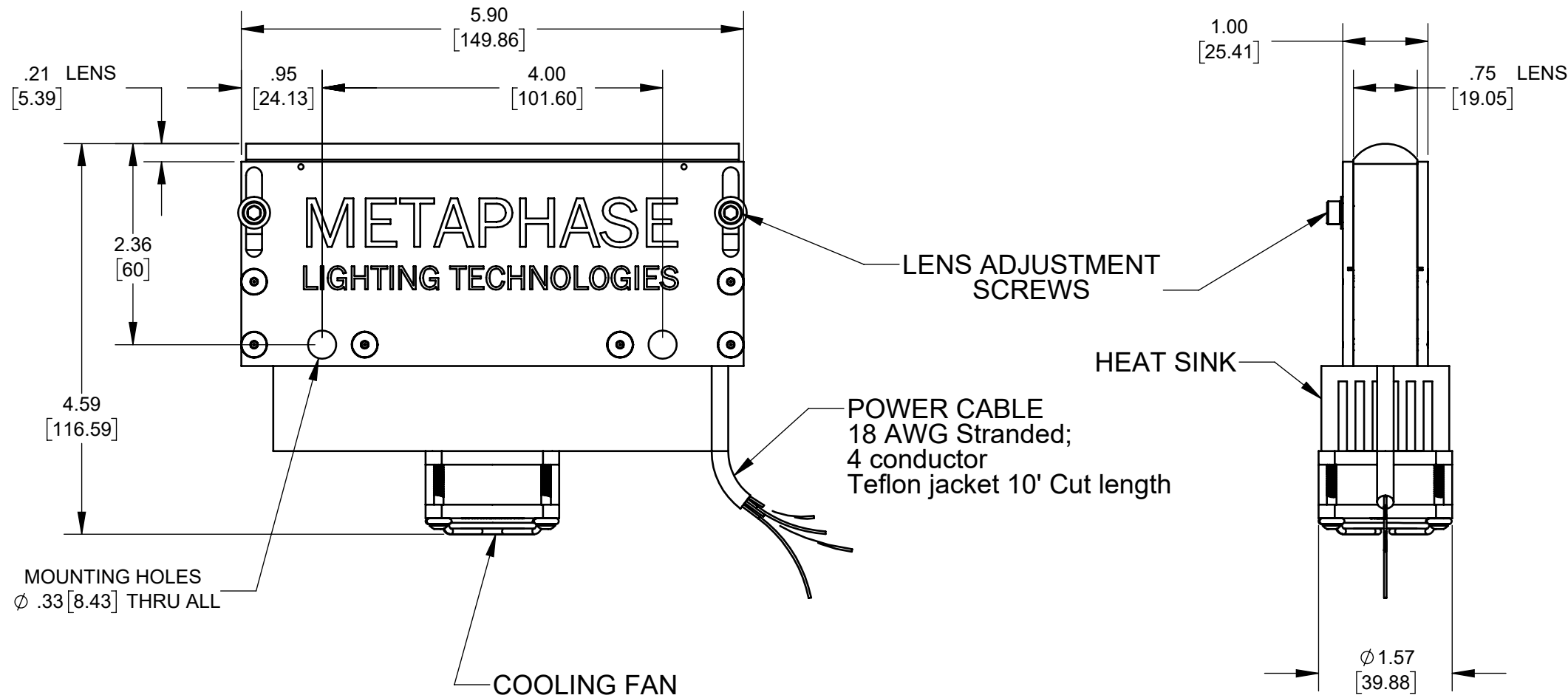


REVISIONS			
REV.	DESCRIPTION	DATE	APPROVED
A	INITIAL RELEASE	8/10/2013	
B	ADDED MYLAR DIFFUSER- SEE SHEET 2.	8/13/2013	
C	UPDATED FORMAT, ENLARGED MTG. HOLES TO STANDARD SIZE, ADDED LOGO AND M2 HOLES.	1/19/2016	
D	ADDED ACTIVE DIM FOR CLARIFICATION	6/24/2016	
E	CABLE SPEC UPDATE	11/6/2017	



SEE SHEET 2 FOR EXPLODED VIEW AND BOM.

Metaphase Technologies, Inc. 211 Sinclair Road, Suite 100, Bristol, PA. 19007 215-639-8699 Fax 215-639-0977



QUANTITY:	<u>Per order</u>
MATERIAL:	<u>See BOM</u>
FINISH:	<u>Black Anodize</u>
TREATMENT:	N/A

TOLERANCE/FINISH UNLESS OTHERWISE SPECIFIED				
INCHES [MM]				
X	.X	.XX	.XXX	125√RMS [RA3.2um]
[±.76]	±.030 [±.25]	±.010 [±.13]	±.005	ANGLES ±1°

THIS DOCUMENT IS THE PROPERTY OF METAPHASE TECHNOLOGIES, INC. WHOM MAY LOAN IT, SUBJECT TO RETURN UPON DEMAND. IT INCLUDES CONFIDENTIAL & PROPRIETARY INFORMATION WHICH MAY NOT BE DISCLOSED TO ANY THIRD PARTY, AND/ OR USED FOR ANY PURPOSE CONTRARY TO IT'S INTENDED USE, WITHOUT THE EXPRESSED PRIOR WRITTEN CONSENT OF METAPHASE TECHNOLOGIES, INC.

TITLE
Top Assembly- 5" Line Light

USED ON
Per customer

SIZE B	DRAWING NUMBER MB-LL205-1	REV E
SCALE 1:2		SHEET 1 OF 1

Approval Signature

/ /
Date