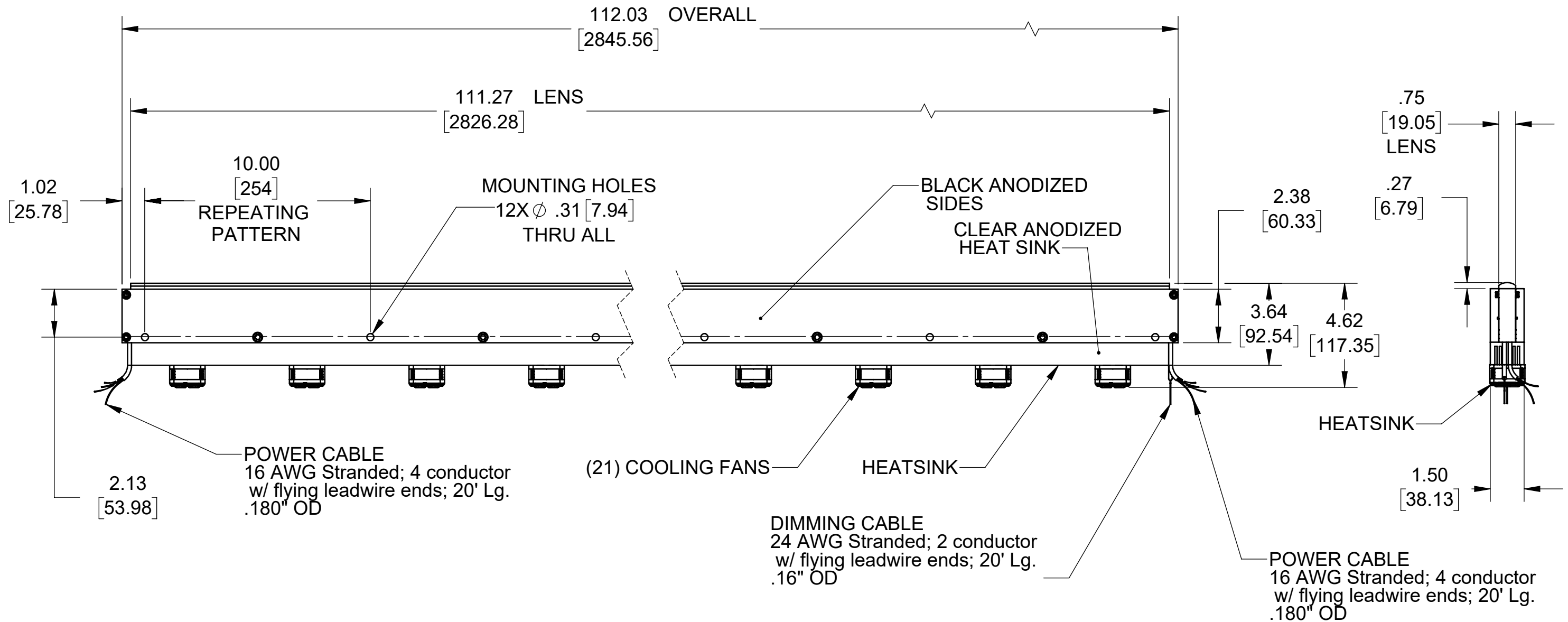


REVISIONS			
REV.	DESCRIPTION	DATE	APPROVED
A	INITIAL RELEASE	6/22/2015	



SEE SHEET 2 FOR EXPLODED VIEW AND BOM.

Metaphase Technologies, Inc. 211 Sinclair Road, Suite 100, Bristol, PA. 19007 215-639-8699 Fax 215-639-0977



QUANTITY: Per order

MATERIAL: Aluminum

FINISH: Black/ Clear Anodize

TREATMENT: N/A

TOLERANCE/FINISH				
UNLESS OTHERWISE SPECIFIED				
	INCHES[MM]			125√RMS [RA3.2um]
X	.X	.XX	.XXX	
[±.76]	±.030 [±.25]	±.010 [±.13]	±.005	ANGLES±1°

THIS DOCUMENT IS THE PROPERTY OF METAPHASE TECHNOLOGIES, INC. WHOM MAY LOAN IT, SUBJECT TO RETURN UPON DEMAND. IT INCLUDES CONFIDENTIAL & PROPRIETARY INFORMATION WHICH MAY NOT BE DISCLOSED TO ANY THIRD PARTY, AND/ OR USED FOR ANY PURPOSE CONTRARY TO IT'S INTENDED USE, WITHOUT THE EXPRESSED PRIOR WRITTEN CONSENT OF METAPHASE TECHNOLOGIES, INC.

TITLE 110" Line Light- Reinforced

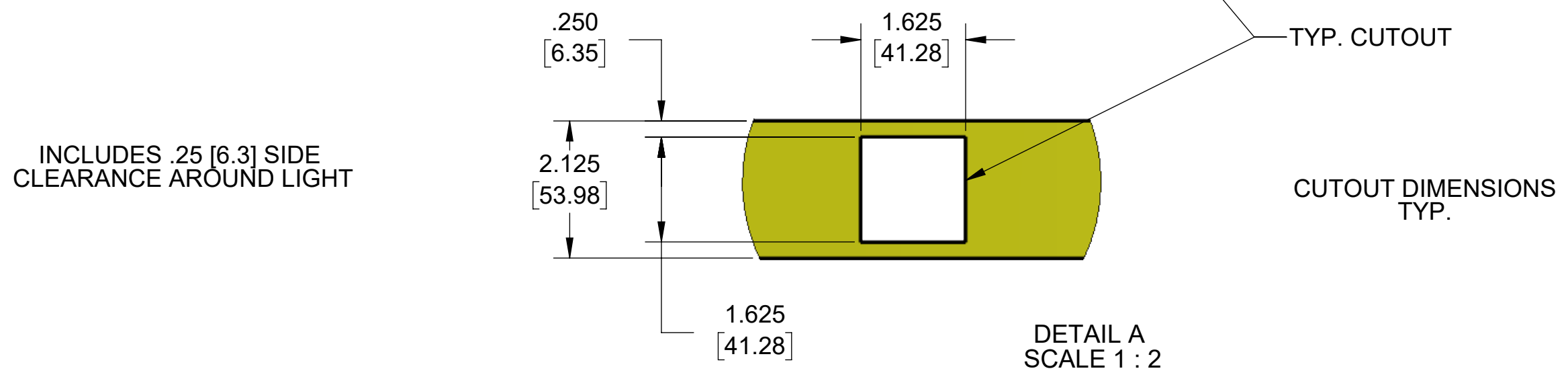
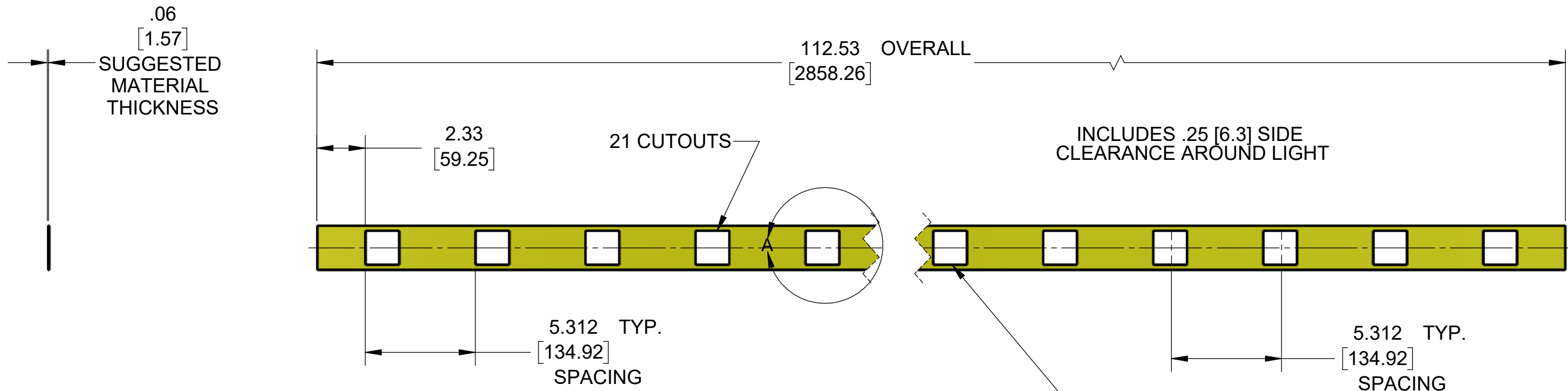
USED ON Per customer

SIZE B DRAWING NUMBER MB-LL2307-1 REV A

SCALE 1:4 SHEET 1 OF 2

Approval Signature

/ /
Date



TOLERANCE/FINISH				
UNLESS OTHERWISE SPECIFIED				
	INCHES[MM]			125√RMS [RA3.2um]
X	.X	.XX	.XXX	
[±.76]	[±.030 [+.25]]	[±.010 [+.13]]	[±.005]	ANGLES±1°

THIS DOCUMENT IS THE PROPERTY OF **METAPHASE TECHNOLOGIES, INC.** WHOM MAY LOAN IT, SUBJECT TO RETURN UPON DEMAND. IT INCLUDES CONFIDENTIAL & PROPRIETARY INFORMATION WHICH MAY NOT BE DISCLOSED TO ANY THIRD PARTY, AND/ OR USED FOR ANY PURPOSE CONTRARY TO IT'S INTENDED USE, WITHOUT THE EXPRESSED PRIOR WRITTEN CONSENT OF **METAPHASE TECHNOLOGIES, INC.**



TITLE		
Template; Fan Clearance		
USED ON		
Per customer		
SIZE	DRAWING NUMBER	REV
B	MB-LL2307-1	A
SCALE 1:4		SHEET 2 OF 2