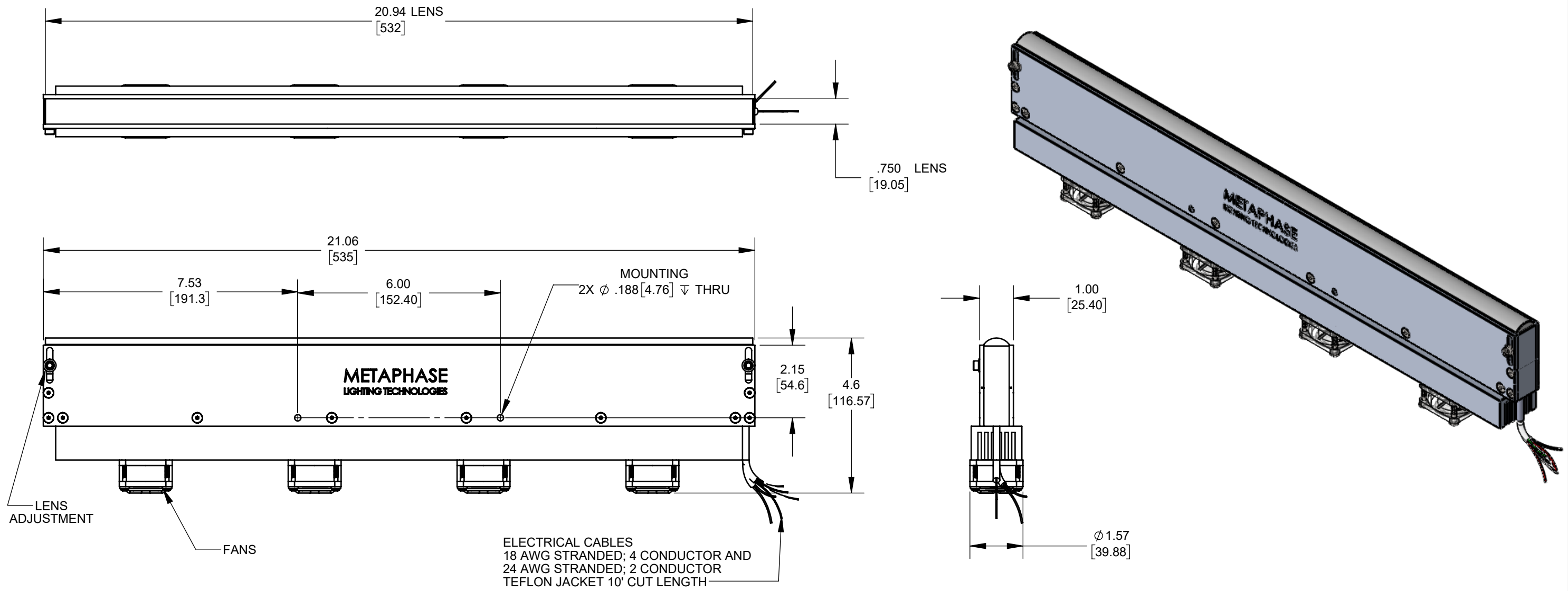


REVISIONS			
REV.	DESCRIPTION	DATE	APPROVED
B	REFORMATTED	4/6/2017	
C	CABLE SPEC UPDATE	11/6/2017	
D	ADDED APPROXIMATE WEIGHT NOTE	4/11/2018	



NOTE: APPROXIMATE WEIGHT 5.2 LBS.

Metaphase Technologies, Inc. 211 Sinclair Road, Suite 100, Bristol, PA. 19007 215-639-8699 Fax 215-639-0977



<b>QUANTITY:</b>	Per order
<b>MATERIAL:</b>	See BOM
<b>FINISH:</b>	Black Anodize
<b>TREATMENT:</b>	N/A

TOLERANCE/FINISH UNLESS OTHERWISE SPECIFIED				
INCHES [MM]				125√RMS [RA3.2um]
X	.X	.XX	.XXX	ANGLES ±1°
[±.76]	±.030 [±.25]	±.010 [±.13]	±.005	

THIS DOCUMENT IS THE PROPERTY OF METAPHASE TECHNOLOGIES, INC. WHOM MAY LOAN IT, SUBJECT TO RETURN UPON DEMAND. IT INCLUDES CONFIDENTIAL & PROPRIETARY INFORMATION WHICH MAY NOT BE DISCLOSED TO ANY THIRD PARTY, AND/ OR USED FOR ANY PURPOSE CONTRARY TO IT'S INTENDED USE, WITHOUT THE EXPRESSED PRIOR WRITTEN CONSENT OF METAPHASE TECHNOLOGIES, INC.

TITLE  
Top Assembly - 20" Line Light

USED ON  
Per customer

SIZE <b>B</b>	DRAWING NUMBER <b>MB-LL506-1</b>	REV <b>D</b>
SCALE 1:2		SHEET 1 OF 1

SEE SHEET 2 FOR EXPLODED VIEW AND BOM

Approval Signature \_\_\_\_\_ / / Date \_\_\_\_\_