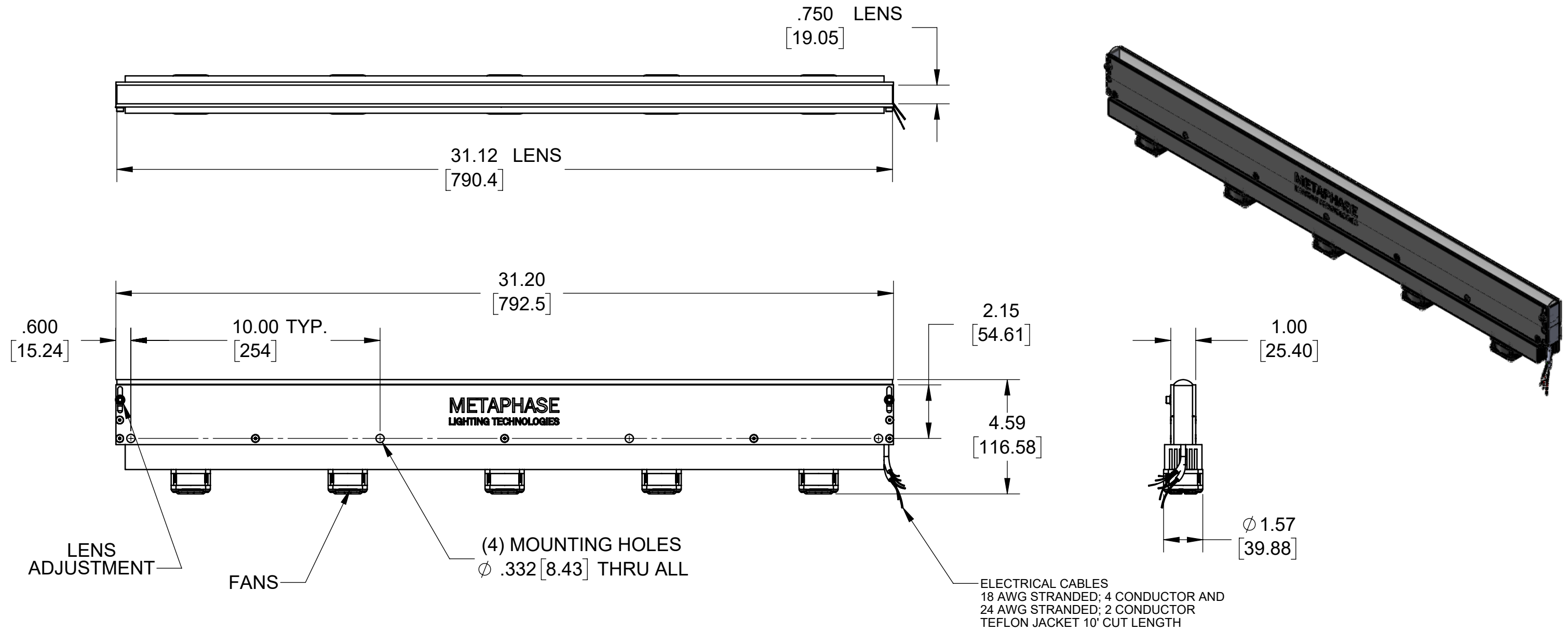


REVISIONS			
REV.	DESCRIPTION	DATE	APPROVED
A	INITIAL RELEASE	1/12/2016	
B	CHANGED MOUNTING HOLE TO STANDARD SIZE. ADDED LOGO AND P/N	2/8/2016	
C	CABLE SPEC UPDATE	11/7/2017	



Metaphase Technologies, Inc. 211 Sinclair Road, Suite 100, Bristol, PA. 19007 215-639-8699 Fax 215-639-0977



SEE SHEET 2 FOR EXPLODED VIEW AND BOM

QUANTITY:	Per order	TOLERANCE/FINISH UNLESS OTHERWISE SPECIFIED			
MATERIAL:	See BOM	INCHES [MM]			
FINISH:	Black Anodize	X	.X	.XX	.XXX
TREATMENT:	N/A	[±.76]	±.030 [±.25]	±.010 [±.13]	±.005
					125V _{RMS} [RA3.2um] ANGLES ±1°

THIS DOCUMENT IS THE PROPERTY OF METAPHASE TECHNOLOGIES, INC. WHOM MAY LOAN IT, SUBJECT TO RETURN UPON DEMAND. IT INCLUDES CONFIDENTIAL & PROPRIETARY INFORMATION WHICH MAY NOT BE DISCLOSED TO ANY THIRD PARTY, AND/ OR USED FOR ANY PURPOSE CONTRARY TO IT'S INTENDED USE, WITHOUT THE EXPRESSED PRIOR WRITTEN CONSENT OF METAPHASE TECHNOLOGIES, INC.

TITLE
Top Assembly - 30" Line Light

USED ON
Per customer

SIZE B	DRAWING NUMBER MB-LL706-1	REV C
SCALE 1:4		SHEET 1 OF 1

Approval Signature _____ Date ____/____/____