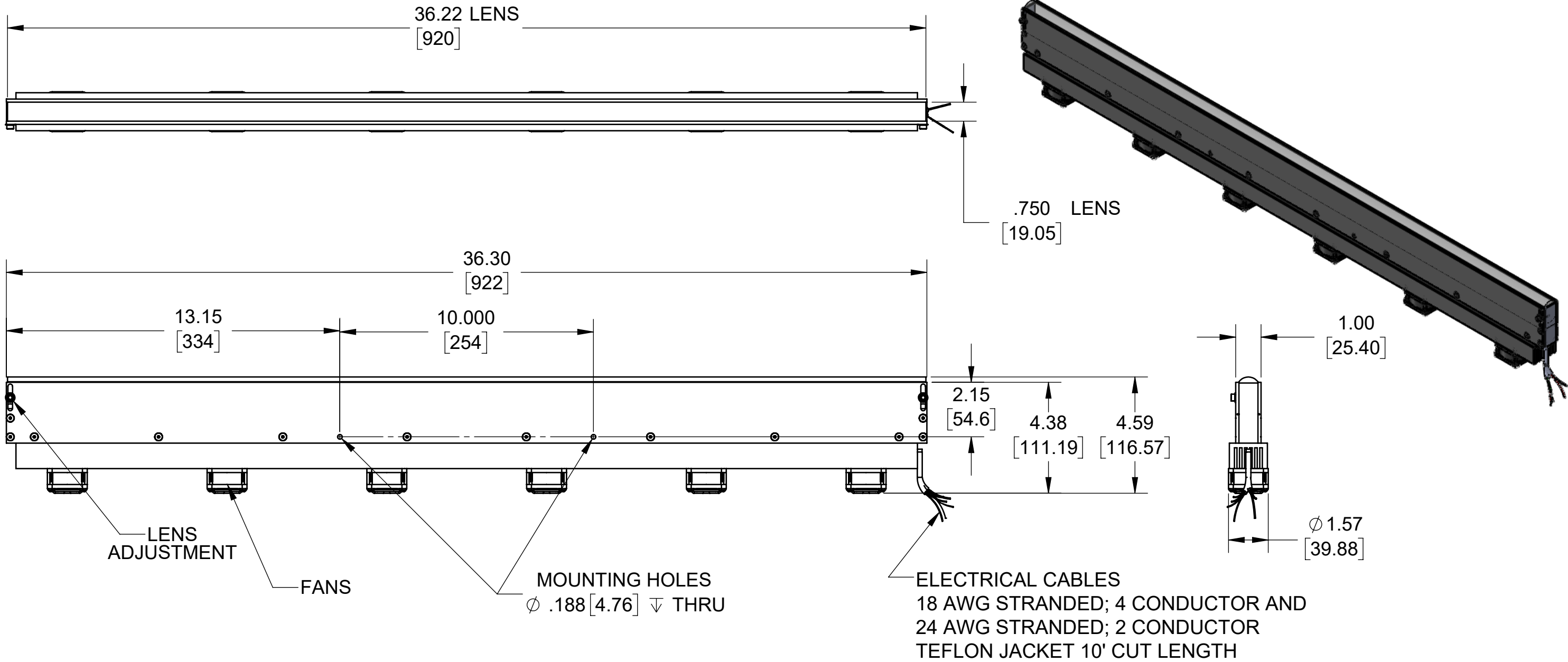


REVISIONS			
REV.	DESCRIPTION	DATE	APPROVED
A	INITIAL RELEASE	8/29/2014	
B	CABLE SPEC UPDATE	11/7/2017	



Metaphase Technologies, Inc. 211 Sinclair Road, Suite 100, Bristol, PA. 19007 215-639-8699 Fax 215-639-0977



SEE SHEET 2 FOR EXPLODED VIEW AND BOM

**QUANTITY:** Per order

**MATERIAL:** See BOM

**FINISH:** Black Anodize

**TREATMENT:** N/A

TOLERANCE/FINISH  
UNLESS OTHERWISE SPECIFIED

INCHES [MM]				125V RMS [RA3.2um]
X	.X	.XX	.XXX	ANGLES ±1°
[±.76]	±.030 [±.25]	±.010 [±.13]	±.005	

THIS DOCUMENT IS THE PROPERTY OF METAPHASE TECHNOLOGIES, INC. WHOM MAY LOAN IT, SUBJECT TO RETURN UPON DEMAND. IT INCLUDES CONFIDENTIAL & PROPRIETARY INFORMATION WHICH MAY NOT BE DISCLOSED TO ANY THIRD PARTY, AND/ OR USED FOR ANY PURPOSE CONTRARY TO IT'S INTENDED USE, WITHOUT THE EXPRESSED PRIOR WRITTEN CONSENT OF METAPHASE TECHNOLOGIES, INC.

TITLE  
Top Assembly - 35" Line Light

USED ON  
Per customer

SIZE B	DRAWING NUMBER MB-LL806-1	REV B
SCALE 1:4		SHEET 1 OF 1

Approval Signature

/ /  
Date