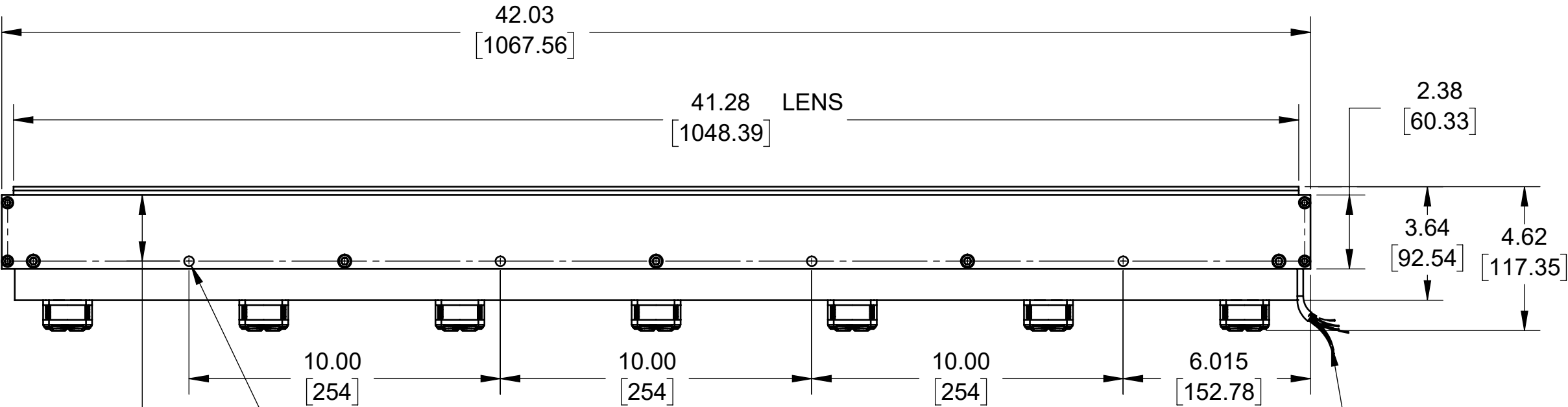


REVISIONS			
REV.	DESCRIPTION	DATE	APPROVED
A	INITIAL RELEASE	12/12/2014	
B	CABLE SPEC UPDATE	11/7/2017	



MOUNTING HOLES
 4X ϕ .31 [7.94] THRU ALL
 SAME LOCATIONS AS EARLIER
 GENERATION LIGHS.

ELECTRICAL CABLES
 16 AWG STRANDED; 4 CONDUCTOR AND
 24 AWG STRANDED; 2 CONDUCTOR
 TEFLON JACKET 10' CUT LENGTH

SEE SHEET 2 FOR EXPLODED VIEW AND BOM.

Metaphase Technologies, Inc. 211 Sinclair Road, Suite 100, Bristol, PA. 19007 215-639-8699 Fax 215-639-0977			
QUANTITY: Per order	TOLERANCE/FINISH UNLESS OTHERWISE SPECIFIED	TITLE 40" Line Light- Reinforced	
MATERIAL: Aluminum	INCHES [MM]	USED ON Per customer	
FINISH: Black	X .X .XX .XXX 125 \sqrt RMS [RA3.2um]	SIZE B	DRAWING NUMBER MB-LL907-1
TREATMENT: N/A	[±.76] ±.030 [±.25] ±.010 [±.13] ±.005 ANGLES ±1°	SCALE 1:8	REV B
Approval Signature	Date	SHEET 1 OF 1	

THIS DOCUMENT IS THE PROPERTY OF METAPHASE TECHNOLOGIES, INC. WHOM MAY LOAN IT, SUBJECT TO RETURN UPON DEMAND. IT INCLUDES CONFIDENTIAL & PROPRIETARY INFORMATION WHICH MAY NOT BE DISCLOSED TO ANY THIRD PARTY, AND/ OR USED FOR ANY PURPOSE CONTRARY TO IT'S INTENDED USE, WITHOUT THE EXPRESSED PRIOR WRITTEN CONSENT OF METAPHASE TECHNOLOGIES, INC.