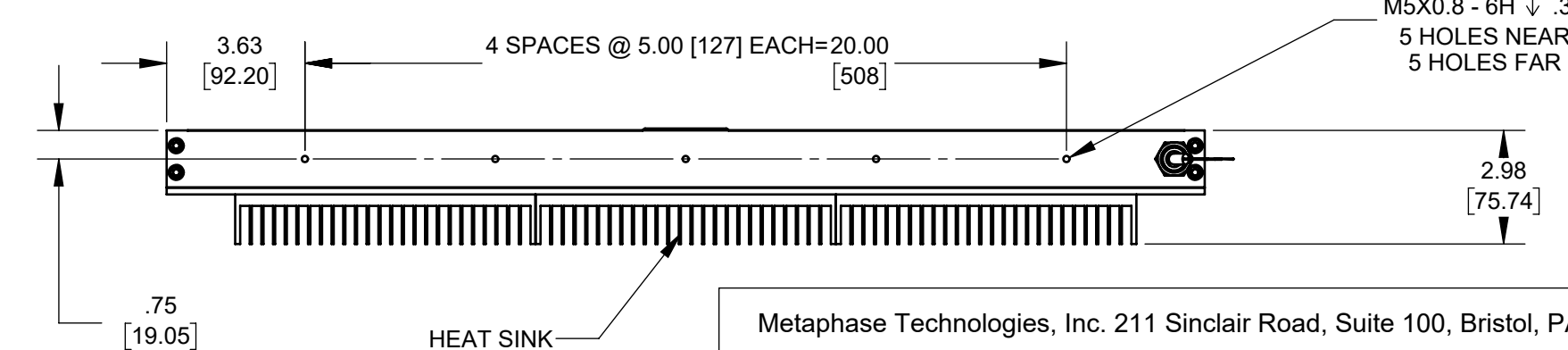
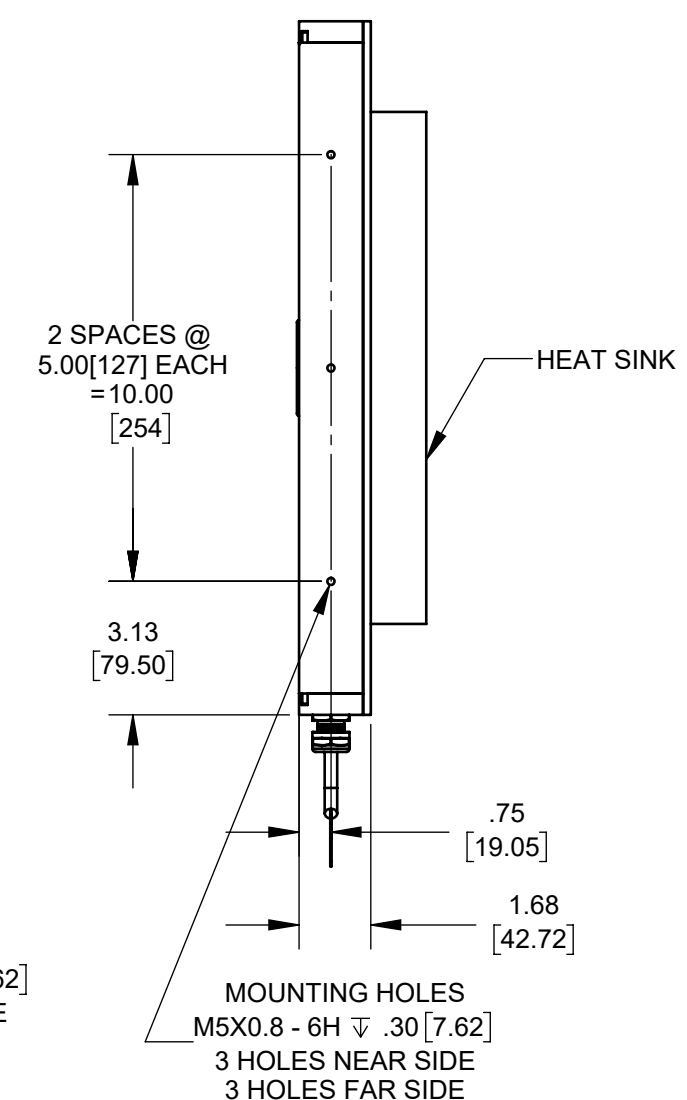
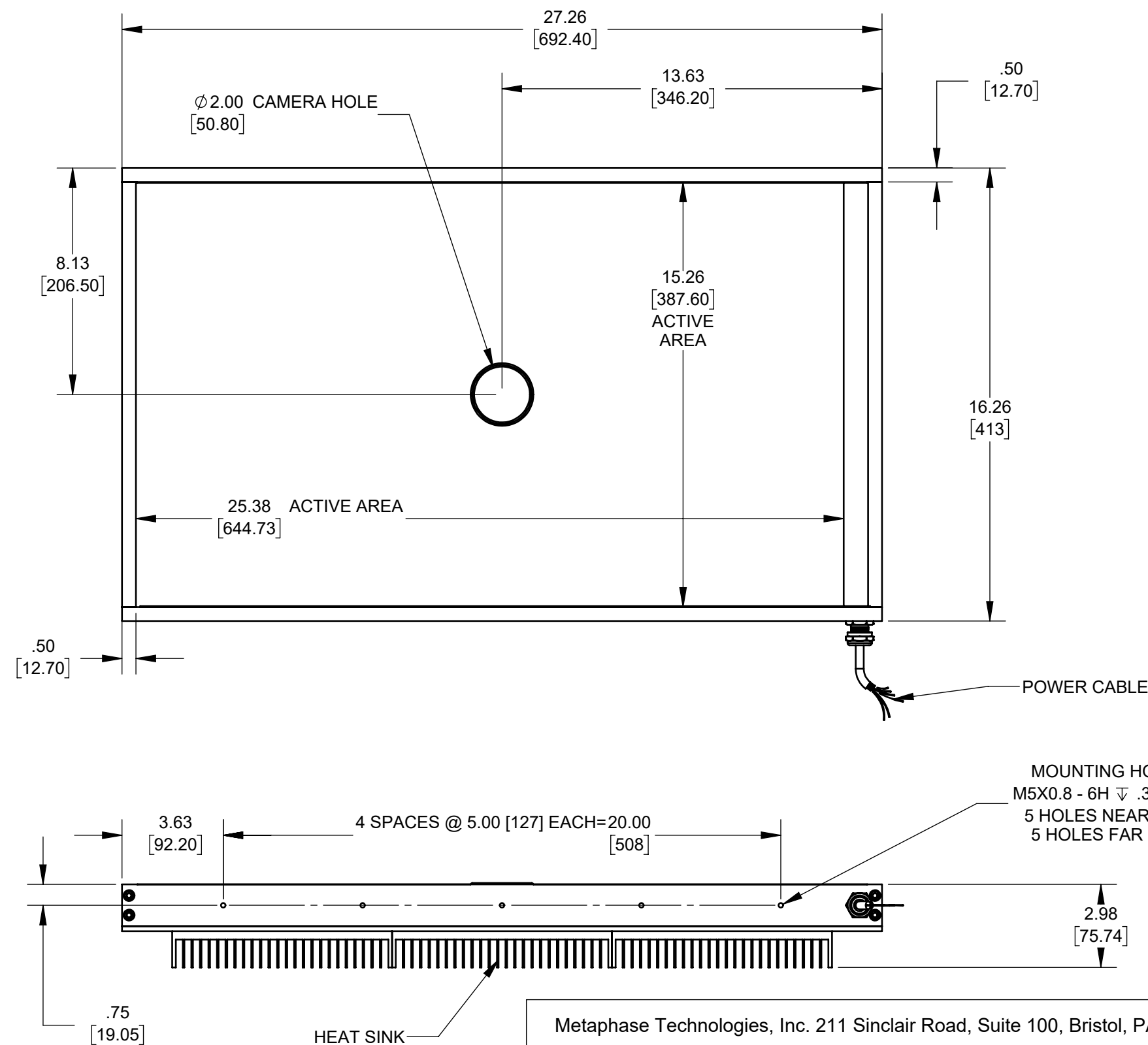


REVISIONS			
REV.	DESCRIPTION	DATE	APPROVED
B	SEPARATE HEAT SINK PART NUMBERS	7/15/2016	
C	CHANGED CENTER CAM HOLE HUB TO THREADED	7/25/2016	
D	USE SAME HEAT SINK AS BLANK VERSION	2/12/2018	



Metaphase Technologies, Inc. 211 Sinclair Road, Suite 100, Bristol, PA. 19007 215-639-8699 Fax 215-639-0977



QUANTITY:	Per order	TOLERANCE/FINISH UNLESS OTHERWISE SPECIFIED	
MATERIAL:	Per BOM	INCHES [MM]	
FINISH:	Black Anodize/ Acrylic Diffuser	X	.X .XX .XXX
TREATMENT:	N/A	[±.76]	±.030 [±.25] ±.010 [±.13] ±.005

THIS DOCUMENT IS THE PROPERTY OF METAPHASE TECHNOLOGIES, INC. WHOM MAY LOAN IT, SUBJECT TO RETURN UPON DEMAND. IT INCLUDES CONFIDENTIAL & PROPRIETARY INFORMATION WHICH MAY NOT BE DISCLOSED TO ANY THIRD PARTY, AND/ OR USED FOR ANY PURPOSE CONTRARY TO IT'S INTENDED USE, WITHOUT THE EXPRESSED PRIOR WRITTEN CONSENT OF METAPHASE TECHNOLOGIES, INC.

TITLE	Top Assy.- Back Light		
USED ON	Per customer		
SIZE	DRAWING NUMBER	REV	
B	MB-OBL15X25-1-1	D	
SCALE 1:8		SHEET 1 OF 1	

Approval Signature _____ Date ____/____/____