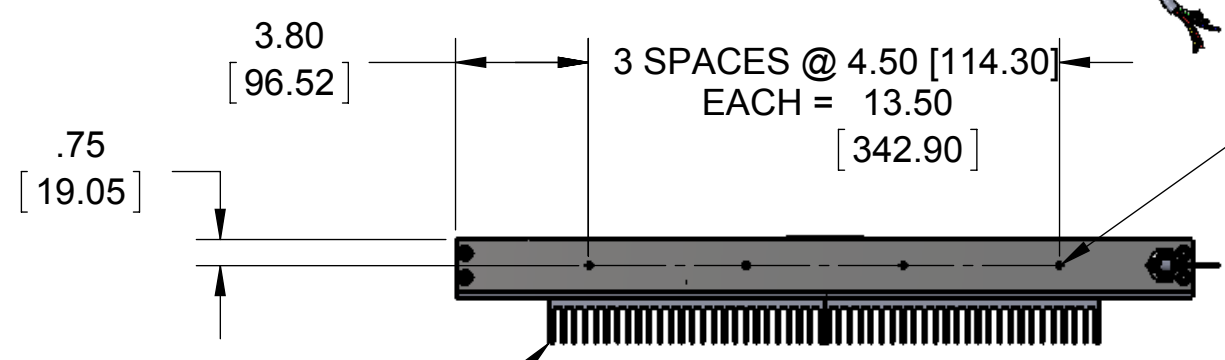
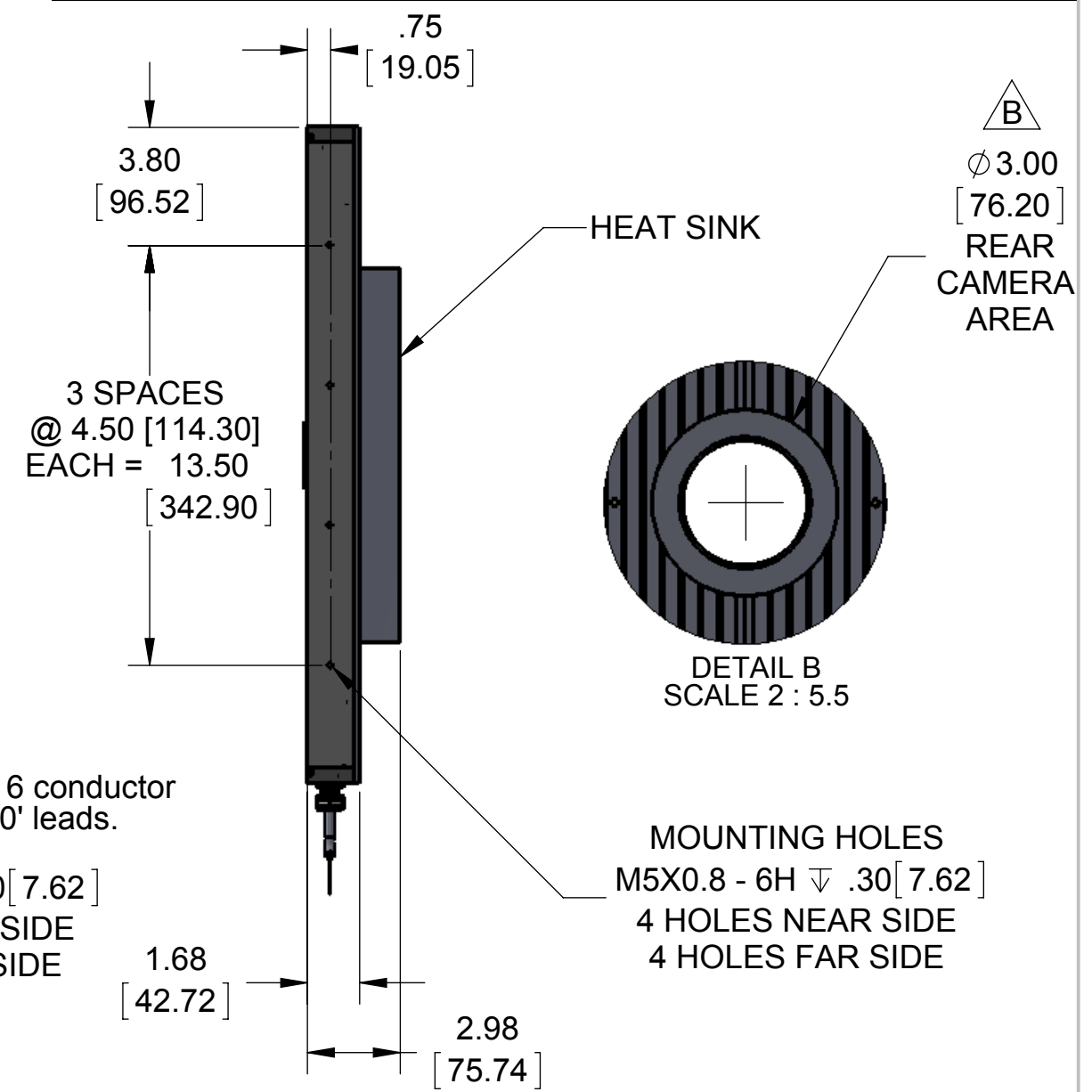


REVISIONS			
REV.	DESCRIPTION	DATE	APPROVED
A	INITIAL RELEASE	6/4/2015	
B	INCREASED REAR CAMERA AREA TO Ø3" [76.2].	6/11/2015	



POWER CABLE
18 AWG Stranded; 6 conductor
w/flying leadwire; 10' leads.

M5X0.8 - 6H ∇ .30 [7.62]
4 HOLES NEAR SIDE
4 HOLES FAR SIDE

MOUNTING HOLES
M5X0.8 - 6H ∇ .30 [7.62]
4 HOLES NEAR SIDE
4 HOLES FAR SIDE

Metaphase Technologies, Inc. 211 Sinclair Road, Suite 100, Bristol, PA. 19007 215-639-8699 Fax 215-639-0977

QUANTITY: Per order	TOLERANCE/FINISH UNLESS OTHERWISE SPECIFIED INCHES[MM] 125√RMS [RA3.2um] X .X .XX .XXX [±.76] [±.030] [±.010] [±.005] ANGLES±1° [±.25] [±.13]
MATERIAL: Per BOM	
FINISH: Black Anodize/ Acrylic Diffuser	
TREATMENT: N/A	

THIS DOCUMENT IS THE PROPERTY OF METAPHASE TECHNOLOGIES, INC. WHOM MAY LOAN IT, SUBJECT TO RETURN UPON DEMAND. IT INCLUDES CONFIDENTIAL & PROPRIETARY INFORMATION WHICH MAY NOT BE DISCLOSED TO ANY THIRD PARTY, AND/ OR USED FOR ANY PURPOSE CONTRARY TO IT'S INTENDED USE, WITHOUT THE EXPRESSED PRIOR WRITTEN CONSENT OF METAPHASE TECHNOLOGIES, INC.



TITLE	Top Assy.- Back Light	
USED ON	Per customer	
SIZE	DRAWING NUMBER	REV
B	MB-OBL20X20-1-1	B
SCALE 1:8	SHEET 1 OF 3	

Approval Signature _____ Date ____/____/____