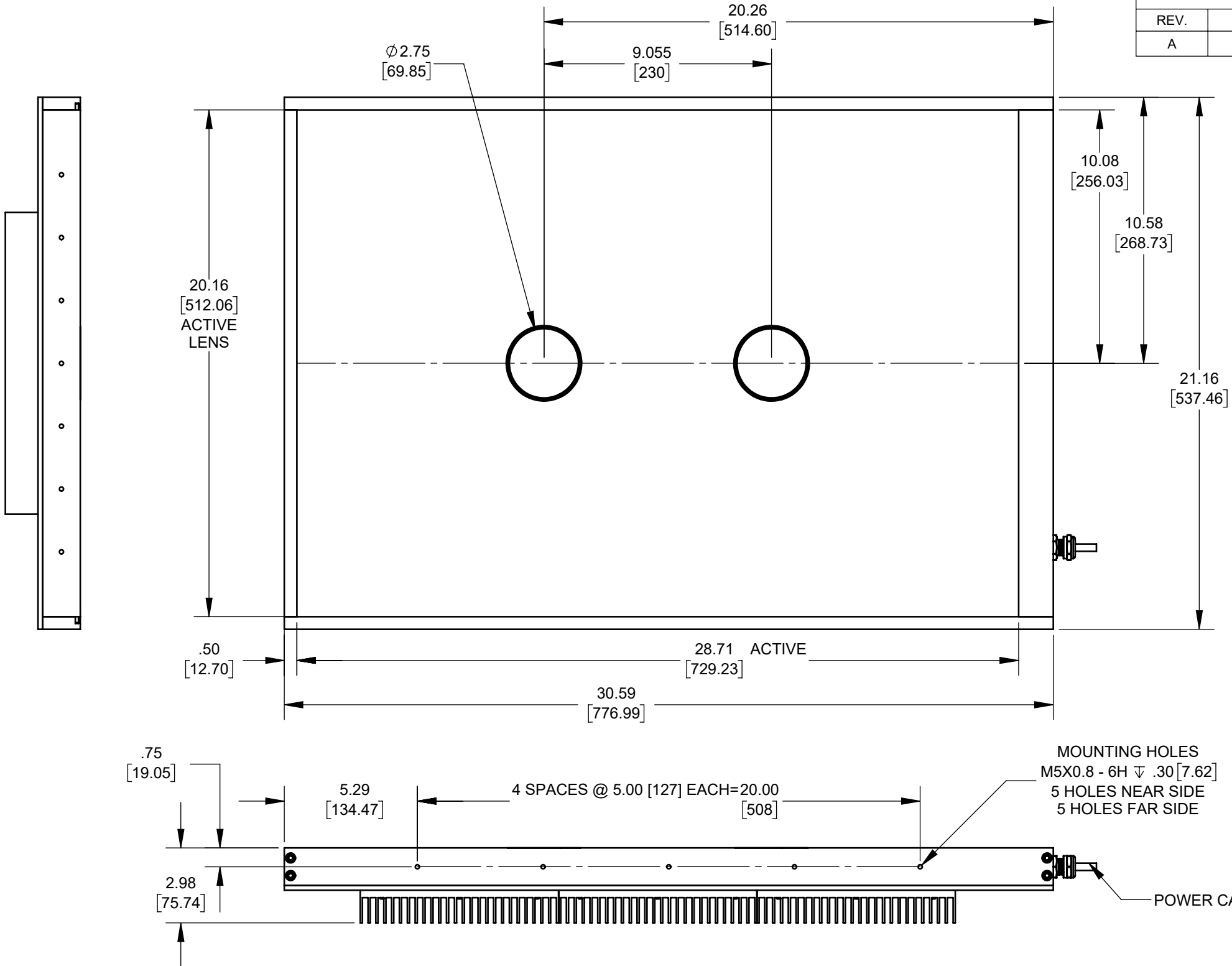


REVISIONS			
REV.	DESCRIPTION	DATE	APPROVED
A	INITIAL RELEASE	01/11/2017	



MOUNTING HOLES  
M5X0.8 - 6H  $\nabla$  .30 [7.62]  
6 HOLES NEAR SIDE  
7 HOLES FAR SIDE .30 [7.62]

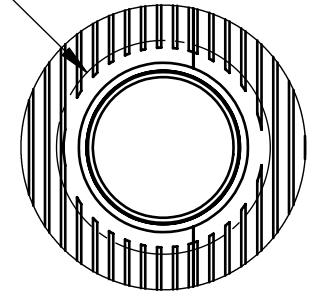
2.50 REPEATING  
[63.50]

5.58 [141.73]  
.75 [19.05]

HEAT SINK

1.68 [42.72]

$\varnothing$ 4.18 [106.05]  
REAR CLEARANCE



MOUNTING HOLES  
M5X0.8 - 6H  $\nabla$  .30 [7.62]  
5 HOLES NEAR SIDE  
5 HOLES FAR SIDE

POWER CABLE

SEE SHEET 2  
FOR REAR MOUNTING  
LOCATIONS

Metaphase Technologies, Inc. 211 Sinclair Road, Suite 100, Bristol, PA. 19007 215-639-8699 Fax 215-639-0977



<b>QUANTITY:</b>	Per order
<b>MATERIAL:</b>	Per BOM
<b>FINISH:</b>	Black Anodize/ Acrylic Diffuser
<b>TREATMENT:</b>	N/A

TOLERANCE/FINISH UNLESS OTHERWISE SPECIFIED				
INCHES [MM]				
X	.X	.XX	.XXX	125 $\sqrt$ RMS [RA3.2um]
[ $\pm$ .76]	[ $\pm$ .030 [ $\pm$ .25]	[ $\pm$ .010 [ $\pm$ .13]	$\pm$ .005	ANGLES $\pm$ 1°

THIS DOCUMENT IS THE PROPERTY OF METAPHASE TECHNOLOGIES, INC. WHOM MAY LOAN IT, SUBJECT TO RETURN UPON DEMAND. IT INCLUDES CONFIDENTIAL & PROPRIETARY INFORMATION WHICH MAY NOT BE DISCLOSED TO ANY THIRD PARTY, AND/ OR USED FOR ANY PURPOSE CONTRARY TO IT'S INTENDED USE, WITHOUT THE EXPRESSED PRIOR WRITTEN CONSENT OF METAPHASE TECHNOLOGIES, INC.

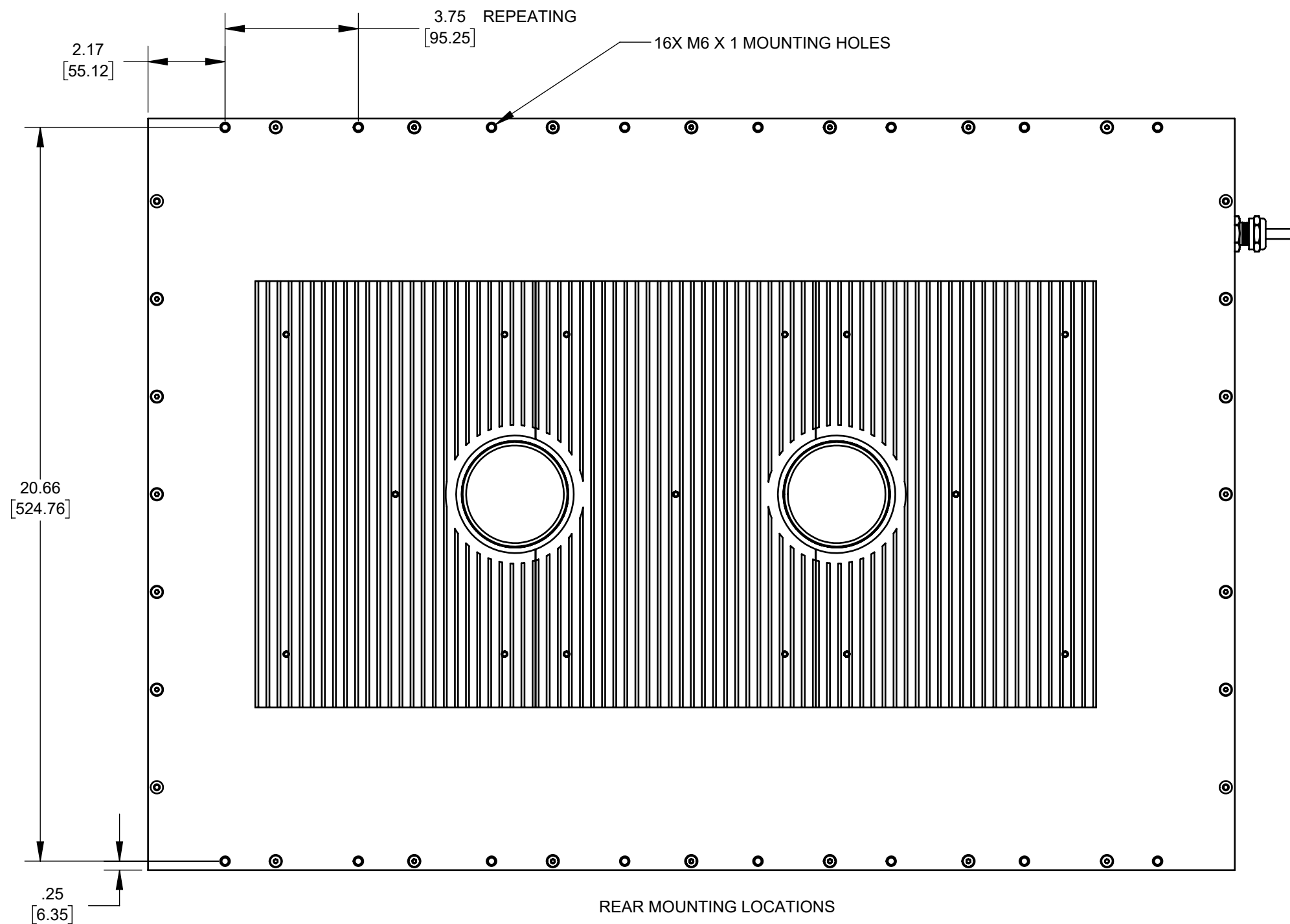
TITLE  
**Assy.- Back Light Dual Camera**

USED ON  
Per customer

SIZE <b>B</b>	DRAWING NUMBER <b>MB-OBL20x28-1</b>	REV <b>A</b>
SCALE 1:8		SHEET 1 OF 2

Approval Signature

/ /  
Date



Metaphase Technologies, Inc. 211 Sinclair Road, Suite 100,  
Bristol, PA. 19007 215-639-8699 Fax 215-639-0977



TOLERANCE/FINISH UNLESS OTHERWISE SPECIFIED				
X	INCHES[MM]			125√RMS [RA3.2um]
	.X	.XX	.XXX	
[±.76]	±.030 [±.25]	±.010 [±.13]	±.005	ANGLES ±1°

FLAT PATTERNS USE 0.5 K FACTOR FOR DESIGN REFERENCE ONLY. ACTUAL VALUE MAY VARY, USE TEST PART AS REQ'D TO VERIFY ACCURACY

THIS DOCUMENT IS THE PROPERTY OF **METAPHASE TECHNOLOGIES, INC.** WHOM MAY LOAN IT, SUBJECT TO RETURN UPON DEMAND. IT INCLUDES CONFIDENTIAL & PROPRIETARY INFORMATION WHICH MAY NOT BE DISCLOSED TO ANY THIRD PARTY, AND/ OR USED FOR ANY PURPOSE CONTRARY TO IT'S INTENDED USE, WITHOUT THE EXPRESSED PRIOR WRITTEN CONSENT OF **METAPHASE TECHNOLOGIES, INC.**

TITLE  
**Assy.- Back Light Dual Camera**

USED ON  
**Per customer**

SIZE <b>B</b>	DRAWING NUMBER <b>MB-OBL20x28-1</b>	REV <b>A</b>
SCALE 1:8	SHEET 2 OF 2	