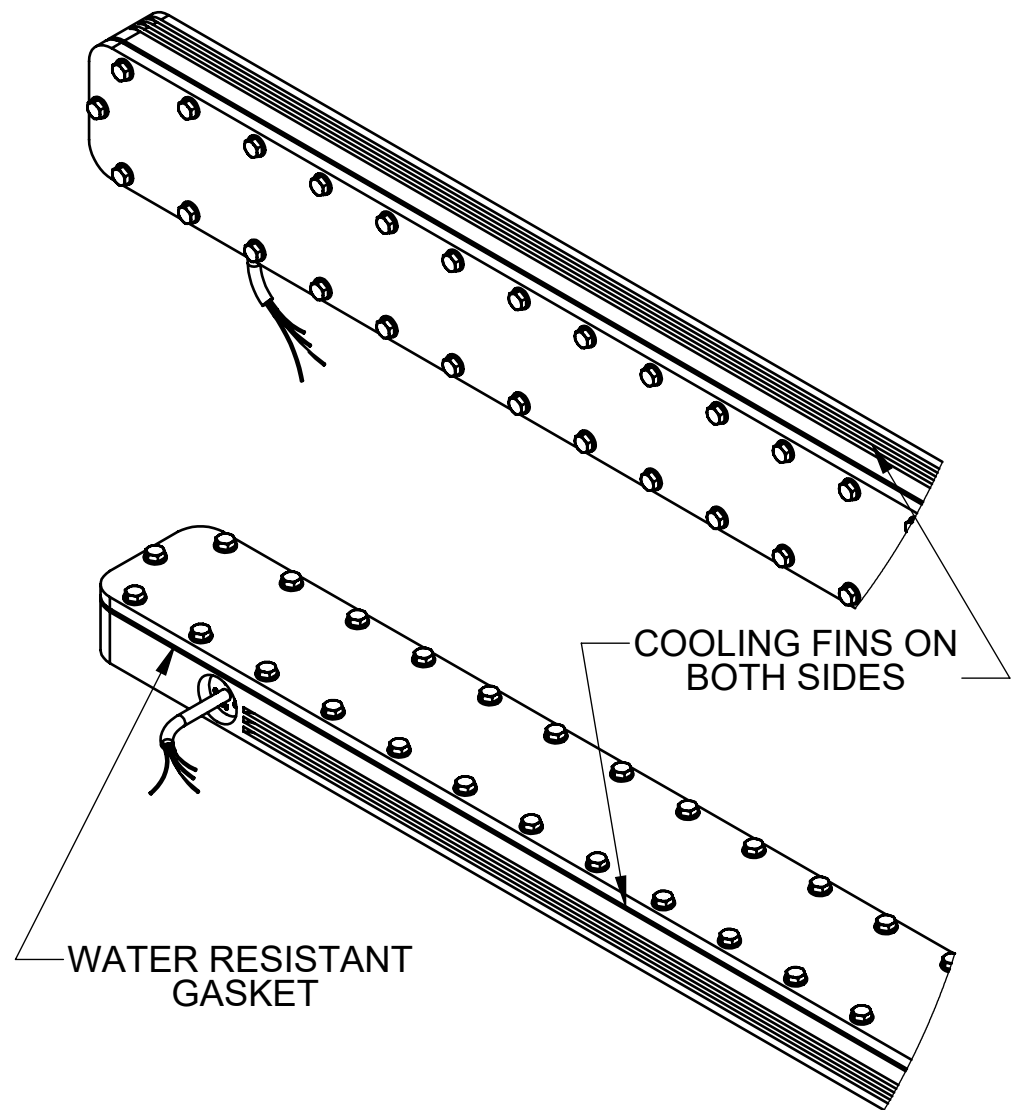
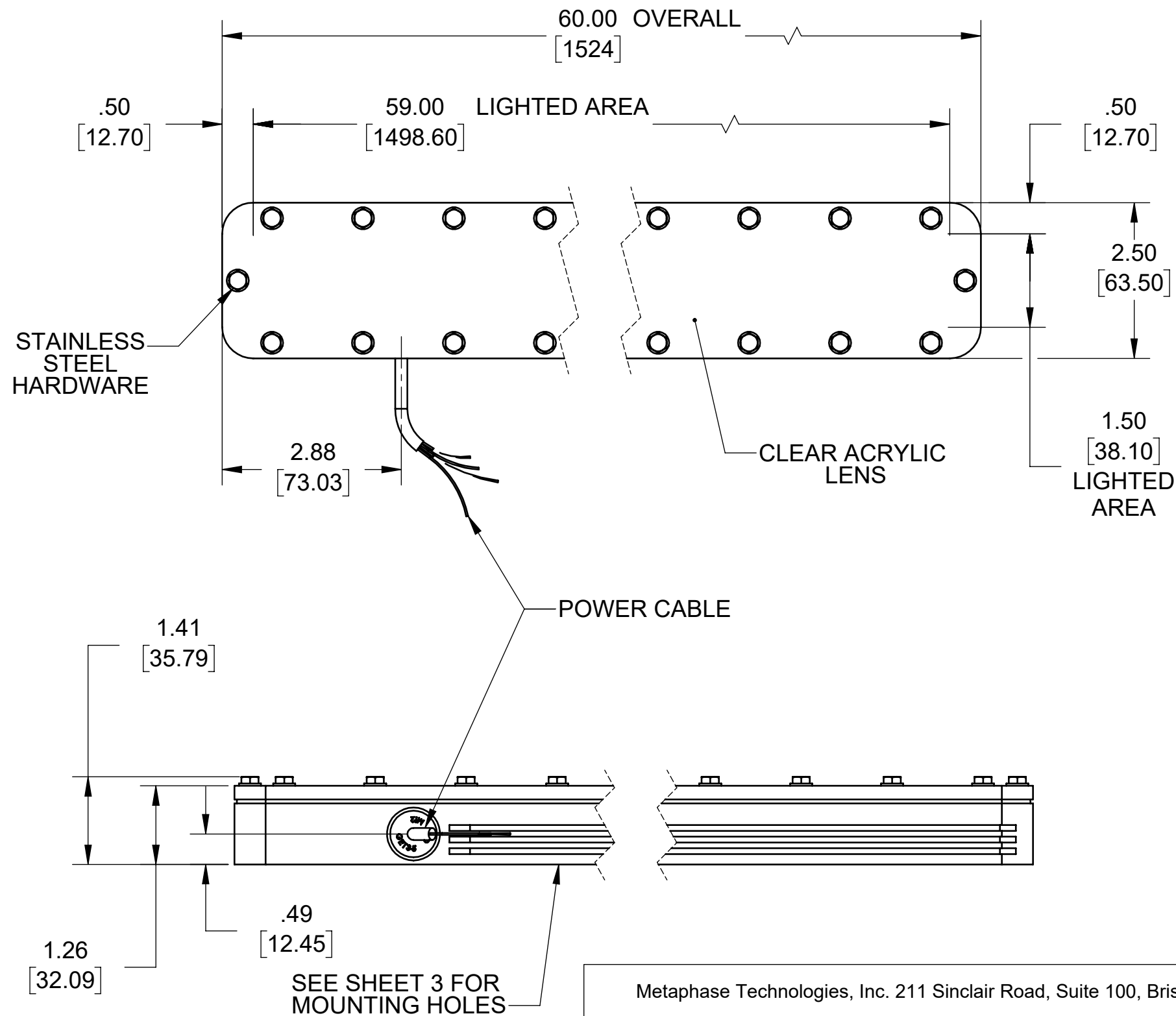


REVISIONS				
REV.	DESCRIPTION	DATE	APPROVED	
A	INITIAL RELEASE	7/18/2014		
B	ADDED END SCREWS - CHANGED FASTENERS TO METRIC - CENTERED POWER CABLE - REPLACED GASKET WITH NEW MATERIAL - REDUCED GASKET OVERALL SIZE TO ELIMINATE BULGING - ADDED LOCKTITE #290 THREAD LOCKER AND PRIMER #7649 TO BOM - SEE SHEET 2.	1/1/2015		
C	CABLE SPEC UPDATE	11/8/2017		
D	REMOVED GASKET ADHESIVE NOTE	2/18/2018		



Metaphase Technologies, Inc. 211 Sinclair Road, Suite 100, Bristol, PA. 19007 215-639-8699 Fax 215-639-0977



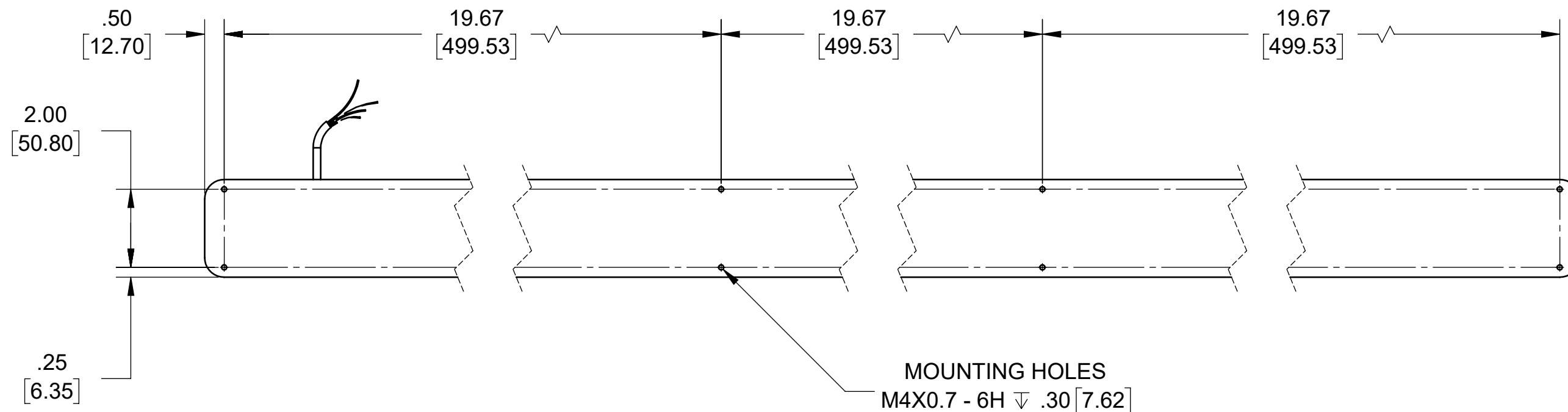
<b>QUANTITY:</b>	Per order	TOLERANCE/FINISH UNLESS OTHERWISE SPECIFIED			
<b>MATERIAL:</b>	Aluminum, plastic	INCHES [MM]			
<b>FINISH:</b>	Black Anodized	X	.X	.XX	.XXX
<b>TREATMENT:</b>	N/A	[±.76]	±.030 [±.25]	±.010 [±.13]	±.005
					125V RMS [RA3.2um]
					ANGLES ±1°

THIS DOCUMENT IS THE PROPERTY OF METAPHASE TECHNOLOGIES, INC. WHOM MAY LOAN IT, SUBJECT TO RETURN UPON DEMAND. IT INCLUDES CONFIDENTIAL & PROPRIETARY INFORMATION WHICH MAY NOT BE DISCLOSED TO ANY THIRD PARTY, AND/ OR USED FOR ANY PURPOSE CONTRARY TO IT'S INTENDED USE, WITHOUT THE EXPRESSED PRIOR WRITTEN CONSENT OF METAPHASE TECHNOLOGIES, INC.

TITLE		
Top Assy.; RoBo Light- 60"		
USED ON		
Per customer		
SIZE	DRAWING NUMBER	REV
B	MB-RBL-1005-1	D
SCALE 1:4		SHEET 1 OF 2

SEE SHEET 2 FOR EXPLODED VIEW AND BOM.

Approval Signature \_\_\_\_\_ / / Date \_\_\_\_\_



Metaphase Technologies, Inc. 211 Sinclair Road, Suite 100,  
Bristol, PA. 19007 215-639-8699 Fax 215-639-0977



TOLERANCE/FINISH  
UNLESS OTHERWISE SPECIFIED

X	INCHES[MM]			125√RMS
	.X	.XX	.XXX	[RA3.2um]
[±.76]	±.030 [±.25]	±.010 [±.13]	±.005	ANGLES ±1°

FLAT PATTERNS USE 0.5 K FACTOR FOR DESIGN  
REFERENCE ONLY. ACTUAL VALUE MAY VARY,  
USE TEST PART AS REQ'D TO VERIFY ACCURACY

THIS DOCUMENT IS THE PROPERTY OF  
**METAPHASE TECHNOLOGIES, INC.** WHOM MAY  
LOAN IT, SUBJECT TO RETURN UPON DEMAND.  
IT INCLUDES CONFIDENTIAL & PROPRIETARY  
INFORMATION WHICH MAY NOT BE DISCLOSED  
TO ANY THIRD PARTY, AND/ OR USED FOR  
ANY PURPOSE CONTRARY TO IT'S INTENDED  
USE, WITHOUT THE EXPRESSED PRIOR WRITTEN  
CONSENT OF **METAPHASE TECHNOLOGIES, INC.**

TITLE  
Top Assy.; RoBo Light- 60"

USED ON  
Per customer

SIZE <b>B</b>	DRAWING NUMBER <b>MB-RBL-1005-1</b>	REV <b>D</b>
SCALE 1:4	SHEET 2 OF 2	