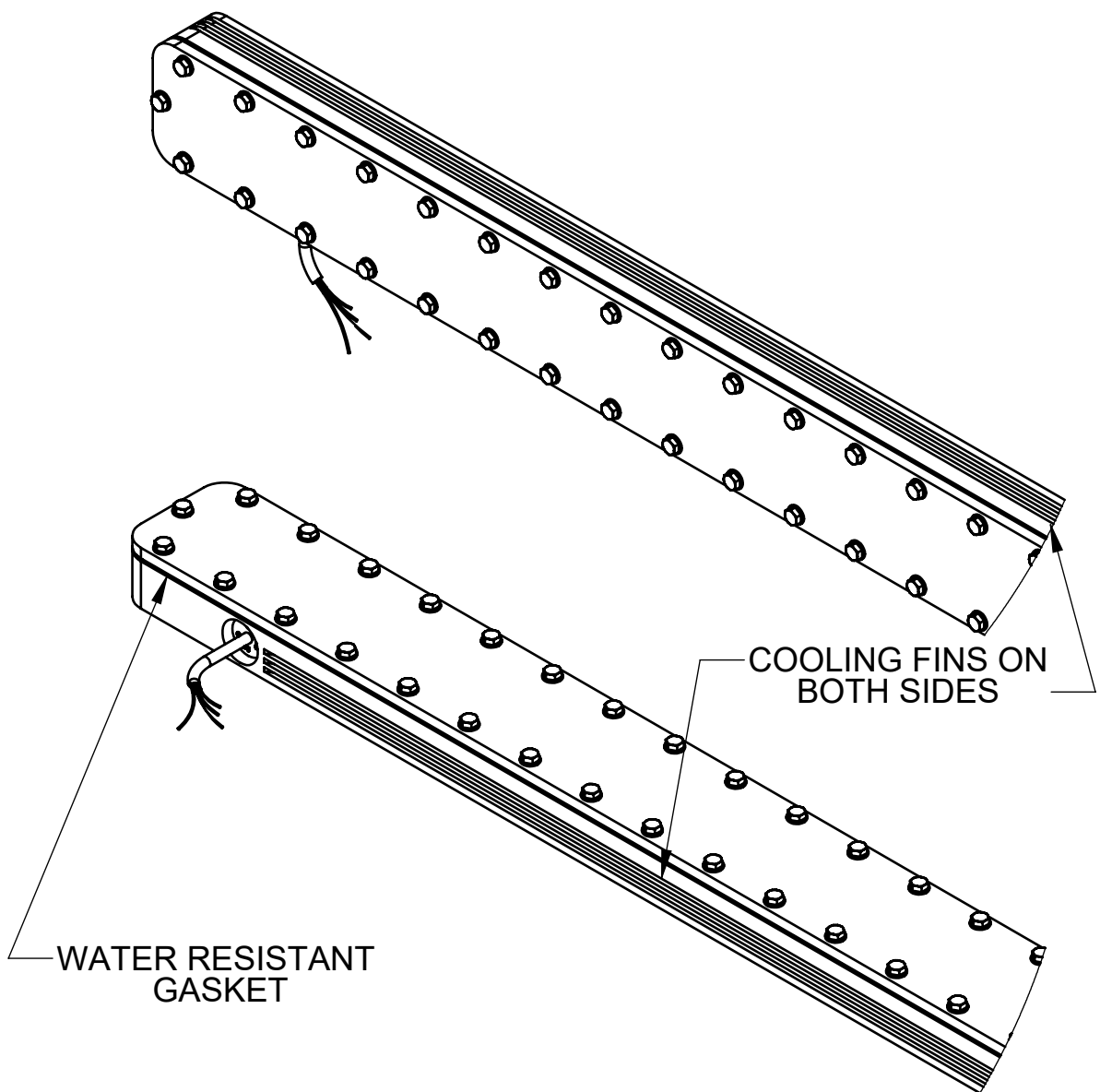
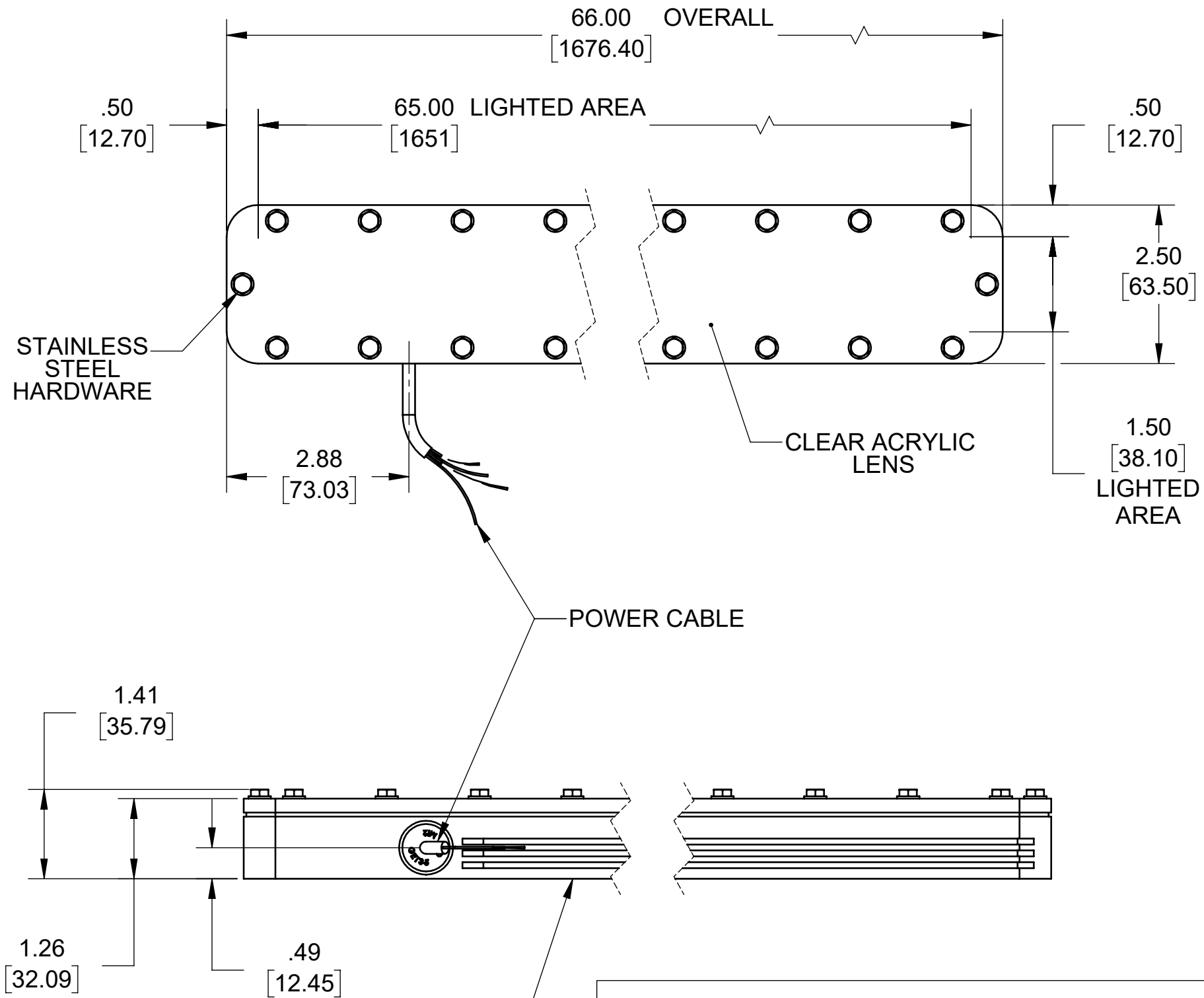


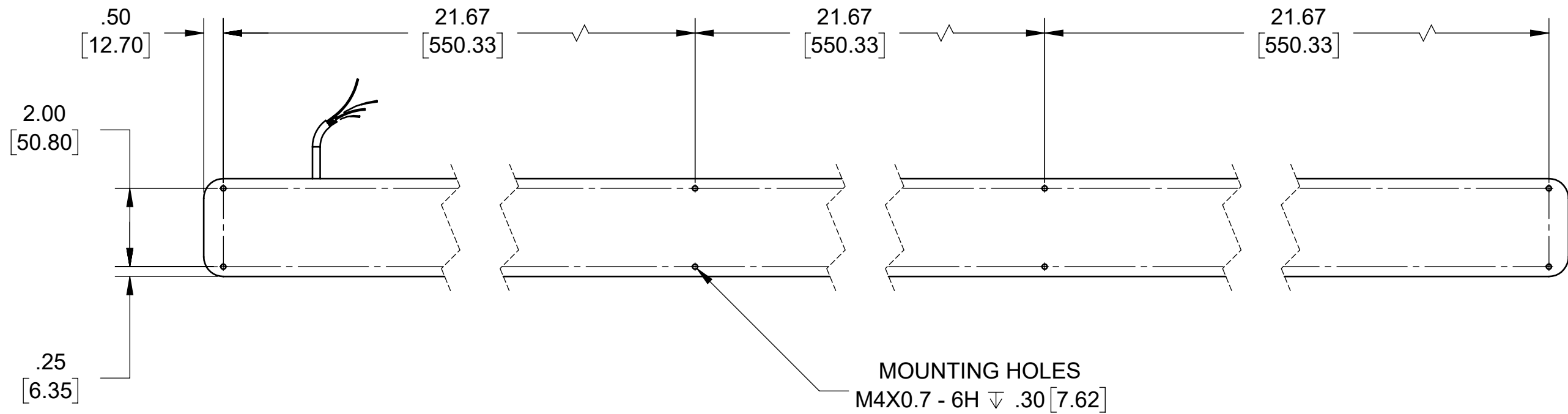
| REVISIONS |   |           |          |  |
|-----------|---|-----------|----------|--|
| REV.      | DESCRIPTION   | DATE      | APPROVED |  |
| A         | INITIAL RELEASE   | 7/18/2014 |          |  |
| B         | ADDED END SCREWS - CHANGED FASTENERS TO METRIC - CENTERED POWER CABLE - REPLACED GASKET WITH NEW MATERIAL - REDUCED GASKET OVERALL SIZE TO ELIMINATE BULGING - ADDED LOCKTITE #290 THREAD LOCKER AND PRIMER #7649 TO BOM - SEE SHEET 2. | 1/5/2015  |          |  |
| C         | CABLE SPEC UPDATE   | 11/8/2017 |          |  |
| D         | REMOVED GASKET ADHESIVE NOTE  | 2/18/2018 |          |  |



SEE SHEET 3 FOR MOUNTING HOLES  
SEE SHEET 2 FOR EXPLODED VIEW AND BOM.

Approval Signature \_\_\_\_\_ / / Date \_\_\_\_\_

| Metaphase Technologies, Inc. 211 Sinclair Road, Suite 100, Bristol, PA. 19007 215-639-8699 Fax 215-639-0977 |  |  |                               |                    |  |                    |   |    |     |      |            |        |              |              |       |  |  |  |
|---|--|--|-------------------------------|--------------------|--|--------------------|---|----|-----|------|------------|--------|--------------|--------------|-------|--|--|--|
| QUANTITY: Per order   | TOLERANCE/FINISH UNLESS OTHERWISE SPECIFIED  | THIS DOCUMENT IS THE PROPERTY OF METAPHASE TECHNOLOGIES, INC. WHOM MAY LOAN IT, SUBJECT TO RETURN UPON DEMAND. IT INCLUDES CONFIDENTIAL & PROPRIETARY INFORMATION WHICH MAY NOT BE DISCLOSED TO ANY THIRD PARTY, AND/ OR USED FOR ANY PURPOSE CONTRARY TO IT'S INTENDED USE, WITHOUT THE EXPRESSED PRIOR WRITTEN CONSENT OF METAPHASE TECHNOLOGIES, INC. |                               |                    |  |                    |   |    |     |      |            |        |              |              |       |  |  |  |
| MATERIAL: Aluminum, plastic   | <table border="1"> <thead> <tr> <th colspan="4">INCHES [MM]</th> <th>125V RMS [RA3.2um]</th> </tr> </thead> <tbody> <tr> <td>X</td> <td>.X</td> <td>.XX</td> <td>.XXX</td> <td>ANGLES ±1°</td> </tr> <tr> <td>[±.76]</td> <td>±.030 [±.25]</td> <td>±.010 [±.13]</td> <td>±.005</td> <td></td> </tr> </tbody> </table> | INCHES [MM]  |                               |                    |  | 125V RMS [RA3.2um] | X | .X | .XX | .XXX | ANGLES ±1° | [±.76] | ±.030 [±.25] | ±.010 [±.13] | ±.005 |  | TITLE: Top Assy.; RoBo Light- 66"<br>USED ON: Per customer |  |
| INCHES [MM]   |  |  |                               | 125V RMS [RA3.2um] |  |                    |   |    |     |      |            |        |              |              |       |  |  |  |
| X   | .X   | .XX  | .XXX                          | ANGLES ±1°         |  |                    |   |    |     |      |            |        |              |              |       |  |  |  |
| [±.76]  | ±.030 [±.25]   | ±.010 [±.13]   | ±.005                         |                    |  |                    |   |    |     |      |            |        |              |              |       |  |  |  |
| FINISH: Black Anodized  |  | SIZE: B  | DRAWING NUMBER: MB-RBL-1105-1 | REV: D             |  |                    |   |    |     |      |            |        |              |              |       |  |  |  |
| TREATMENT: N/A  |  | SCALE 1:4 SHEET 1 OF 2   |                               |                    |  |                    |   |    |     |      |            |        |              |              |       |  |  |  |



MOUNTING HOLES  
M4X0.7 - 6H  $\nabla$  .30 [7.62]

Metaphase Technologies, Inc. 211 Sinclair Road, Suite 100,  
Bristol, PA. 19007 215-639-8699 Fax 215-639-0977



TOLERANCE/FINISH  
UNLESS OTHERWISE SPECIFIED

| X      | INCHES[MM]      |                 |       | 125√RMS<br>[RA3.2um] |
|--------|-----------------|-----------------|-------|----------------------|
|        | .X              | .XX             | .XXX  |                      |
| [±.76] | ±.030<br>[±.25] | ±.010<br>[±.13] | ±.005 | ANGLES ±1°           |

FLAT PATTERNS USE 0.5 K FACTOR FOR DESIGN  
REFERENCE ONLY. ACTUAL VALUE MAY VARY,  
USE TEST PART AS REQ'D TO VERIFY ACCURACY

THIS DOCUMENT IS THE PROPERTY OF  
**METAPHASE TECHNOLOGIES, INC.** WHOM MAY  
LOAN IT, SUBJECT TO RETURN UPON DEMAND.  
IT INCLUDES CONFIDENTIAL & PROPRIETARY  
INFORMATION WHICH MAY NOT BE DISCLOSED  
TO ANY THIRD PARTY, AND/ OR USED FOR  
ANY PURPOSE CONTRARY TO IT'S INTENDED  
USE, WITHOUT THE EXPRESSED PRIOR WRITTEN  
CONSENT OF **METAPHASE TECHNOLOGIES, INC.**

TITLE  
**Top Assy.; RoBo Light- 66"**

USED ON  
**Per customer**

|                  |  |                 |
|------------------|--|-----------------|
| SIZE<br><b>B</b> | DRAWING NUMBER<br><b>MB-RBL-1105-1</b> | REV<br><b>D</b> |
| SCALE<br>1:4     | SHEET 2 OF 2                           |                 |