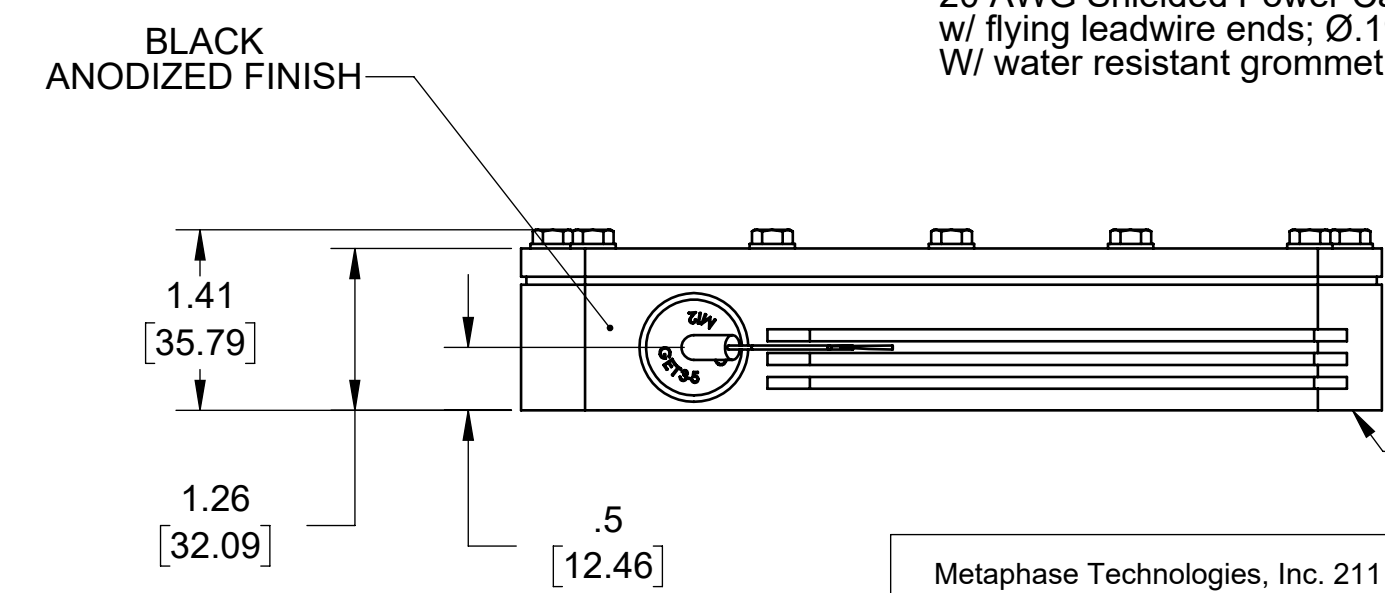


STAINLESS STEEL HARDWARE

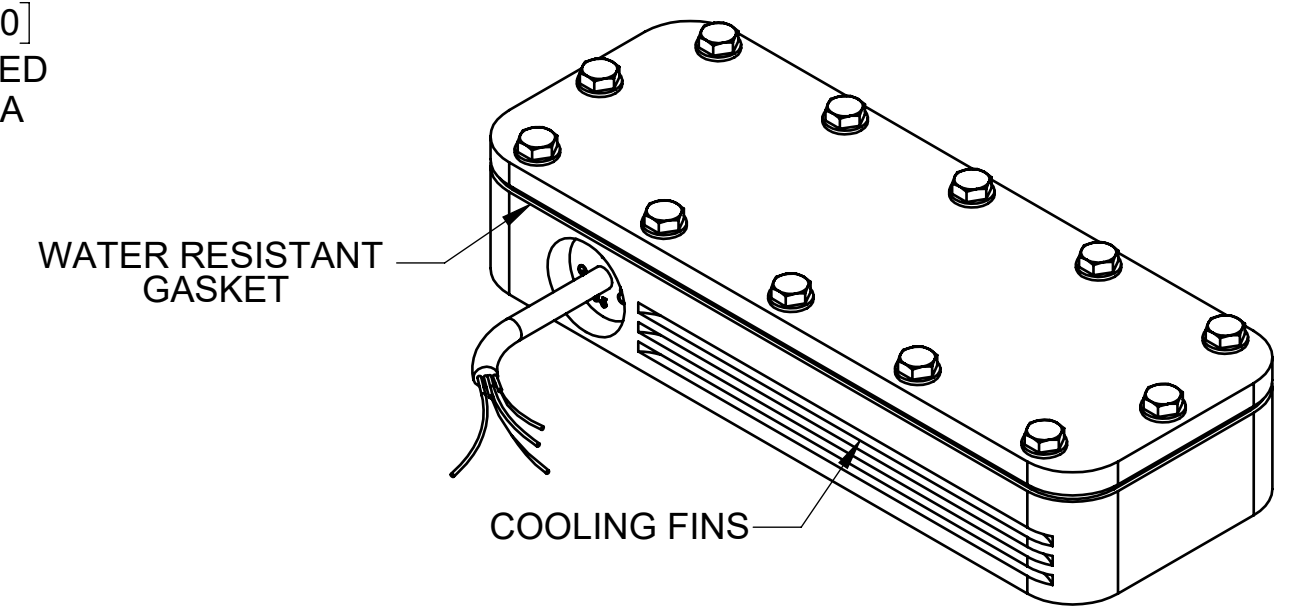
CLEAR ACRYLIC LENS

POWER CABLE
Gore High Flex
20 AWG Shielded Power Cable; 4 conductor
w/ flying leadwire ends; Ø.19"/ 10' Lg.
W/ water resistant grommet.



SEE SHEET 3 FOR MOUNTING HOLES

REVISIONS			
REV.	DESCRIPTION	DATE	APPROVED
A	INITIAL RELEASE	7/18/2014	
B	ADDED END SCREWS; CHANGED FASTENERS TO METRIC; CENTERED POWER CABLE; REPLACED GASKET W/ NEW MATERIAL; REDUCED GASKET OVERALL SIZE TO ELIMINATE BULGING.	12/22/2014	
C	ADDED LOCTITE #222 THREADLOCKER AND PRIMER #7649 TO BOM- SEE SHEET 2.	12/24/2014	
D	CHANGED LOCTITE TO #290	12/24/2014	
E	CORRECTED ACTIVE DIMS	7/21/2017	
F	CABLE SPECIFICATIONS UPDATED	2/14/2018	
G	REMOVED GASKET ADHESIVE NOTE	2/18/2018	



SEE SHEET 2 FOR EXPLODED VIEW AND BOM.

Metaphase Technologies, Inc. 211 Sinclair Road, Suite 100, Bristol, PA. 19007 215-639-8699 Fax 215-639-0977



QUANTITY:	Per order
MATERIAL:	Aluminum, Acrylic
FINISH:	Black Anodized
TREATMENT:	N/A

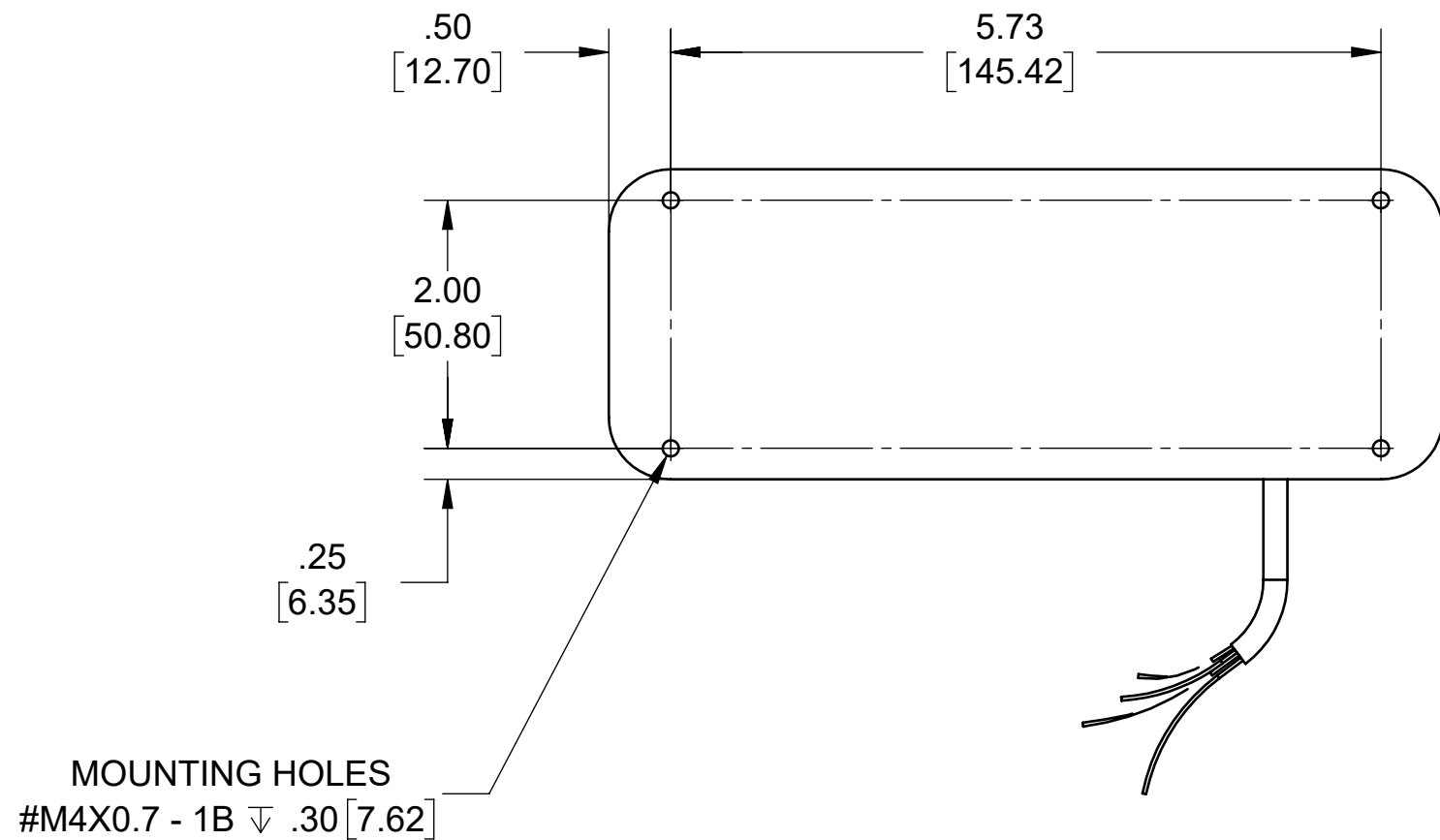
TOLERANCE/FINISH UNLESS OTHERWISE SPECIFIED				
INCHES [MM]				125√RMS [RA3.2um]
X	.X	.XX	.XXX	ANGLES ±1°
[±.76]	±.030 [±.25]	±.010 [±.13]	±.005	

THIS DOCUMENT IS THE PROPERTY OF METAPHASE TECHNOLOGIES, INC. WHOM MAY LOAN IT, SUBJECT TO RETURN UPON DEMAND. IT INCLUDES CONFIDENTIAL & PROPRIETARY INFORMATION WHICH MAY NOT BE DISCLOSED TO ANY THIRD PARTY, AND/ OR USED FOR ANY PURPOSE CONTRARY TO IT'S INTENDED USE, WITHOUT THE EXPRESSED PRIOR WRITTEN CONSENT OF METAPHASE TECHNOLOGIES, INC.

TITLE	Top Assy.; RoBo Light- 6"		
USED ON	Per customer		
SIZE	DRAWING NUMBER	REV	
B	MB-RBL-205-1	G	
SCALE 1:4		SHEET 1 OF 2	

Approval Signature _____

/ /
Date



Metaphase Technologies, Inc. 211 Sinclair Road, Suite 100,
Bristol, PA. 19007 215-639-8699 Fax 215-639-0977



TOLERANCE/FINISH UNLESS OTHERWISE SPECIFIED				
INCHES[MM]				125√RMS [RA3.2um]
X	.X	.XX	.XXX	
[±.76]	±.030 [±.25]	±.010 [±.13]	±.005	ANGLES ±1°

FLAT PATTERNS USE 0.5 K FACTOR FOR DESIGN
REFERENCE ONLY. ACTUAL VALUE MAY VARY,
USE TEST PART AS REQ'D TO VERIFY ACCURACY

THIS DOCUMENT IS THE PROPERTY OF
METAPHASE TECHNOLOGIES, INC. WHOM MAY
LOAN IT, SUBJECT TO RETURN UPON DEMAND.
IT INCLUDES CONFIDENTIAL & PROPRIETARY
INFORMATION WHICH MAY NOT BE DISCLOSED
TO ANY THIRD PARTY, AND/ OR USED FOR
ANY PURPOSE CONTRARY TO IT'S INTENDED
USE, WITHOUT THE EXPRESSED PRIOR WRITTEN
CONSENT OF **METAPHASE TECHNOLOGIES, INC.**

TITLE
Top Assy.; RoBo Light- 6"

USED ON
Per customer

SIZE B	DRAWING NUMBER MB-RBL-205-1	REV G
SCALE 1:4	SHEET 2 OF 2	