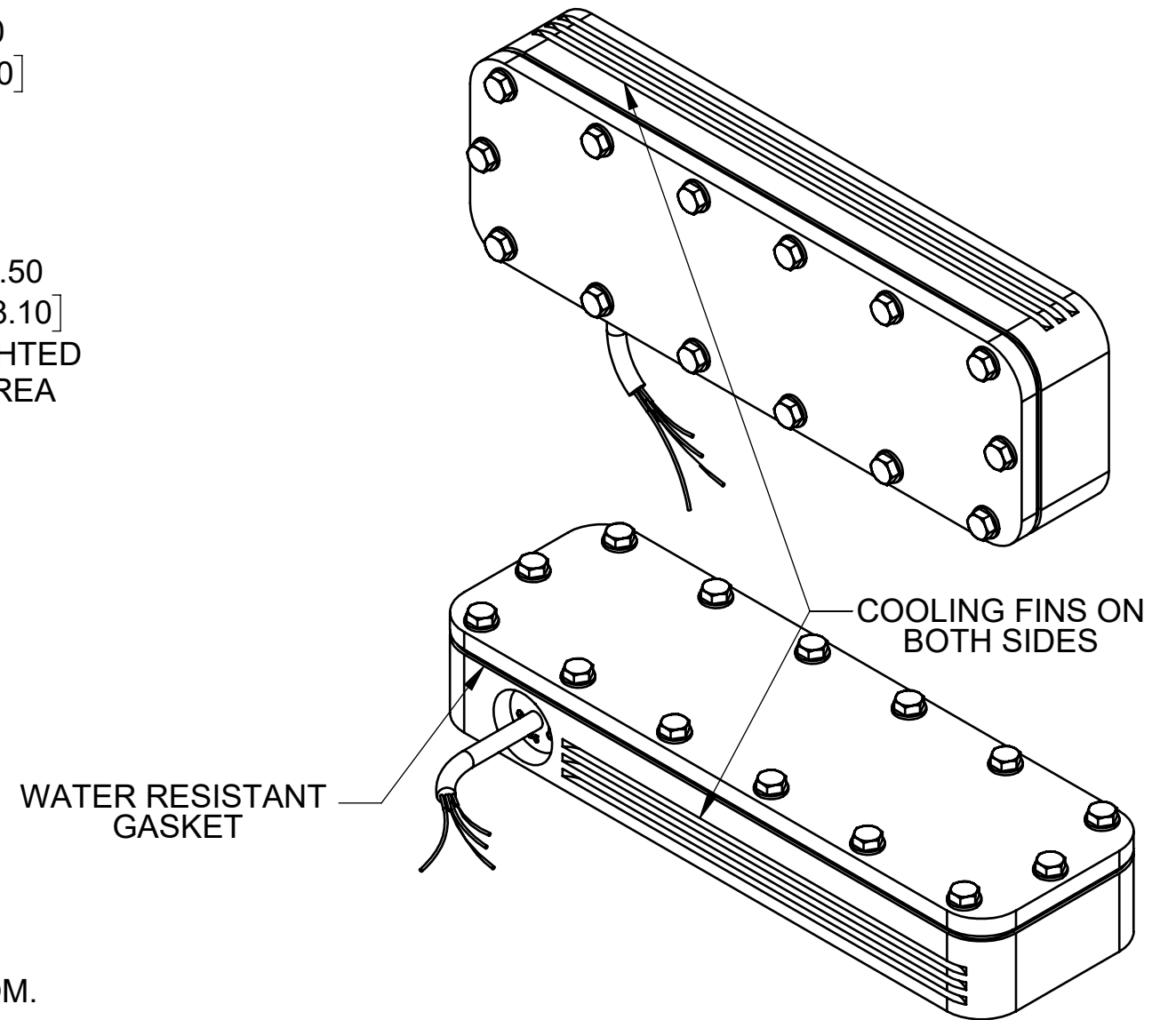


REVISIONS			
REV.	DESCRIPTION	DATE	APPROVED
A	INITIAL RELEASE	7/18/2014	
B	ADDED END SCREWS; CHANGED FASTENERS TO METRIC; REPLACED GASKET W/ NEW MATERIAL; REDUCED GASKET OVERALL SIZE TO ELIMINATE BULGING; CHANGED POWER CABLE TO 20AWG.; CHANGED GROMMET TO MATCH CORD; ADDED LOCTITE #290 THREADLOCKER AND PRIMER #7649 TO BOM- SEE SHEET 2.	1/15/2015	
C	REMOVED GASKET ADHESIVE NOTE	2/18/2018	



SEE SHEET 2 FOR EXPLODED VIEW AND BOM.

SEE SHEET 3 FOR MOUNTING HOLES

Metaphase Technologies, Inc. 211 Sinclair Road, Suite 100, Bristol, PA. 19007 215-639-8699 Fax 215-639-0977

QUANTITY:	Per order
MATERIAL:	Aluminum, Acrylic
FINISH:	Black Anodized
TREATMENT:	N/A

TOLERANCE/FINISH UNLESS OTHERWISE SPECIFIED				
INCHES [MM]				125V RMS [RA3.2um]
X	.X	.XX	.XXX	ANGLES ±1°
[±.76]	±.030 [±.25]	±.010 [±.13]	±.005	

THIS DOCUMENT IS THE PROPERTY OF METAPHASE TECHNOLOGIES, INC. WHOM MAY LOAN IT, SUBJECT TO RETURN UPON DEMAND. IT INCLUDES CONFIDENTIAL & PROPRIETARY INFORMATION WHICH MAY NOT BE DISCLOSED TO ANY THIRD PARTY, AND/ OR USED FOR ANY PURPOSE CONTRARY TO IT'S INTENDED USE, WITHOUT THE EXPRESSED PRIOR WRITTEN CONSENT OF METAPHASE TECHNOLOGIES, INC.



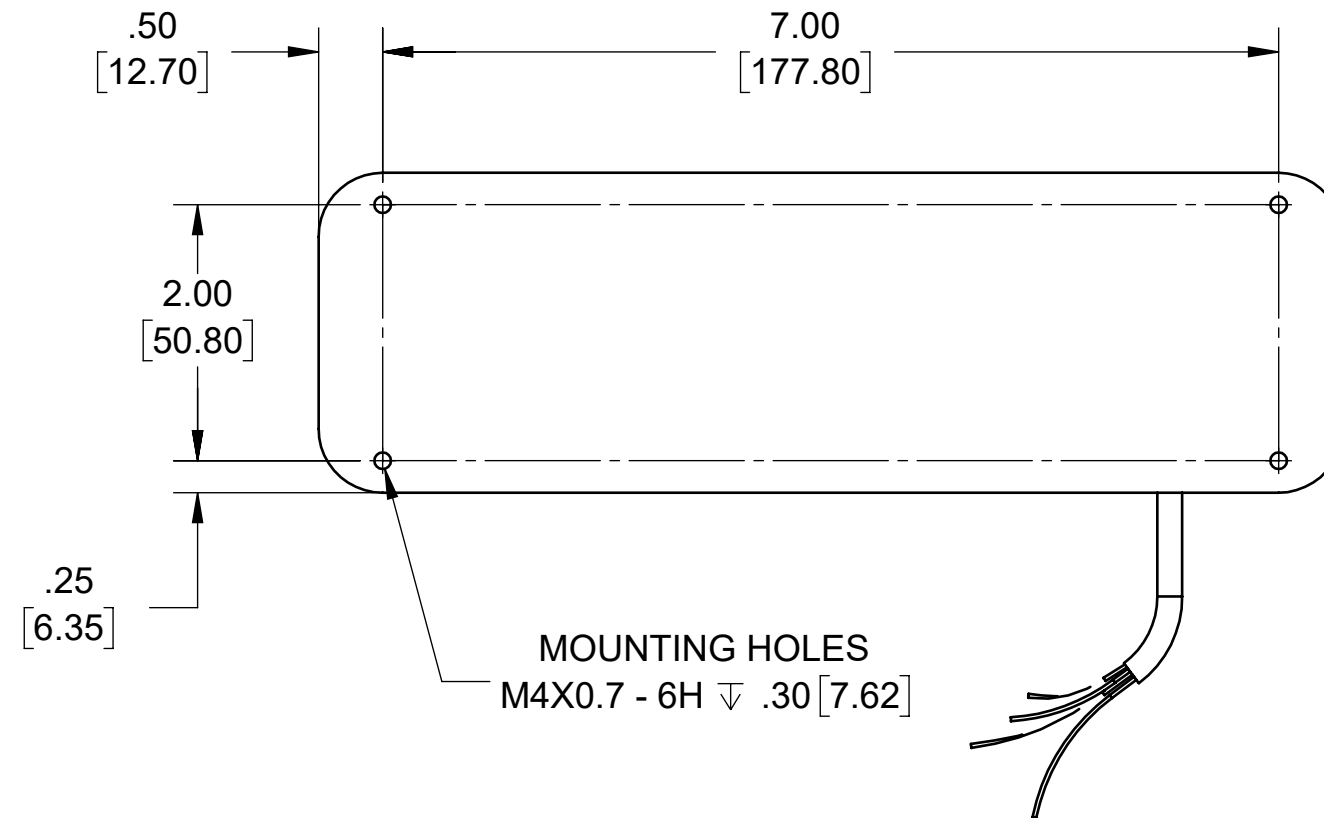
TITLE
 Top Assy.; RoBo Light- 8"

USED ON
 Per customer

SIZE B	DRAWING NUMBER MB-RBL-285-1	REV C
SCALE 1:4		SHEET 1 OF 2

Approval Signature

/ /
 Date



Metaphase Technologies, Inc. 211 Sinclair Road, Suite 100
Bristol, PA. 19007 215-639-8699 Fax 215-639-0977



TOLERANCE/FINISH UNLESS OTHERWISE SPECIFIED				
INCHES [MM]				125√RMS [RA3.2um]
X	.X	.XX	.XXX	
[±.76]	±.030 [±.25]	±.010 [±.13]	±.005	ANGLES ±1°

THIS DOCUMENT IS THE PROPERTY OF METAPHASE TECHNOLOGIES, INC. WHOM MAY LOAN IT, SUBJECT TO RETURN UPON DEMAND. IT INCLUDES CONFIDENTIAL & PROPRIETARY INFORMATION WHICH MAY NOT BE DISCLOSED TO ANY THIRD PARTY, AND/ OR USED FOR ANY PURPOSE CONTRARY TO IT'S INTENDED USE, WITHOUT THE EXPRESSED PRIOR WRITTEN CONSENT OF METAPHASE TECHNOLOGIES, INC.

TITLE
Top Assy.; RoBo Light- 8"

USED ON
Per customer

SIZE B	DRAWING NUMBER MB-RBL-285-1	REV C
SCALE 1:4		SHEET 2 OF 2