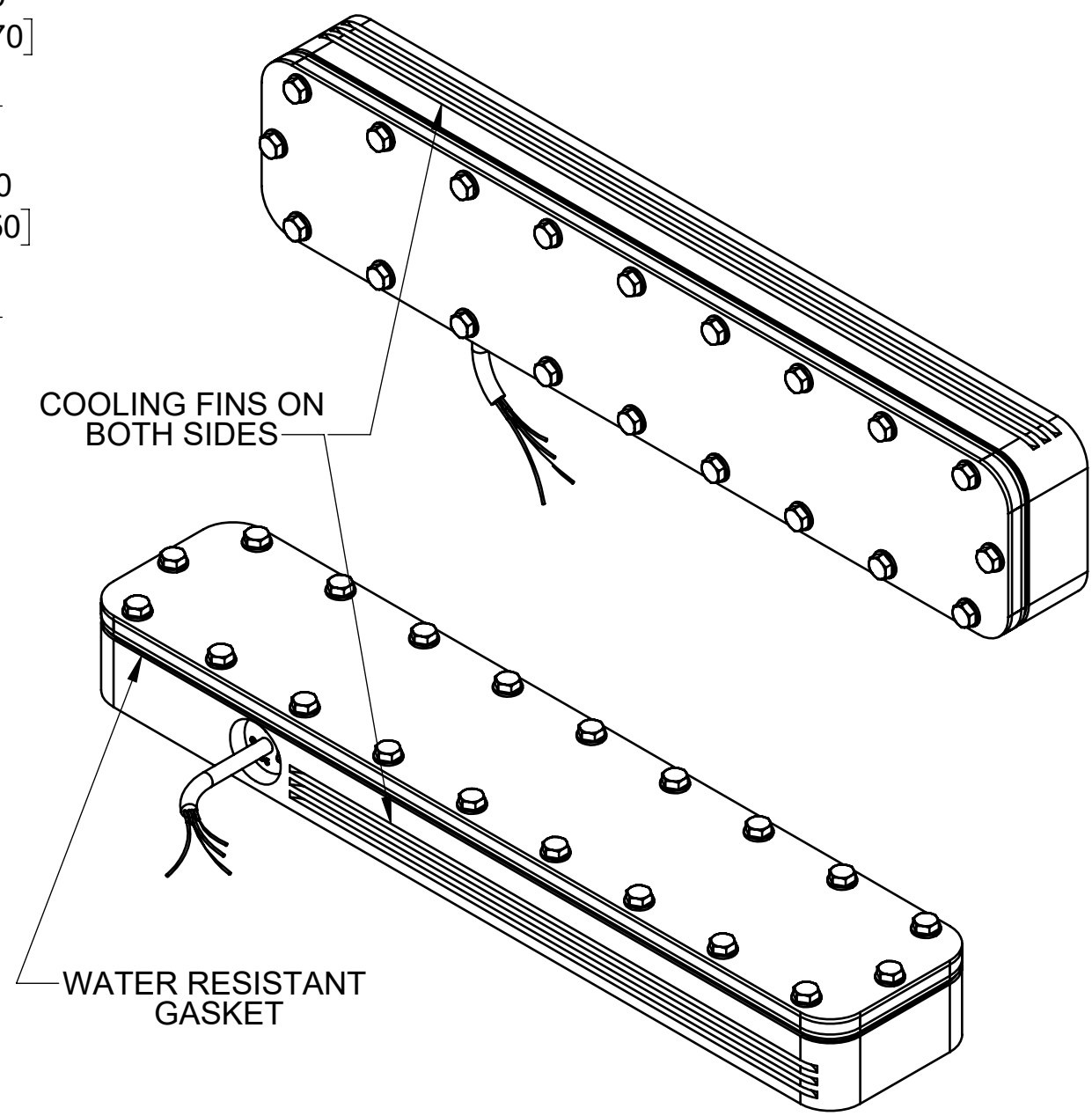
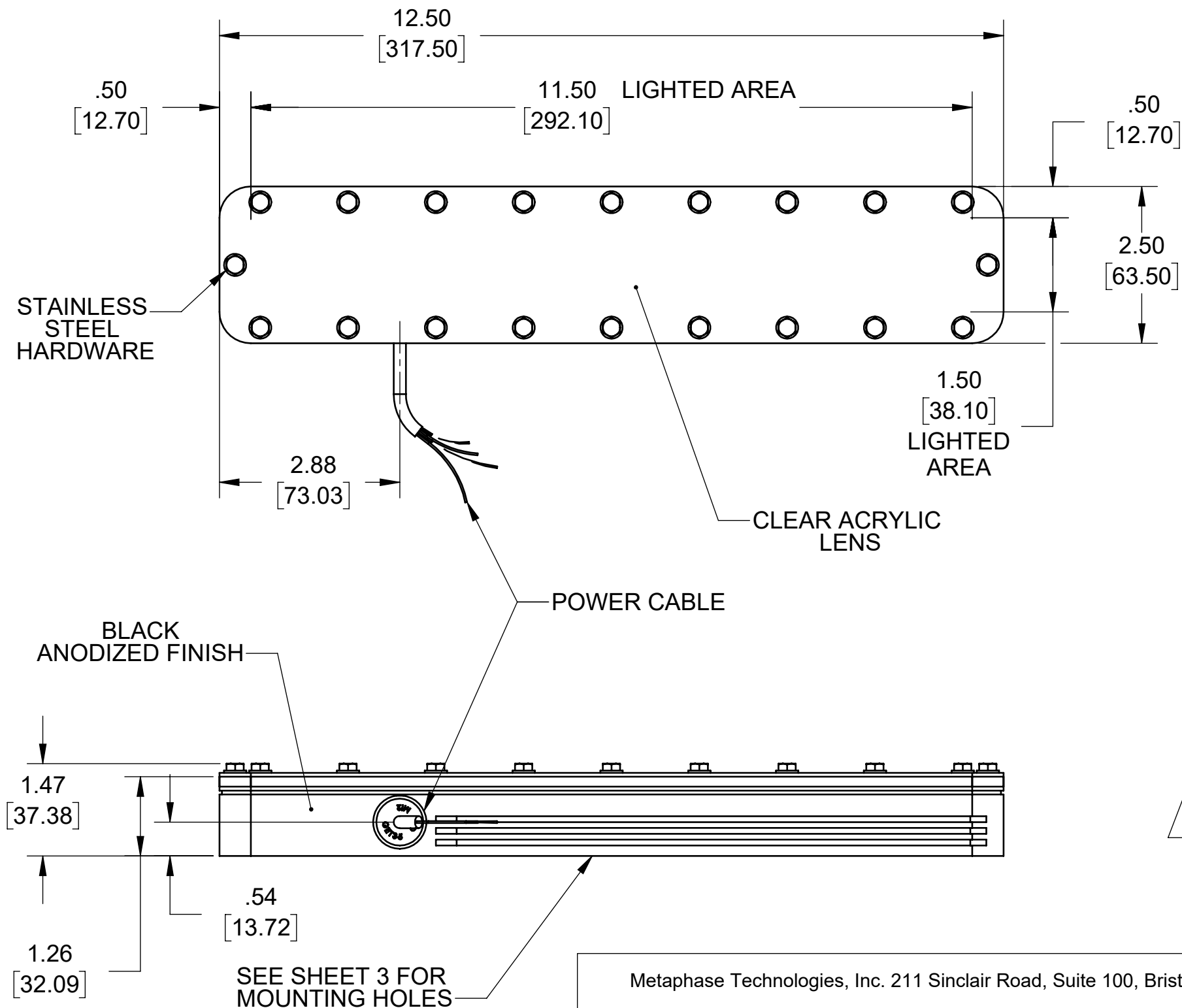


REVISIONS			
REV.	DESCRIPTION	DATE	APPROVED
A	INITIAL RELEASE	7/18/2014	
B	ADDED END SCREWS - FASTENERS TO METRIC - CENTER PWR CABLE - GASKET NEW MATERIAL - REDUCED GASKET SIZE TO ELIMINATE BULGING - ADDED LOCKTITE #290 AND PRIMER #7649	12/28/2014	
C	ADDED ALT LENS FOR 365NM	2/15/2018	



Metaphase Technologies, Inc. 211 Sinclair Road, Suite 100, Bristol, PA. 19007 215-639-8699 Fax 215-639-0977			
QUANTITY:	Per order	TOLERANCE/FINISH UNLESS OTHERWISE SPECIFIED	
MATERIAL:	Aluminum, plastic	INCHES [MM]	
FINISH:	Black Anodized	X	.X .XX .XXX
TREATMENT:	N/A	[±.76]	±.030 [±.25] ±.010 [±.13] ±.005
			125√RMS [RA3.2um] ANGLES ±1°

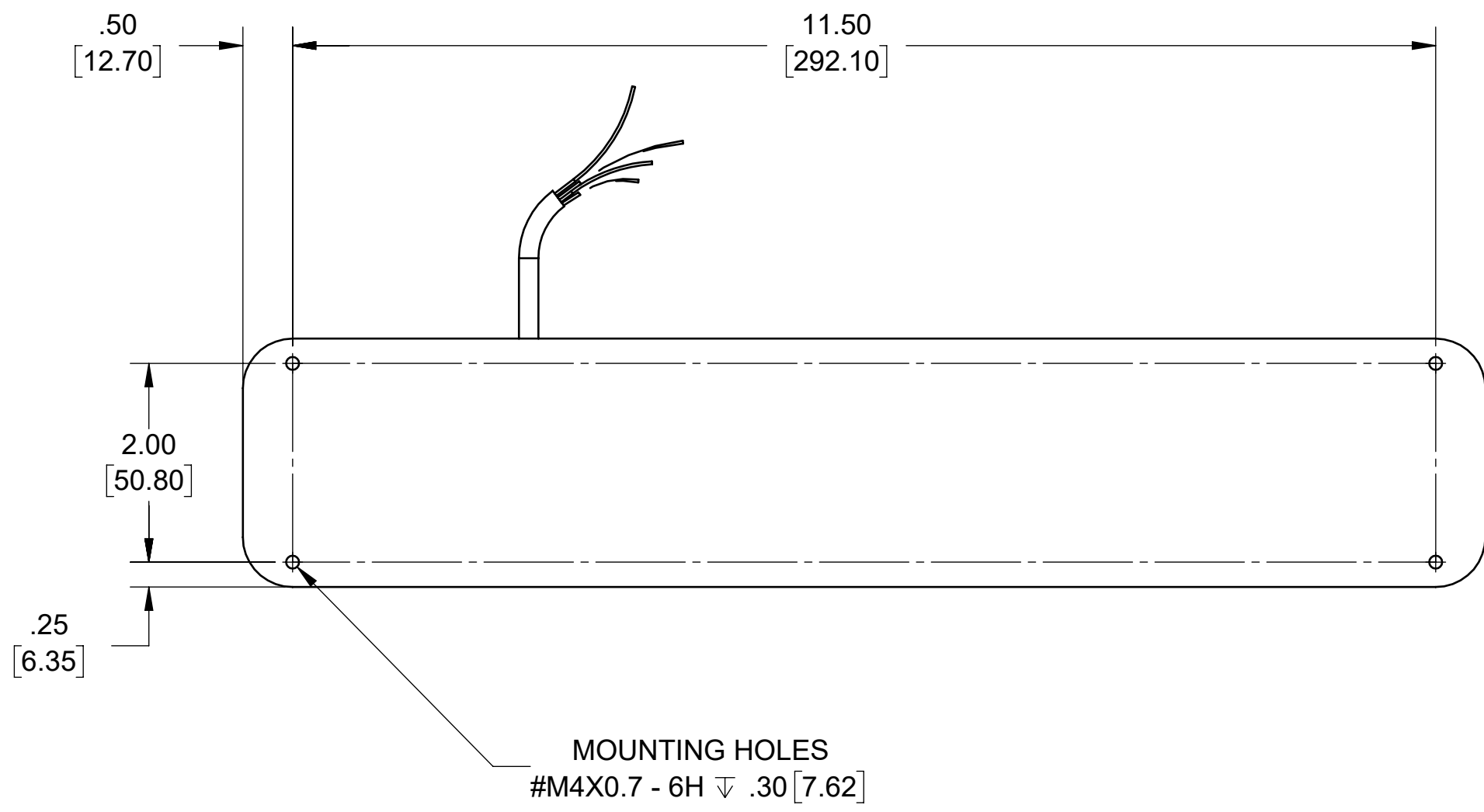
THIS DOCUMENT IS THE PROPERTY OF METAPHASE TECHNOLOGIES, INC. WHOM MAY LOAN IT, SUBJECT TO RETURN UPON DEMAND. IT INCLUDES CONFIDENTIAL & PROPRIETARY INFORMATION WHICH MAY NOT BE DISCLOSED TO ANY THIRD PARTY, AND/ OR USED FOR ANY PURPOSE CONTRARY TO IT'S INTENDED USE, WITHOUT THE EXPRESSED PRIOR WRITTEN CONSENT OF METAPHASE TECHNOLOGIES, INC.



TITLE Top Assy.; RoBo Light- 12"		
USED ON Per customer		
SIZE B	DRAWING NUMBER MB-RBL-305-1	REV C
SCALE 1:4		SHEET 1 OF 2

Approval Signature _____

/ /
Date



Metaphase Technologies, Inc. 211 Sinclair Road, Suite 100,
Bristol, PA. 19007 215-639-8699 Fax 215-639-0977



TOLERANCE/FINISH
UNLESS OTHERWISE SPECIFIED

X	INCHES[MM]			125√RMS [RA3.2um]
	.X	.XX	.XXX	
[±.76]	±.030 [±.25]	±.010 [±.13]	±.005	ANGLES ±1°

FLAT PATTERNS USE 0.5 K FACTOR FOR DESIGN
REFERENCE ONLY. ACTUAL VALUE MAY VARY,
USE TEST PART AS REQ'D TO VERIFY ACCURACY

THIS DOCUMENT IS THE PROPERTY OF
METAPHASE TECHNOLOGIES, INC. WHOM MAY
LOAN IT, SUBJECT TO RETURN UPON DEMAND.
IT INCLUDES CONFIDENTIAL & PROPRIETARY
INFORMATION WHICH MAY NOT BE DISCLOSED
TO ANY THIRD PARTY, AND/ OR USED FOR
ANY PURPOSE CONTRARY TO IT'S INTENDED
USE, WITHOUT THE EXPRESSED PRIOR WRITTEN
CONSENT OF **METAPHASE TECHNOLOGIES, INC.**

TITLE
Top Assy.; RoBo Light- 12"

USED ON
Per customer

SIZE B	DRAWING NUMBER MB-RBL-305-1	REV C
SCALE 1:4	SHEET 2 OF 2	