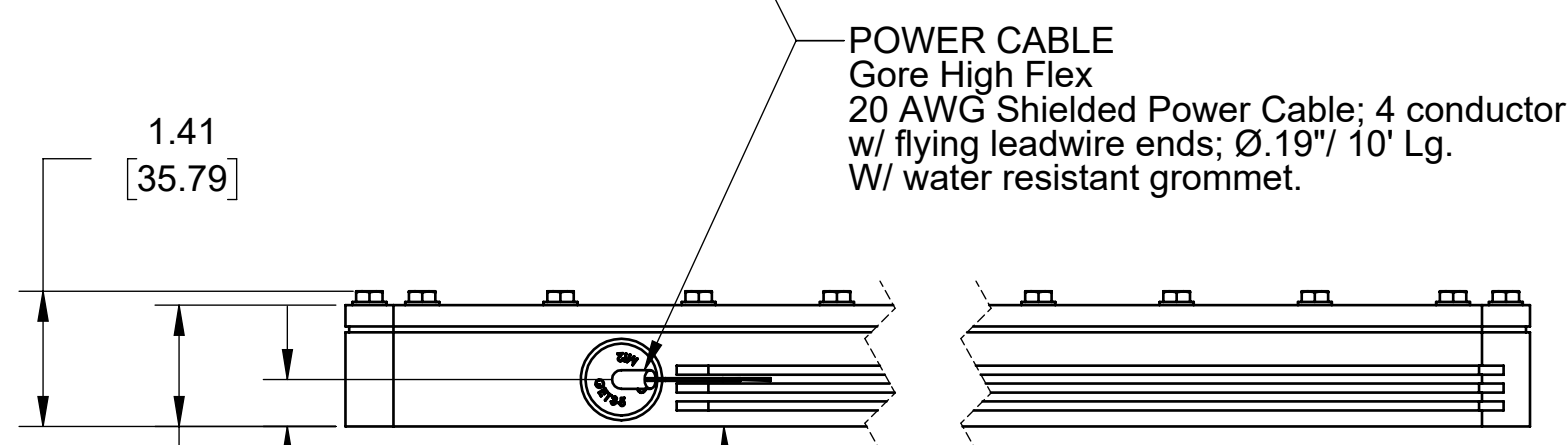
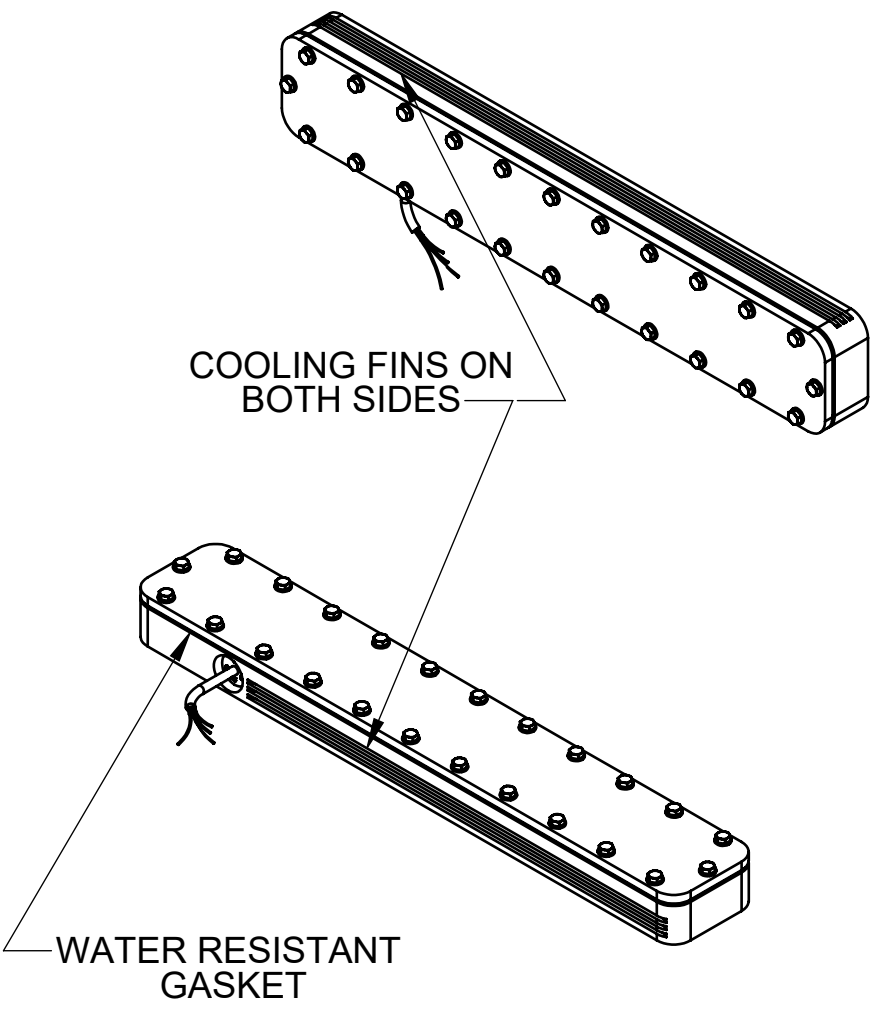
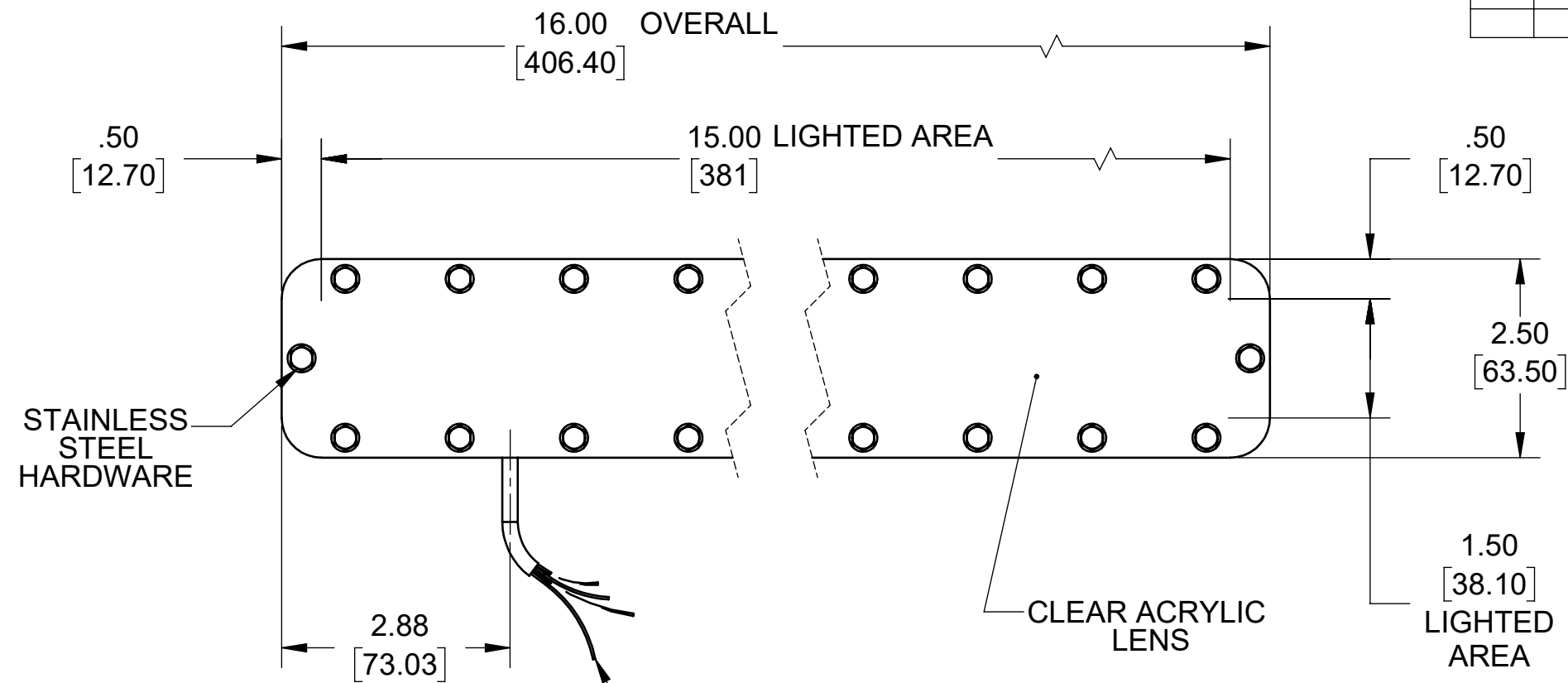


REVISIONS			
REV.	DESCRIPTION	DATE	APPROVED
A	INITIAL RELEASE	2/4/2015	
B	REMOVED GASKET ADHESIVE NOTE	2/18/2018	

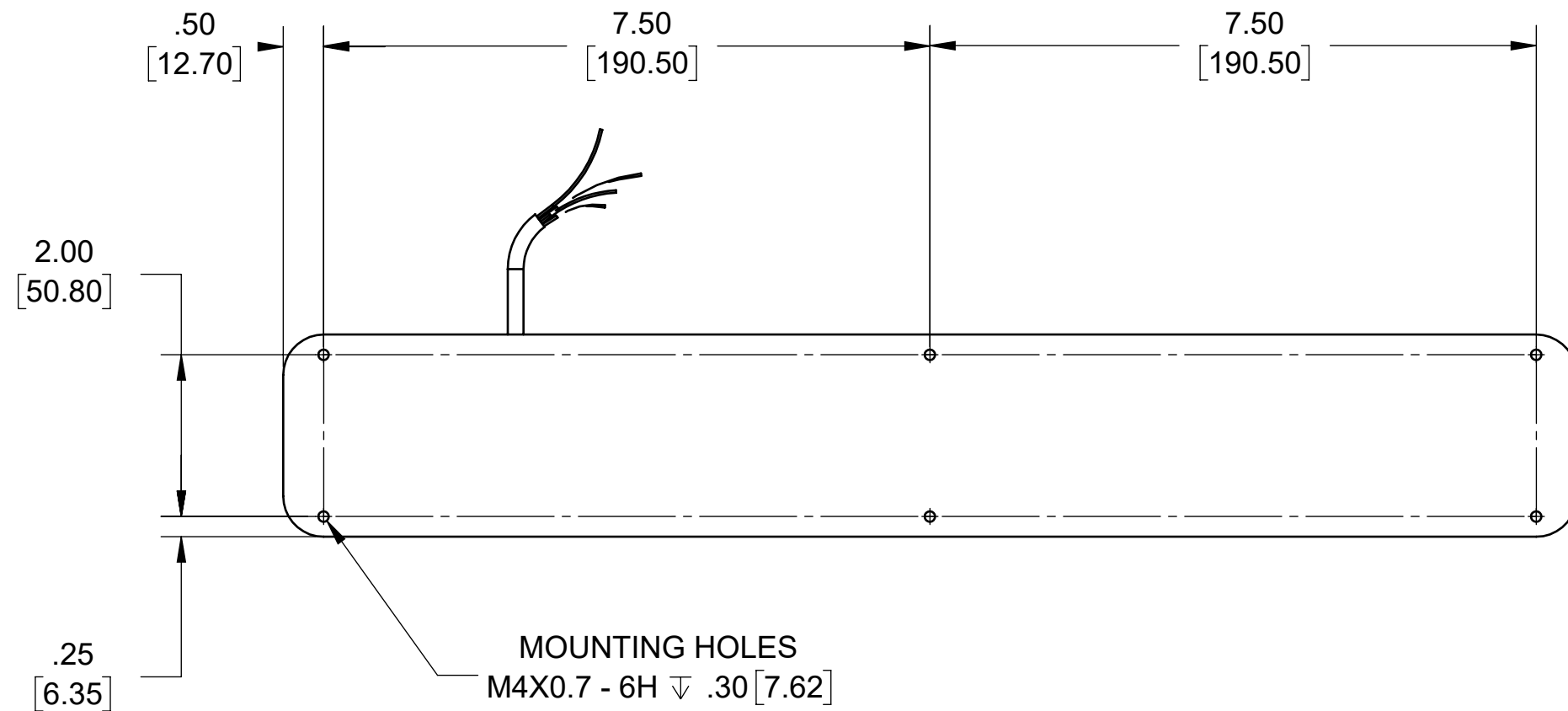


POWER CABLE
 Gore High Flex
 20 AWG Shielded Power Cable; 4 conductor
 w/ flying leadwire ends; Ø.19"/ 10' Lg.
 W/ water resistant grommet.

SEE SHEET 2 FOR EXPLODED VIEW AND BOM.

SEE SHEET 3 FOR MOUNTING HOLES

Metaphase Technologies, Inc. 211 Sinclair Road, Suite 100, Bristol, PA. 19007 215-639-8699 Fax 215-639-0977			
QUANTITY: Per order	TOLERANCE/FINISH UNLESS OTHERWISE SPECIFIED	THIS DOCUMENT IS THE PROPERTY OF METAPHASE TECHNOLOGIES, INC. WHOM MAY LOAN IT, SUBJECT TO RETURN UPON DEMAND. IT INCLUDES CONFIDENTIAL & PROPRIETARY INFORMATION WHICH MAY NOT BE DISCLOSED TO ANY THIRD PARTY, AND/ OR USED FOR ANY PURPOSE CONTRARY TO IT'S INTENDED USE, WITHOUT THE EXPRESSED PRIOR WRITTEN CONSENT OF METAPHASE TECHNOLOGIES, INC.	
MATERIAL: Aluminum, plastic	INCHES [MM]	TITLE Top Assy.; RoBo Light- 16"	
FINISH: Black Anodized	X .X .XX .XXX 125√RMS [RA3.2um]	USED ON Per customer	
TREATMENT: N/A	[±.76] ±.030 [±.25] ±.010 [±.13] ±.005 ANGLES ±1°	SIZE B	DRAWING NUMBER MB-RBL-365-1 REV B
Approval Signature	Date / /	SCALE 1:4 SHEET 1 OF 2	



Metaphase Technologies, Inc. 211 Sinclair Road, Suite 100
 Bristol, PA. 19007 215-639-8699 Fax 215-639-0977



TOLERANCE/FINISH UNLESS OTHERWISE SPECIFIED				
INCHES [MM]				125√RMS [RA3.2um]
X	.X	.XX	.XXX	
[±.76]	±.030 [±.25]	±.010 [±.13]	±.005	ANGLES ±1°

THIS DOCUMENT IS THE PROPERTY OF
METAPHASE TECHNOLOGIES, INC. WHOM MAY
 LOAN IT, SUBJECT TO RETURN UPON DEMAND.
 IT INCLUDES CONFIDENTIAL & PROPRIETARY
 INFORMATION WHICH MAY NOT BE DISCLOSED
 TO ANY THIRD PARTY, AND/ OR USED FOR
 ANY PURPOSE CONTRARY TO IT'S INTENDED
 USE, WITHOUT THE EXPRESSED PRIOR WRITTEN
 CONSENT OF **METAPHASE TECHNOLOGIES, INC.**

TITLE
Top Assy.; RoBo Light- 16"

USED ON
Per customer

SIZE B	DRAWING NUMBER MB-RBL-365-1	REV B
SCALE 1:4		SHEET 2 OF 2