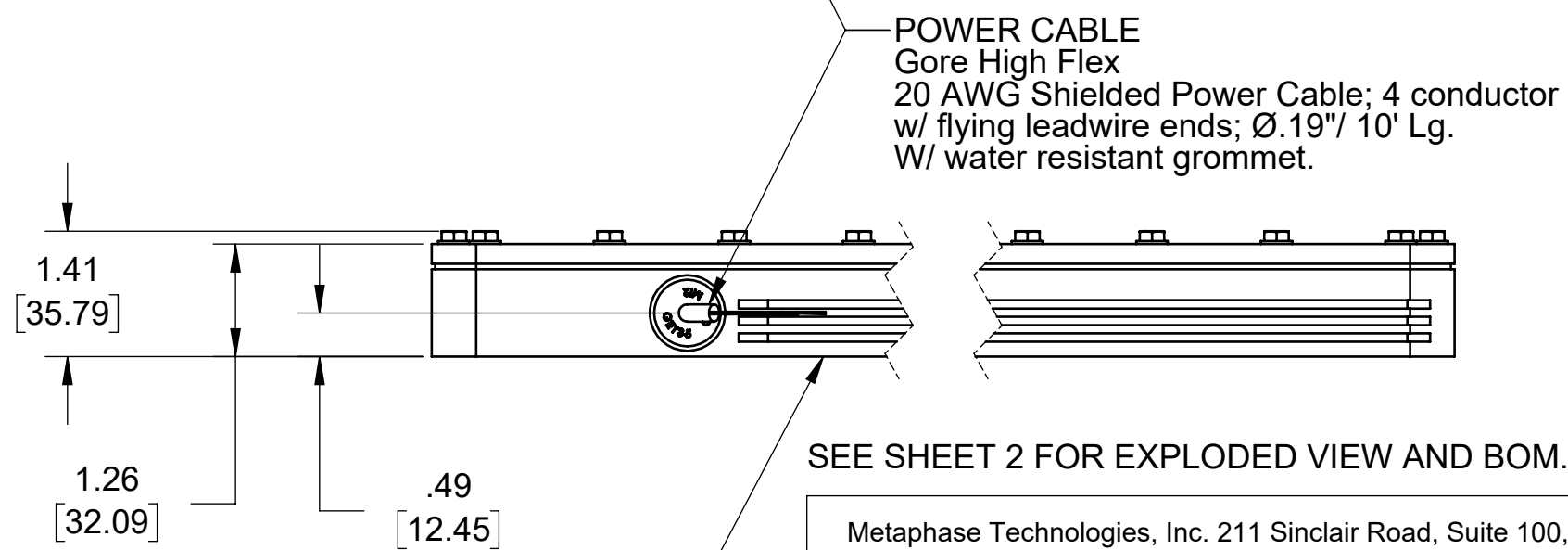
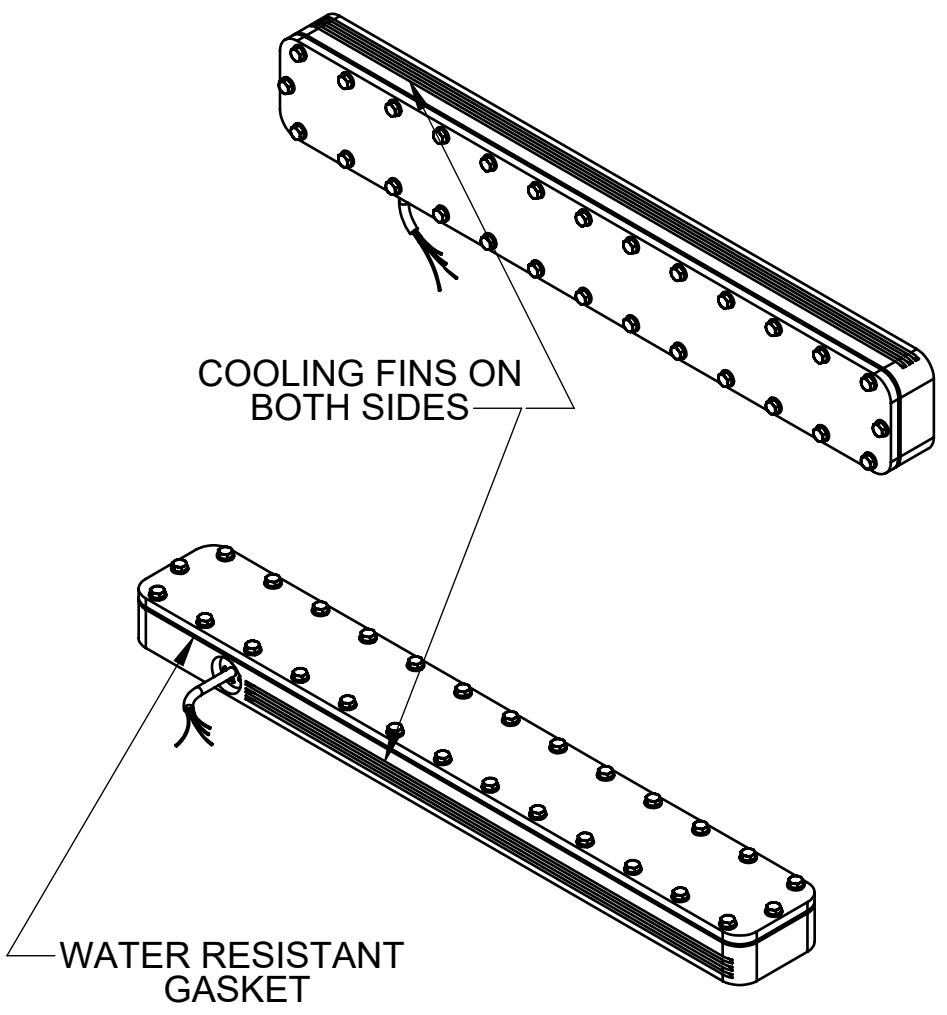
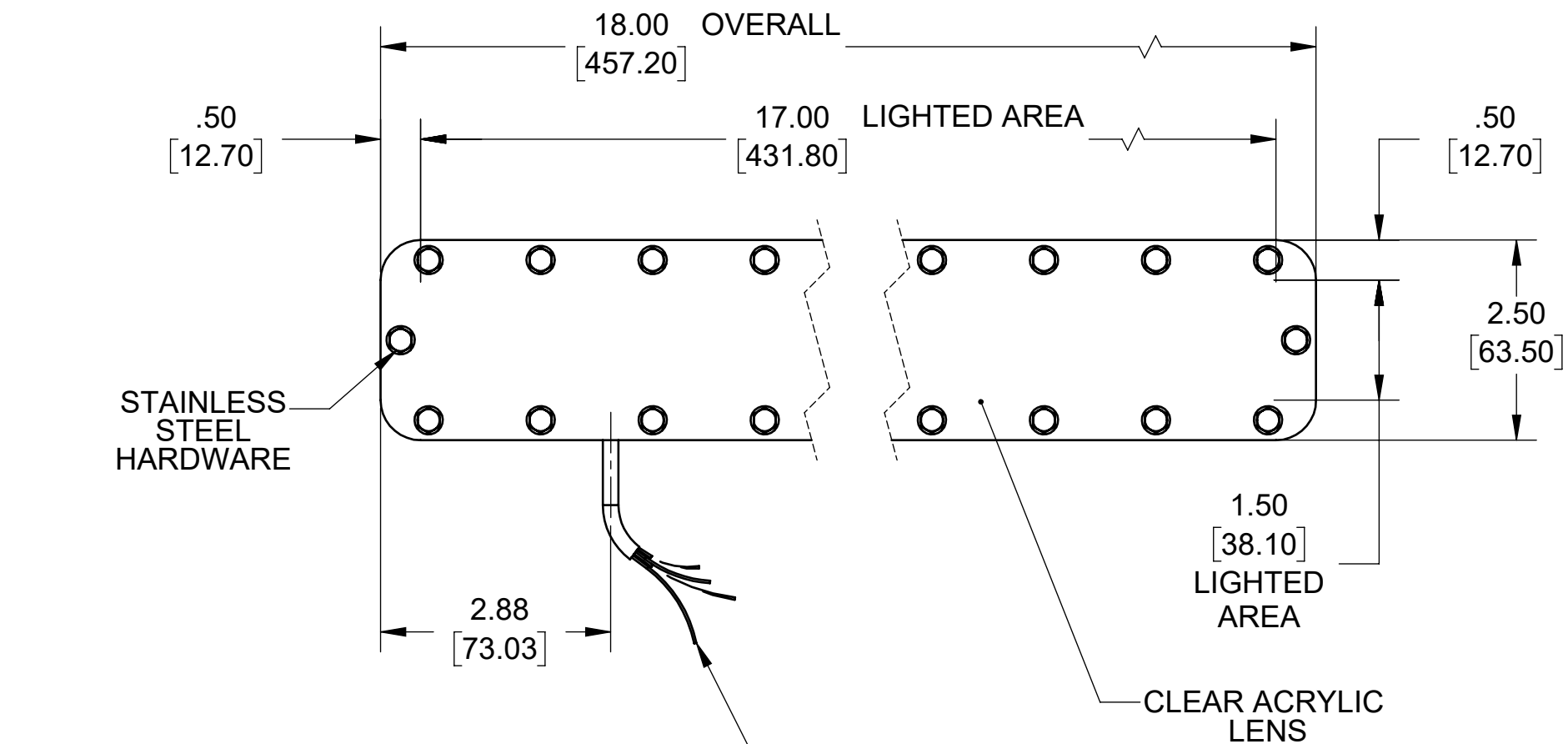


REVISIONS			
REV.	DESCRIPTION	DATE	APPROVED
A	INITIAL RELEASE	2/4/2015	
B	REMOVED GASKET ADHESIVE NOTE	2/18/2018	



SEE SHEET 2 FOR EXPLODED VIEW AND BOM.

SEE SHEET 3 FOR MOUNTING HOLES

Metaphase Technologies, Inc. 211 Sinclair Road, Suite 100, Bristol, PA. 19007 215-639-8699 Fax 215-639-0977



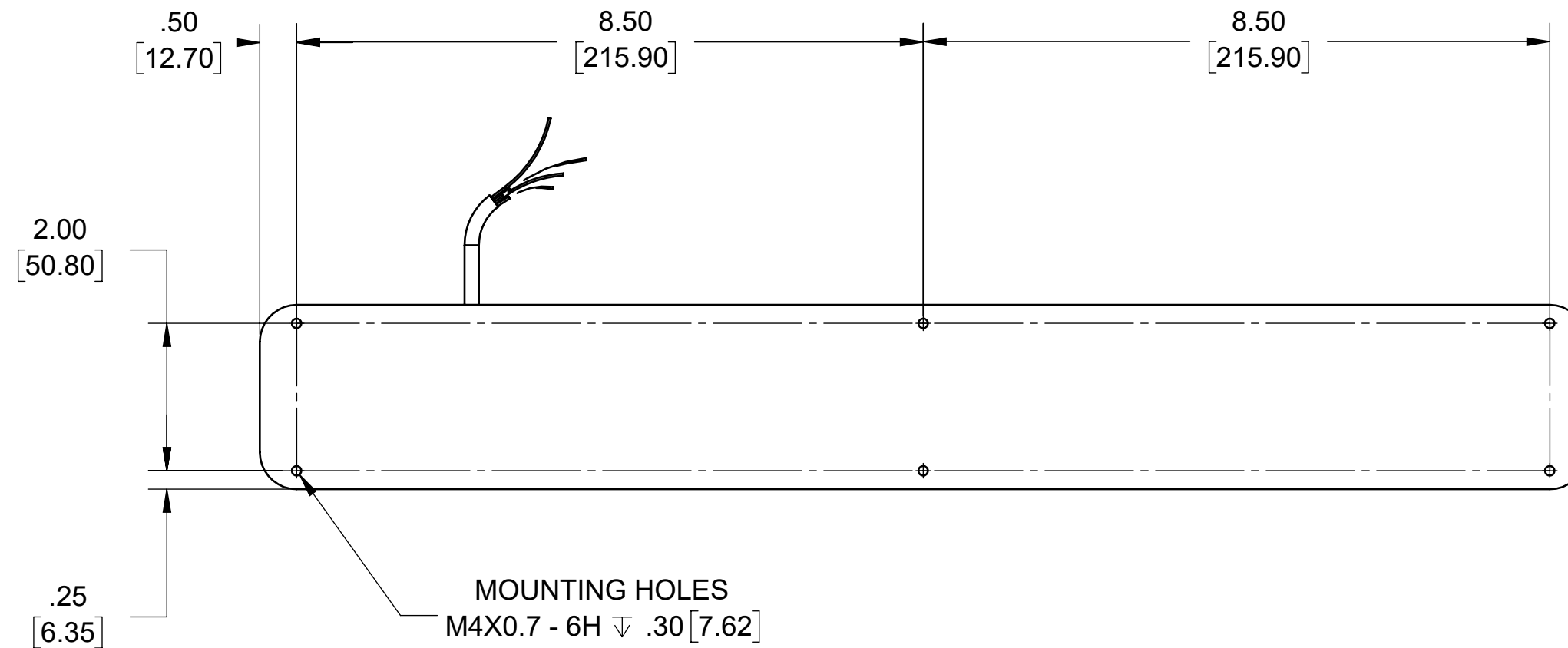
<b>QUANTITY:</b>	Per order	TOLERANCE/FINISH UNLESS OTHERWISE SPECIFIED			
<b>MATERIAL:</b>	Aluminum, plastic	INCHES [MM]			
<b>FINISH:</b>	Black Anodized	X	.X	.XX	.XXX
<b>TREATMENT:</b>	N/A	[±.76]	[±.030 [±.25]	[±.010 [±.13]	±.005
					125V RMS [RA3.2um] ANGLES ±1°

THIS DOCUMENT IS THE PROPERTY OF METAPHASE TECHNOLOGIES, INC. WHOM MAY LOAN IT, SUBJECT TO RETURN UPON DEMAND. IT INCLUDES CONFIDENTIAL & PROPRIETARY INFORMATION WHICH MAY NOT BE DISCLOSED TO ANY THIRD PARTY, AND/ OR USED FOR ANY PURPOSE CONTRARY TO IT'S INTENDED USE, WITHOUT THE EXPRESSED PRIOR WRITTEN CONSENT OF METAPHASE TECHNOLOGIES, INC.

TITLE	Top Assy.; RoBo Light- 18"		
USED ON	Per customer		
SIZE	DRAWING NUMBER	REV	
B	MB-RBL-385-1	B	
SCALE 1:4		SHEET 1 OF 2	

Approval Signature \_\_\_\_\_

/ /  
Date



Metaphase Technologies, Inc. 211 Sinclair Road, Suite 100  
 Bristol, PA. 19007 215-639-8699 Fax 215-639-0977



TOLERANCE/FINISH UNLESS OTHERWISE SPECIFIED				
INCHES [MM]				125√RMS [RA3.2um]
X	.X	.XX	.XXX	ANGLES ±1°
[±.76]	±.030 [±.25]	±.010 [±.13]	±.005	

THIS DOCUMENT IS THE PROPERTY OF  
**METAPHASE TECHNOLOGIES, INC.** WHOM MAY  
 LOAN IT, SUBJECT TO RETURN UPON DEMAND.  
 IT INCLUDES CONFIDENTIAL & PROPRIETARY  
 INFORMATION WHICH MAY NOT BE DISCLOSED  
 TO ANY THIRD PARTY, AND/ OR USED FOR  
 ANY PURPOSE CONTRARY TO IT'S INTENDED  
 USE, WITHOUT THE EXPRESSED PRIOR WRITTEN  
 CONSENT OF **METAPHASE TECHNOLOGIES, INC.**

TITLE  
**Top Assy.; RoBo Light- 18"**

USED ON  
**Per customer**

SIZE <b>B</b>	DRAWING NUMBER <b>MB-RBL-385-1</b>	REV <b>B</b>
SCALE 1:4		SHEET 2 OF 2