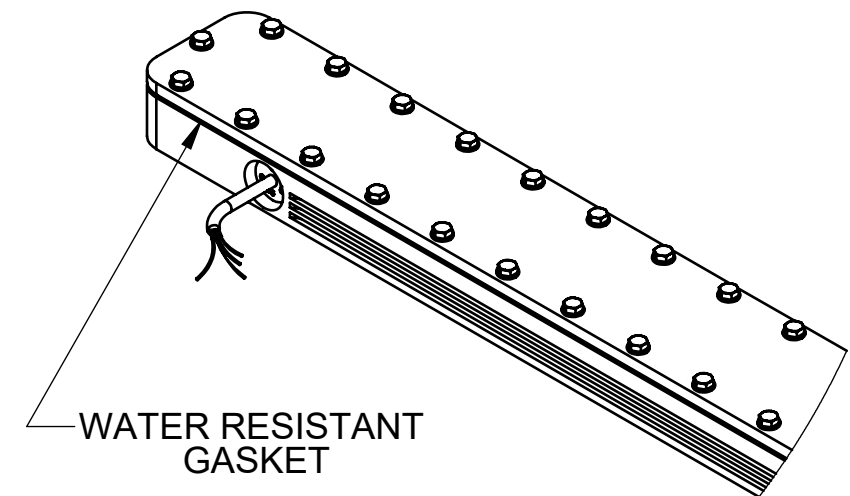
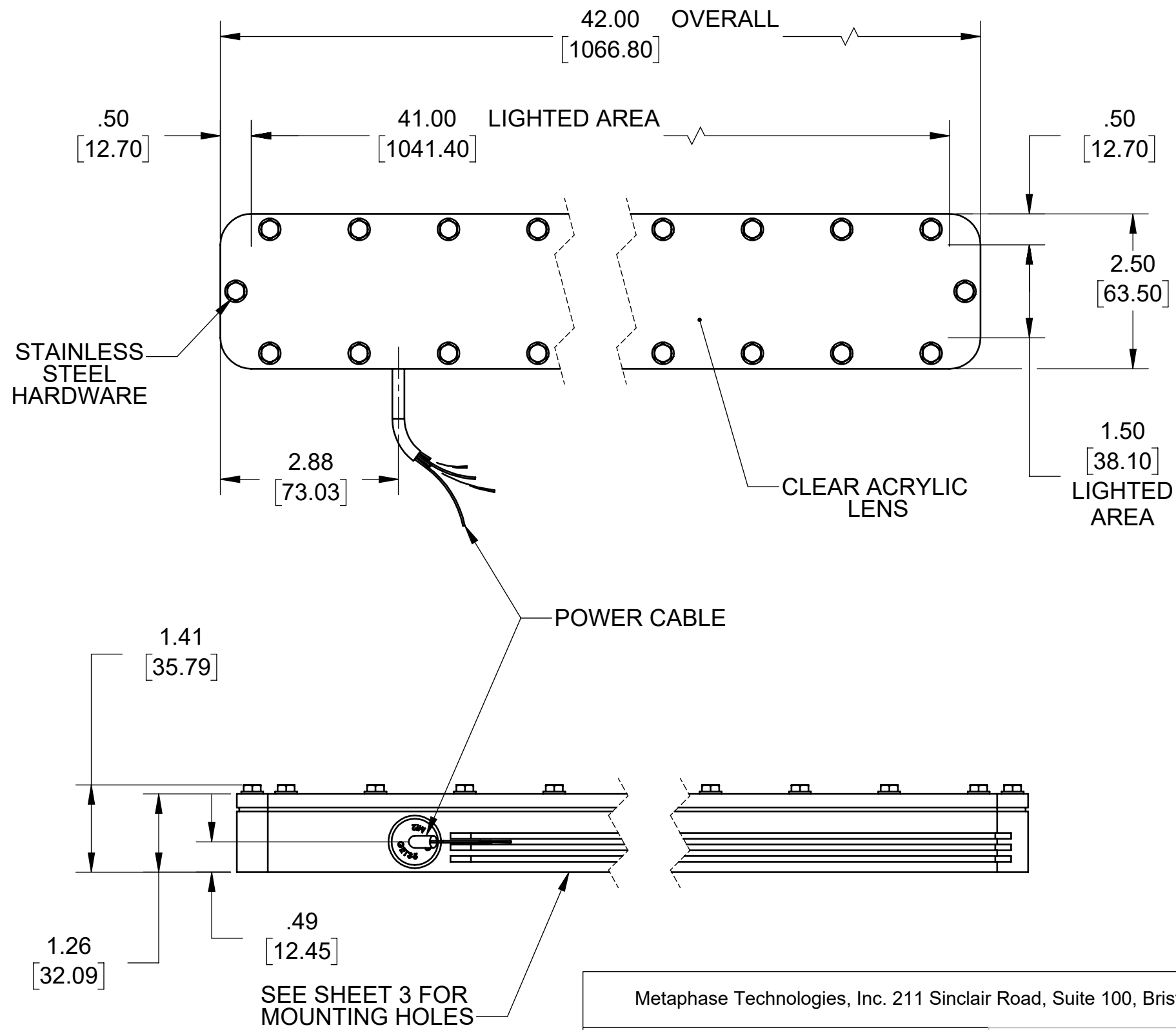


REVISIONS			
REV.	DESCRIPTION	DATE	APPROVED
A	INITIAL RELEASE	7/18/2014	
B	ADDED END SCREWS - CHANGED FASTENERS TO METRIC - CENTERED POWER CABLE - REPLACED GASKET WITH NEW MATERIAL - REDUCED GASKET OVERALL SIZE TO ELIMINATE BULGING - ADDED LOCKTITE #290 THREAD LOCKER AND PRIMER #7649 TO BOM - SEE SHEET 2.	1/1/2015	
C	CABLE SPEC UPDATE	11/8/2017	
D	REMOVED GASKET ADHESIVE NOTE	2/18/2018	



SEE SHEET 2 FOR EXPLODED VIEW AND BOM.

Approval Signature _____

/ /
Date

Metaphase Technologies, Inc. 211 Sinclair Road, Suite 100, Bristol, PA. 19007 215-639-8699 Fax 215-639-0977

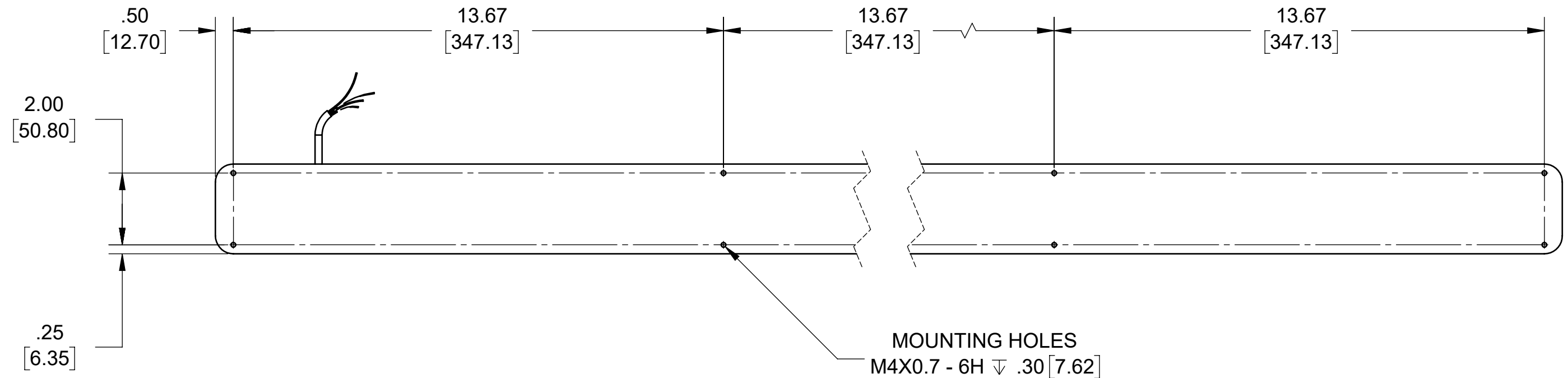
QUANTITY:	Per order
MATERIAL:	Aluminum, plastic
FINISH:	Black Anodized
TREATMENT:	N/A

TOLERANCE/FINISH UNLESS OTHERWISE SPECIFIED				
INCHES [MM]				125√RMS [RA3.2um]
X	.X	.XX	.XXX	ANGLES ±1°
[±.76]	±.030 [±.25]	±.010 [±.13]	±.005	

THIS DOCUMENT IS THE PROPERTY OF METAPHASE TECHNOLOGIES, INC. WHOM MAY LOAN IT, SUBJECT TO RETURN UPON DEMAND. IT INCLUDES CONFIDENTIAL & PROPRIETARY INFORMATION WHICH MAY NOT BE DISCLOSED TO ANY THIRD PARTY, AND/ OR USED FOR ANY PURPOSE CONTRARY TO IT'S INTENDED USE, WITHOUT THE EXPRESSED PRIOR WRITTEN CONSENT OF METAPHASE TECHNOLOGIES, INC.



TITLE	Top Assy.; RoBo Light- 42"		
USED ON	Per customer		
SIZE	DRAWING NUMBER	REV	
B	MB-RBL-705-1	D	
SCALE 1:4		SHEET 1 OF 2	



Metaphase Technologies, Inc. 211 Sinclair Road, Suite 100
Bristol, PA. 19007 215-639-8699 Fax 215-639-0977



TOLERANCE/FINISH UNLESS OTHERWISE SPECIFIED				
INCHES [MM]				125√RMS [RA3.2um]
X	.X	.XX	.XXX	
[±.76]	±.030 [±.25]	±.010 [±.13]	±.005	ANGLES ±1°

THIS DOCUMENT IS THE PROPERTY OF
METAPHASE TECHNOLOGIES, INC. WHOM MAY
LOAN IT, SUBJECT TO RETURN UPON DEMAND.
IT INCLUDES CONFIDENTIAL & PROPRIETARY
INFORMATION WHICH MAY NOT BE DISCLOSED
TO ANY THIRD PARTY, AND/ OR USED FOR
ANY PURPOSE CONTRARY TO IT'S INTENDED
USE, WITHOUT THE EXPRESSED PRIOR WRITTEN
CONSENT OF **METAPHASE TECHNOLOGIES, INC.**

TITLE
Top Assy.; RoBo Light- 42"

USED ON
Per customer

SIZE B	DRAWING NUMBER MB-RBL-705-1	REV D
SCALE 1:4		SHEET 2 OF 2