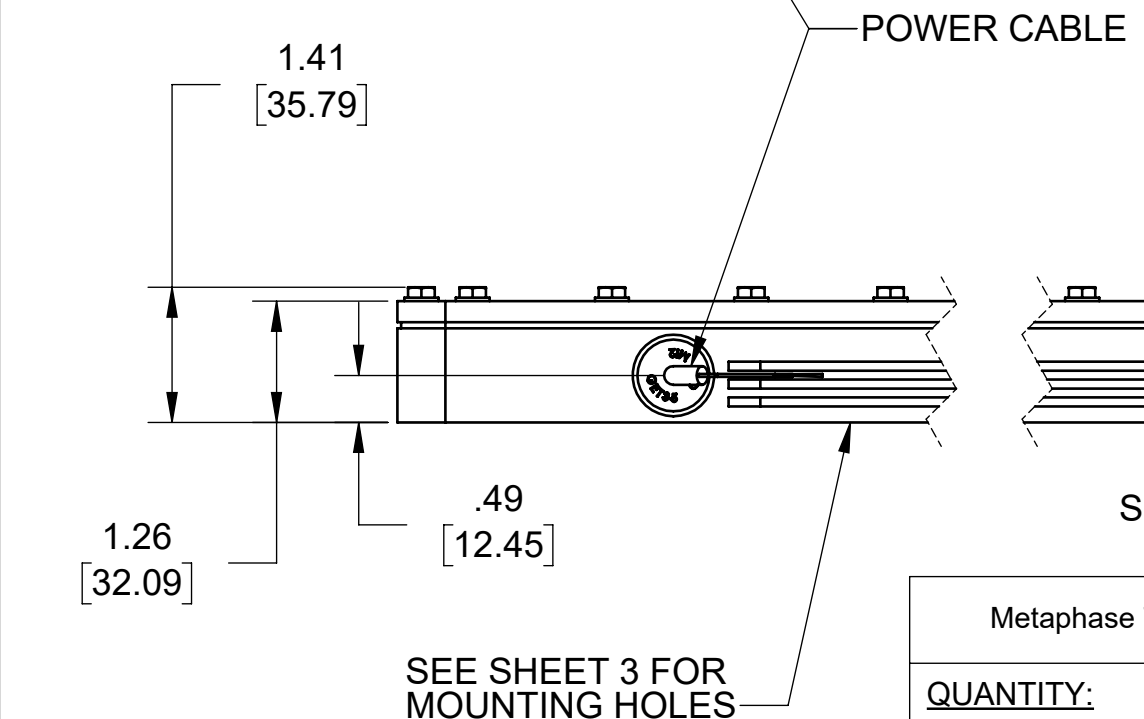
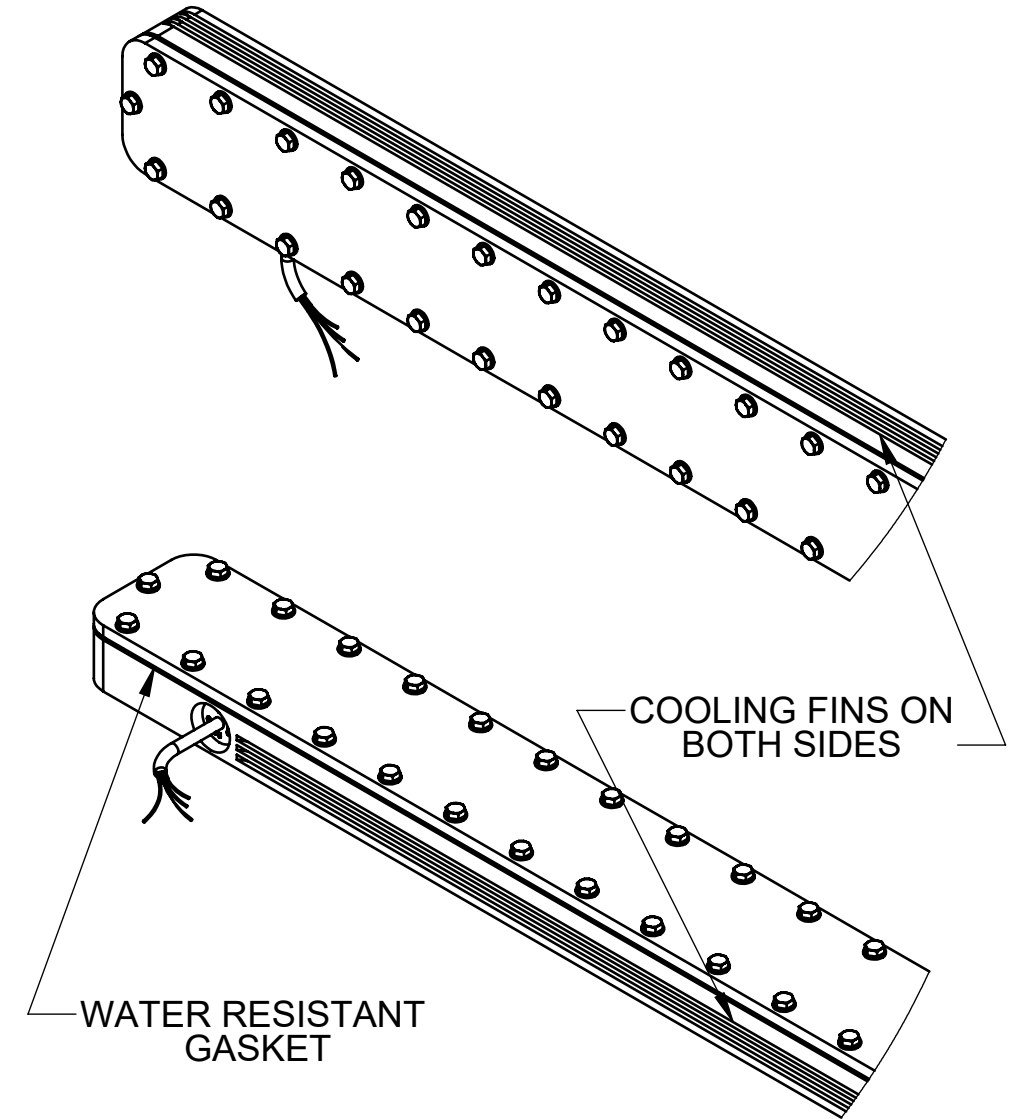
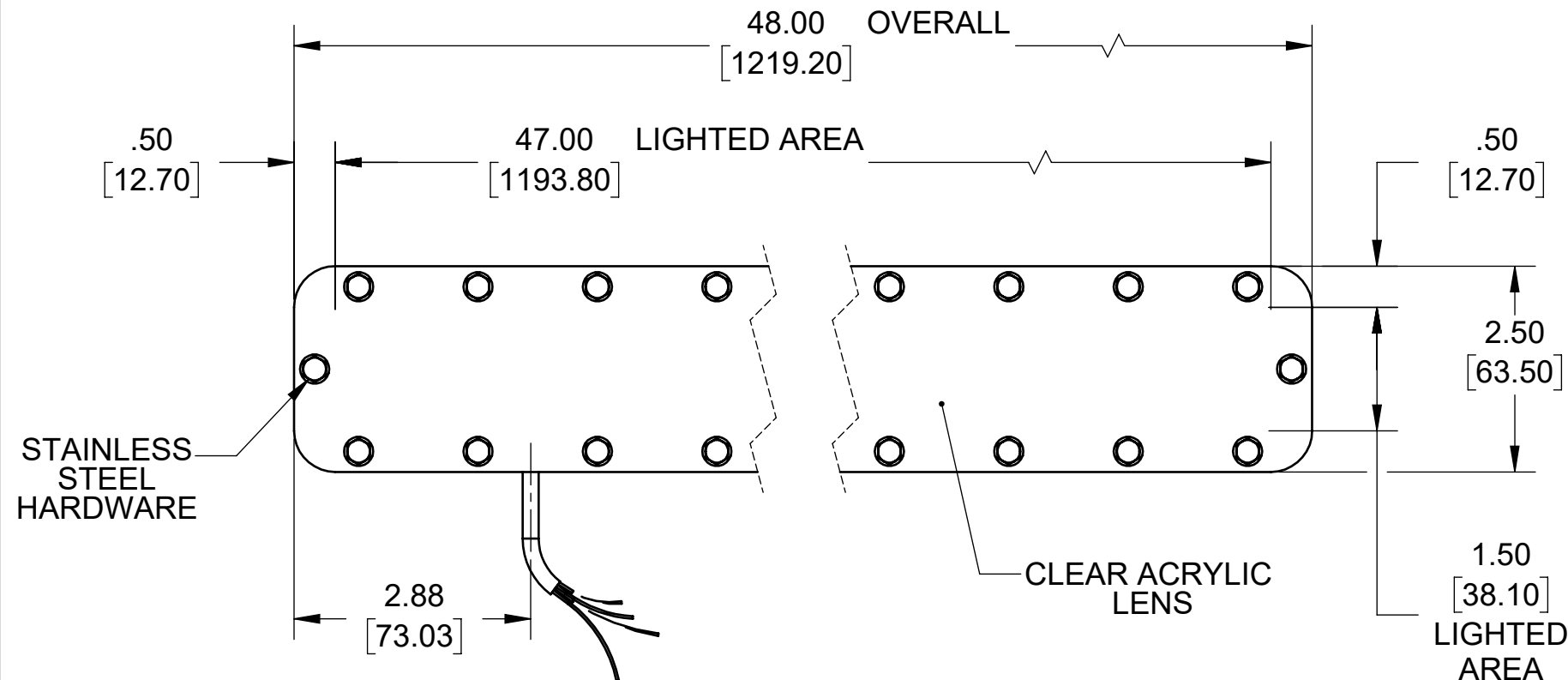


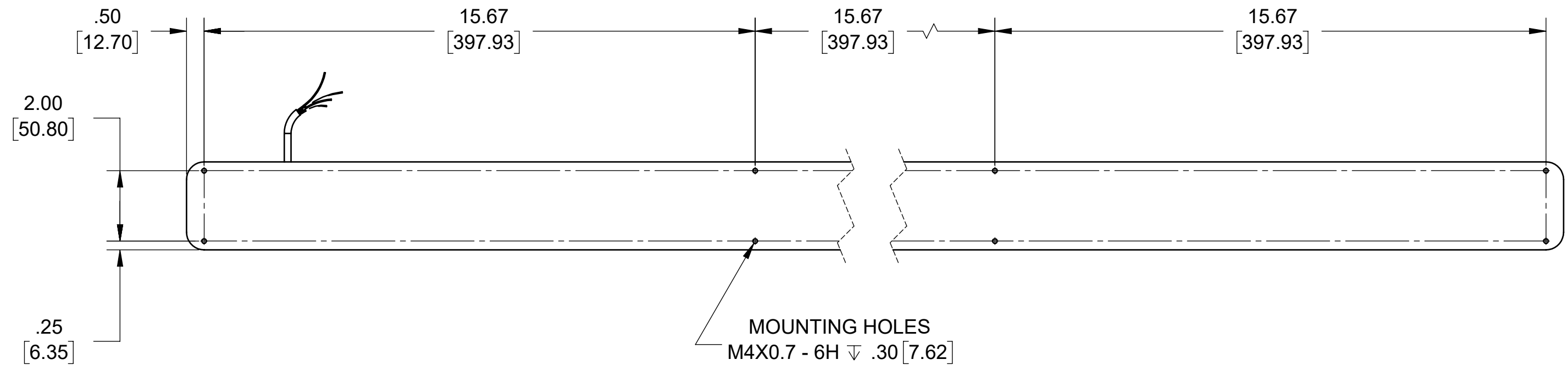
REVISIONS				
REV.	DESCRIPTION	DATE	APPROVED	
A	INITIAL RELEASE	7/18/2014		
B	ADDED END SCREWS - CHANGED FASTENERS TO METRIC - CENTERED POWER CABLE - REPLACED GASKET WITH NEW MATERIAL - REDUCED GASKET OVERALL SIZE TO ELIMINATE BULGING - ADDED LOCKTITE #290 THREAD LOCKER AND PRIMER #7649 TO BOM - SEE SHEET 2.	1/1/2015		
C	CABLE SPEC UPDATE	11/8/2017		
D	REMOVED GASKET ADHESIVE NOTE	2/18/2018		



SEE SHEET 2 FOR EXPLODED VIEW AND BOM.

Approval Signature _____ / / Date _____

Metaphase Technologies, Inc. 211 Sinclair Road, Suite 100, Bristol, PA. 19007 215-639-8699 Fax 215-639-0977							
QUANTITY: Per order		TOLERANCE/FINISH UNLESS OTHERWISE SPECIFIED		THIS DOCUMENT IS THE PROPERTY OF METAPHASE TECHNOLOGIES, INC. WHOM MAY LOAN IT, SUBJECT TO RETURN UPON DEMAND. IT INCLUDES CONFIDENTIAL & PROPRIETARY INFORMATION WHICH MAY NOT BE DISCLOSED TO ANY THIRD PARTY, AND/ OR USED FOR ANY PURPOSE CONTRARY TO IT'S INTENDED USE, WITHOUT THE EXPRESSED PRIOR WRITTEN CONSENT OF METAPHASE TECHNOLOGIES, INC.			
MATERIAL: Aluminum, plastic		INCHES [MM]					
FINISH: Black Anodize		X	.X			.XX	.XXX
TREATMENT: N/A		[±.76]	±.030 [±.25]			±.010 [±.13]	±.005
				125√RMS [RA3.2um]	ANGLES ±1°		
				TITLE Top Assy.; RoBo Light- 48"			
				USED ON Per customer			
SIZE B		DRAWING NUMBER MB-RBL-805-1		REV D			
				SCALE 1:4 SHEET 1 OF 2			



Metaphase Technologies, Inc. 211 Sinclair Road, Suite 100,
Bristol, PA. 19007 215-639-8699 Fax 215-639-0977



TOLERANCE/FINISH
UNLESS OTHERWISE SPECIFIED

X	INCHES[MM]			125√RMS [RA3.2um]
	.X	.XX	.XXX	
[±.76]	±.030 [±.25]	±.010 [±.13]	±.005	ANGLES ±1°

FLAT PATTERNS USE 0.5 K FACTOR FOR DESIGN
REFERENCE ONLY. ACTUAL VALUE MAY VARY,
USE TEST PART AS REQ'D TO VERIFY ACCURACY

THIS DOCUMENT IS THE PROPERTY OF
METAPHASE TECHNOLOGIES, INC. WHOM MAY
LOAN IT, SUBJECT TO RETURN UPON DEMAND.
IT INCLUDES CONFIDENTIAL & PROPRIETARY
INFORMATION WHICH MAY NOT BE DISCLOSED
TO ANY THIRD PARTY, AND/ OR USED FOR
ANY PURPOSE CONTRARY TO IT'S INTENDED
USE, WITHOUT THE EXPRESSED PRIOR WRITTEN
CONSENT OF **METAPHASE TECHNOLOGIES, INC.**

TITLE Top Assy.; RoBo Light- 48"		
USED ON Per customer		
SIZE B	DRAWING NUMBER MB-RBL-805-1	REV D
SCALE 1:4	SHEET 2 OF 2	