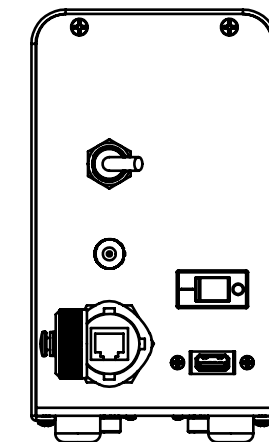
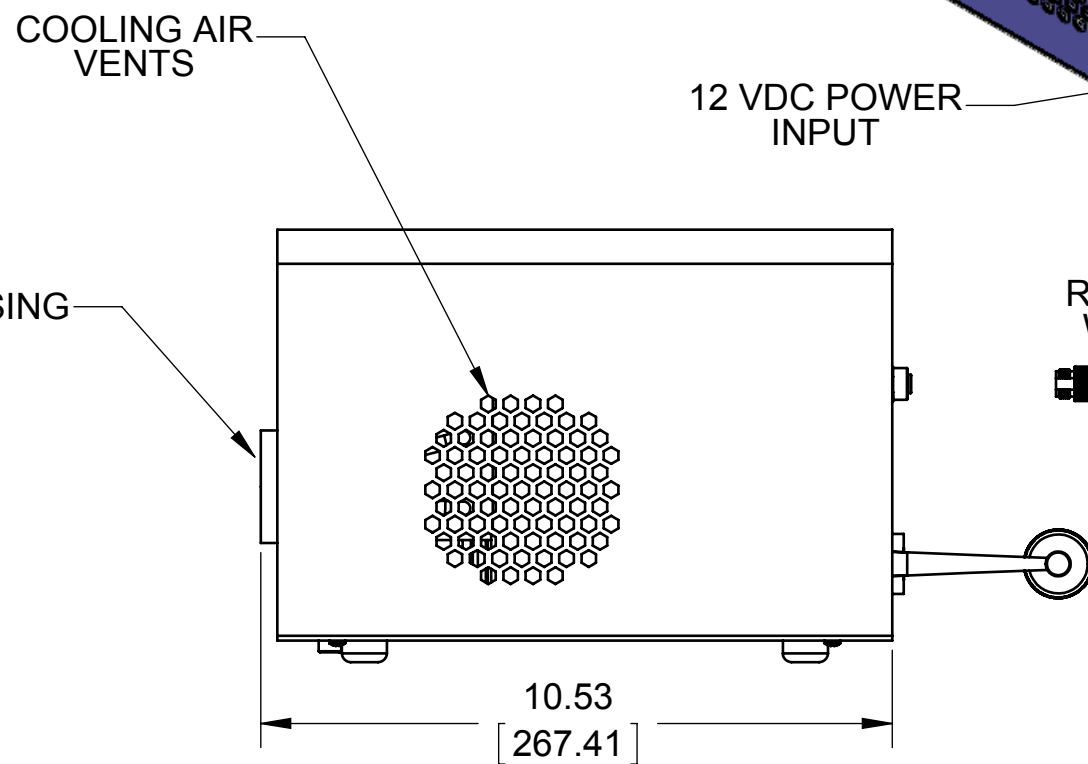
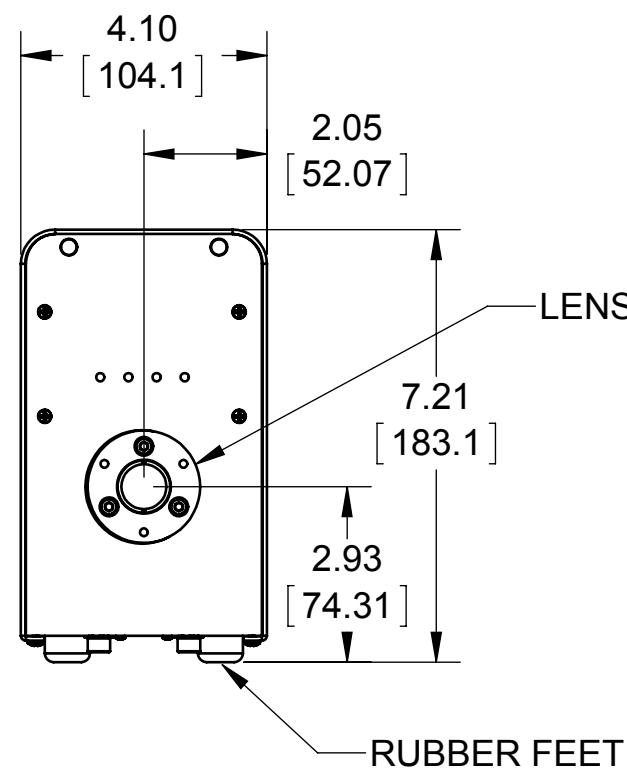
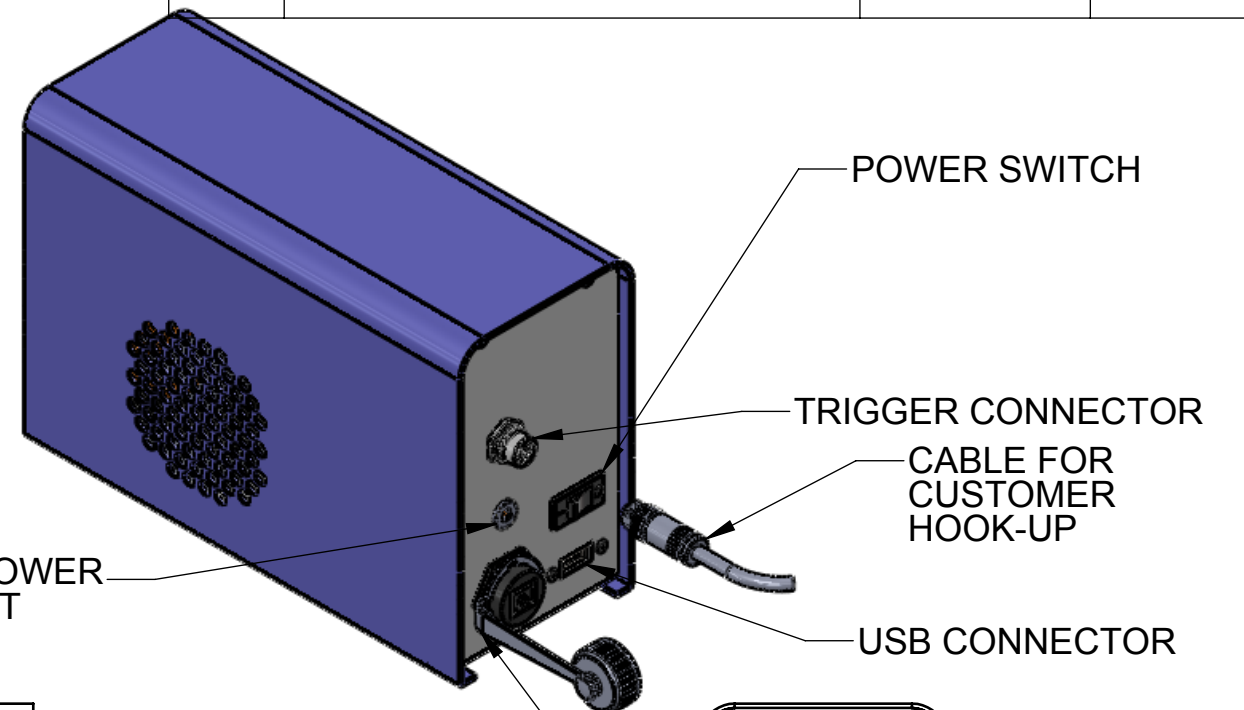


REVISIONS			
REV.	DESCRIPTION	DATE	APPROVED
A	INITIAL RELEASE	5/1/2013	
B	REDESIGNED INTERNAL COMPONENTS; ADDED SECOND COOLING FAN.	7/1/2013	
C	CHANGED COOLER ASSY. SEE SHEET 2 BOM	8/27/2015	



Metaphase Technologies, Inc. 211 Sinclair Road, Suite 100, Bristol, PA. 19007 215-639-8699 Fax 215-639-0977



QUANTITY: Per order

MATERIAL: Per BOM

FINISH: As supplied

TREATMENT: N/A

TOLERANCE/FINISH UNLESS OTHERWISE SPECIFIED				
INCHES[MM]				125√RMS [RA3.2um]
X	.X	.XX	.XXX	±.005 ANGLES±1°
[±.76]	±.030 [±.25]	±.010 [±.13]		

THIS DOCUMENT IS THE PROPERTY OF METAPHASE TECHNOLOGIES, INC. WHOM MAY LOAN IT, SUBJECT TO RETURN UPON DEMAND. IT INCLUDES CONFIDENTIAL & PROPRIETARY INFORMATION WHICH MAY NOT BE DISCLOSED TO ANY THIRD PARTY, AND/ OR USED FOR ANY PURPOSE CONTRARY TO IT'S INTENDED USE, WITHOUT THE EXPRESSED PRIOR WRITTEN CONSENT OF METAPHASE TECHNOLOGIES, INC.

TITLE
Top Assy.; Metaphaser

USED ON
Per Customer

SIZE B	DRAWING NUMBER MP-LE1007-10	REV C
SCALE 1:8		SHEET 1 OF 2

Approval Signature

/ /
Date