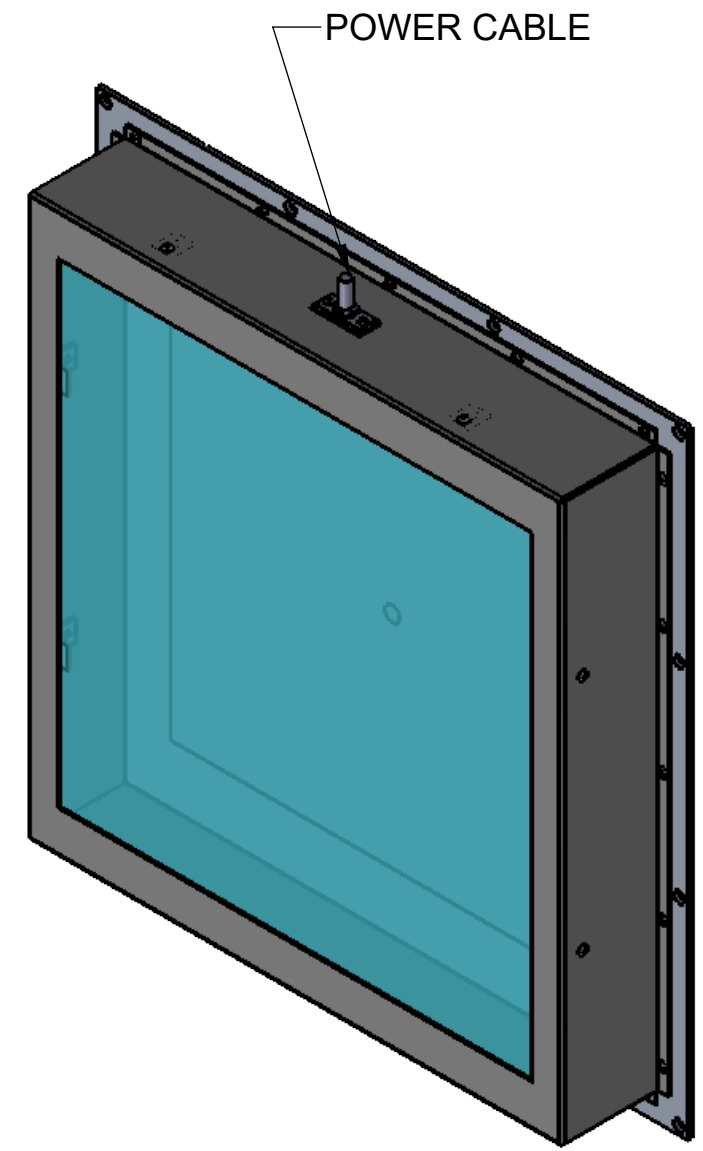


REVISIONS			
REV.	DESCRIPTION	DATE	APPROVED
A	INITIAL RELEASE	10/20/2016	
B	UPDATED DIFFUSER REQUIREMENTS	8/7/2017	
C	CHANGED DIFFUSER TO -7 FOR CLARIFICATION	2/23/2018	



Metaphase Technologies, Inc. 211 Sinclair Road, Suite 100, Bristol, PA. 19007 215-639-8699 Fax 215-639-0977



**QUANTITY:** Per order

**MATERIAL:** Per BOM

**FINISH:** Black Anodize

**TREATMENT:** N/A

TOLERANCE/FINISH UNLESS OTHERWISE SPECIFIED				
INCHES [MM]				125√RMS [RA3.2um]
X	.X	.XX	.XXX	
[±.76]	±.030 [±.25]	±.010 [±.13]	±.005	ANGLES ±1°

THIS DOCUMENT IS THE PROPERTY OF METAPHASE TECHNOLOGIES, INC. WHOM MAY LOAN IT, SUBJECT TO RETURN UPON DEMAND. IT INCLUDES CONFIDENTIAL & PROPRIETARY INFORMATION WHICH MAY NOT BE DISCLOSED TO ANY THIRD PARTY, AND/ OR USED FOR ANY PURPOSE CONTRARY TO IT'S INTENDED USE, WITHOUT THE EXPRESSED PRIOR WRITTEN CONSENT OF METAPHASE TECHNOLOGIES, INC.

TITLE Backlight 14" x 14"

USED ON Per customer

SIZE B DRAWING NUMBER MSBL14X14-1 REV C SCALE 1:6 SHEET 1 OF 1

Approval Signature \_\_\_\_\_

/ / Date