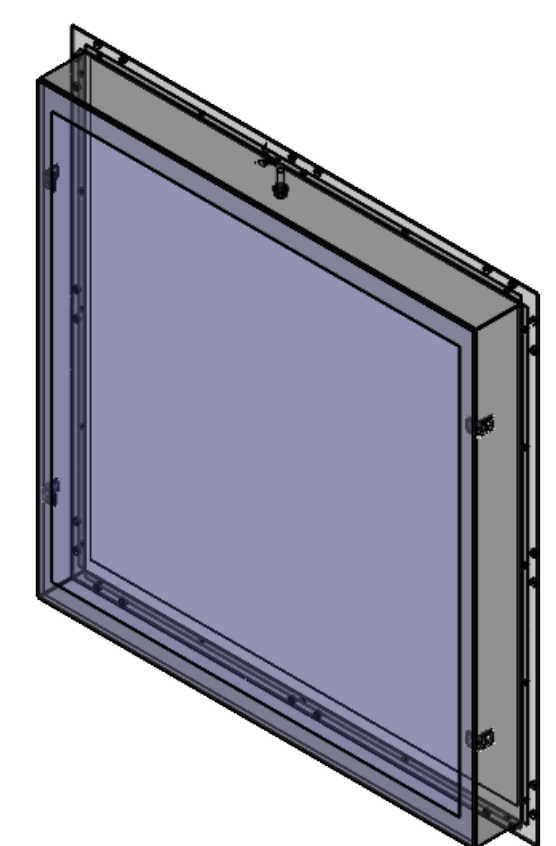


REVISIONS			
REV.	DESCRIPTION	DATE	APPROVED
A	INITIAL RELEASE	11/4/2013	
B	UPDATED ANGLE BRACKET; NOW USES McMASTER CARR PART. SEE SHEET 3.	11/5/2013	
C	CHANGED MATERIAL SPEC.; CHANGED THICKNESS OF BASE PLATE.	11/19/2013	



Approval Signature _____		Date / / _____		Metaphase Technologies, Inc. 211 Sinclair Road, Suite 100, Bristol, PA. 19007 215-639-8699 Fax 215-639-0977										
				QUANTITY: Per order MATERIAL: Aluminum 5052-3003 FINISH: Black Anodize TREATMENT: N/A	TOLERANCE/FINISH UNLESS OTHERWISE SPECIFIED INCHES [MM] <table border="1"> <tr> <td>X</td> <td>.X</td> <td>.XX</td> <td>.XXX</td> <td>125√RMS [RA3.2um]</td> </tr> <tr> <td>[±.76]</td> <td>±.030 [±.25]</td> <td>±.010 [±.13]</td> <td>±.005</td> <td>ANGLES ±1°</td> </tr> </table>	X	.X	.XX	.XXX	125√RMS [RA3.2um]	[±.76]	±.030 [±.25]	±.010 [±.13]	±.005
X	.X	.XX	.XXX	125√RMS [RA3.2um]										
[±.76]	±.030 [±.25]	±.010 [±.13]	±.005	ANGLES ±1°										