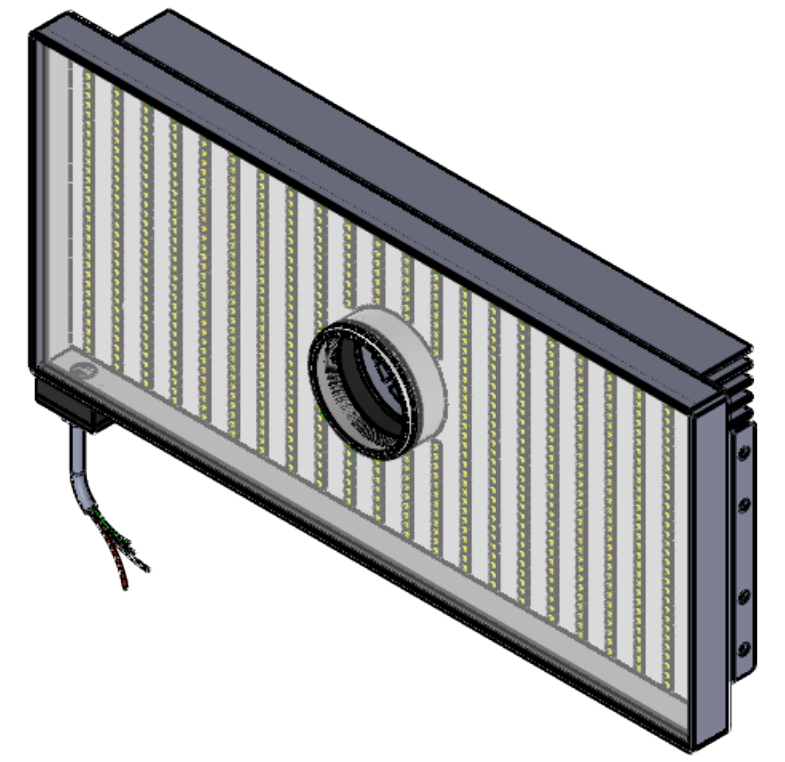
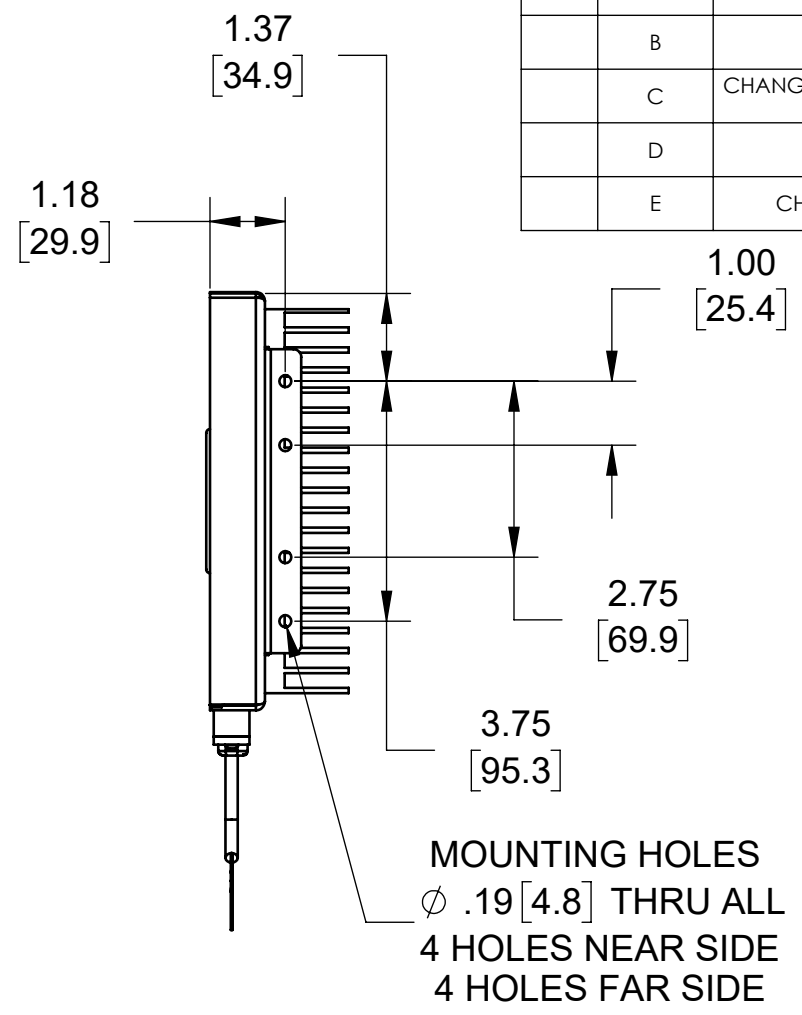
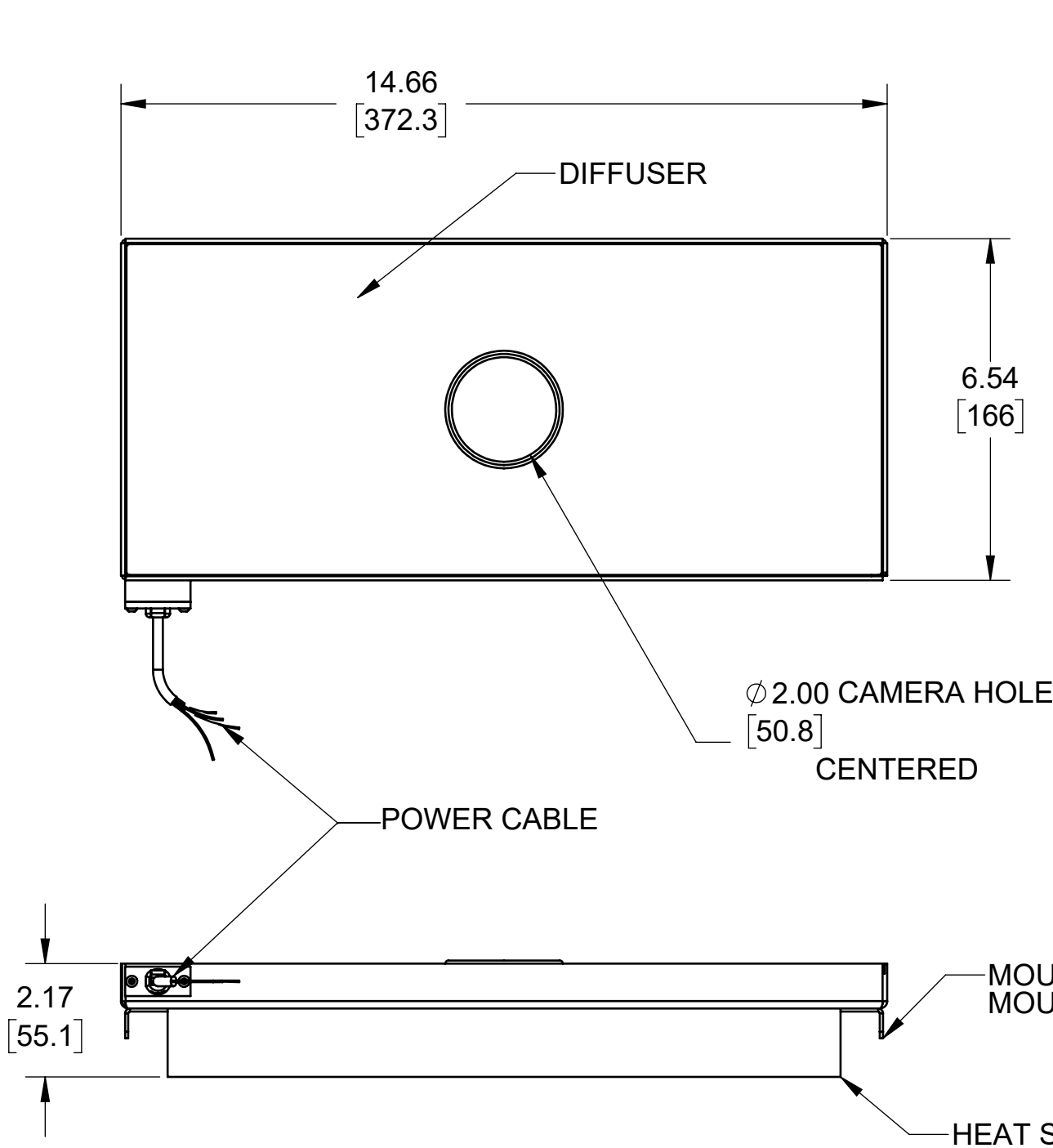


REVISIONS				
REV.	DESCRIPTION	DATE	APPROVED	
A	INITIAL RELEASE	11/20/2013		
B	CHANGED SHEET METAL PARTS	11/23/2013		
C	CHANGED PARTS #1, 3, 7, AND 14 ON BOM (PREVIOUS BOM)	4/17/2014		
D	CHANGED HEATSINK BOM	6/3/2014		
E	CHANGED ENCLOSURE TO WELDED DESIGN	7/23/2014		



SEE SHEET 2 FOR EXPLODED VIEW AND BOM

Metaphase Technologies, Inc. 211 Sinclair Road, Suite 100, Bristol, PA. 19007 215-639-8699 Fax 215-639-0977			
QUANTITY:	Per order	TOLERANCE/FINISH UNLESS OTHERWISE SPECIFIED	
MATERIAL:	See BOM	INCHES [MM]	
FINISH:	Black Oxide	X	.X .XX .XXX
TREATMENT:	N/A	[±.76]	±.030 [±.25] ±.010 [±.13] ±.005
			125V RMS [RA3.2um] ANGLES ±1°

METAPHASE
LIGHTING TECHNOLOGIES

TITLE
Top Assy.- Oblique Back Light

USED ON
Per Customer

SIZE **B** DRAWING NUMBER **OBL-6X14-1-1** REV **E**

SCALE 1:8 SHEET 1 OF 1

Approval Signature _____ Date ____/____/____

THIS DOCUMENT IS THE PROPERTY OF METAPHASE TECHNOLOGIES, INC. WHOM MAY LOAN IT, SUBJECT TO RETURN UPON DEMAND. IT INCLUDES CONFIDENTIAL & PROPRIETARY INFORMATION WHICH MAY NOT BE DISCLOSED TO ANY THIRD PARTY, AND/ OR USED FOR ANY PURPOSE CONTRARY TO IT'S INTENDED USE, WITHOUT THE EXPRESSED PRIOR WRITTEN CONSENT OF METAPHASE TECHNOLOGIES, INC.