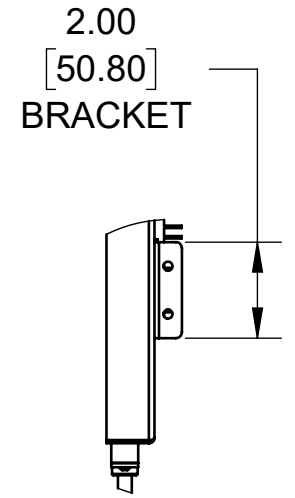
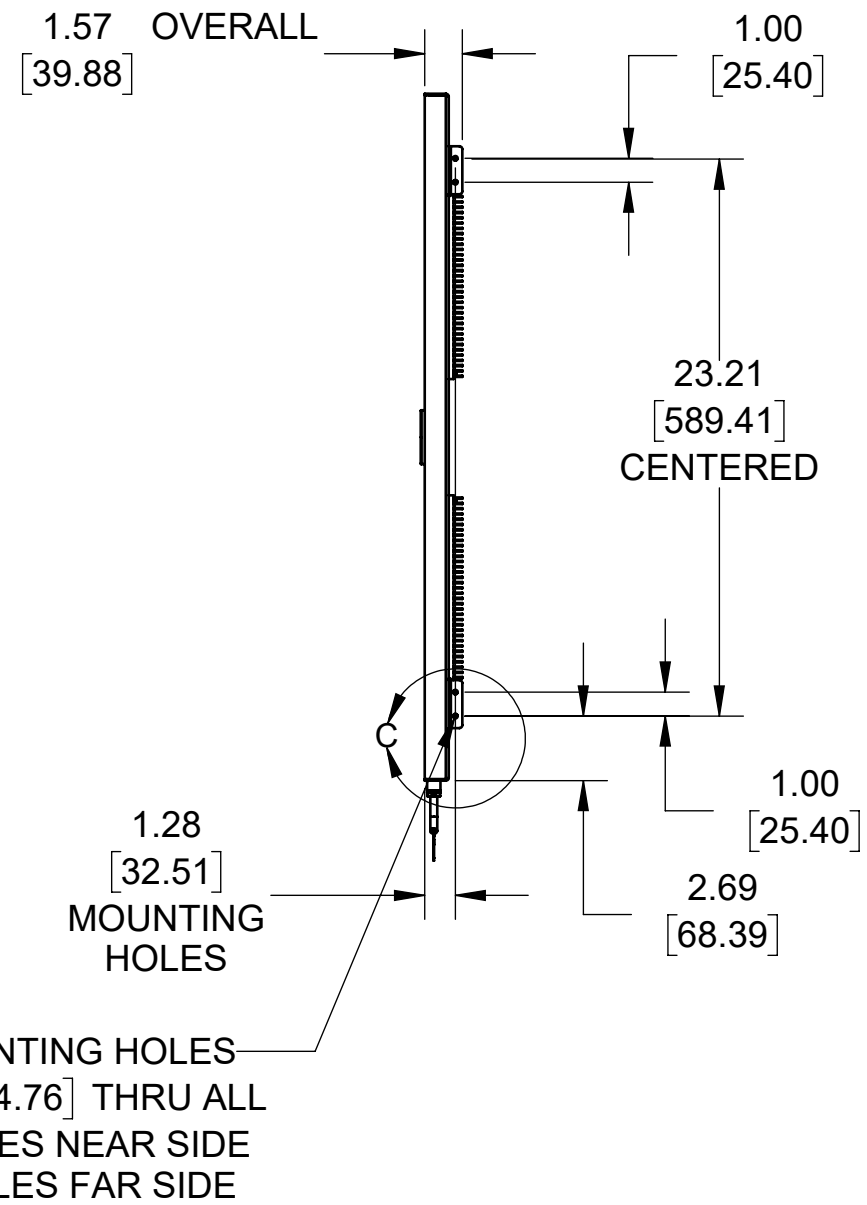
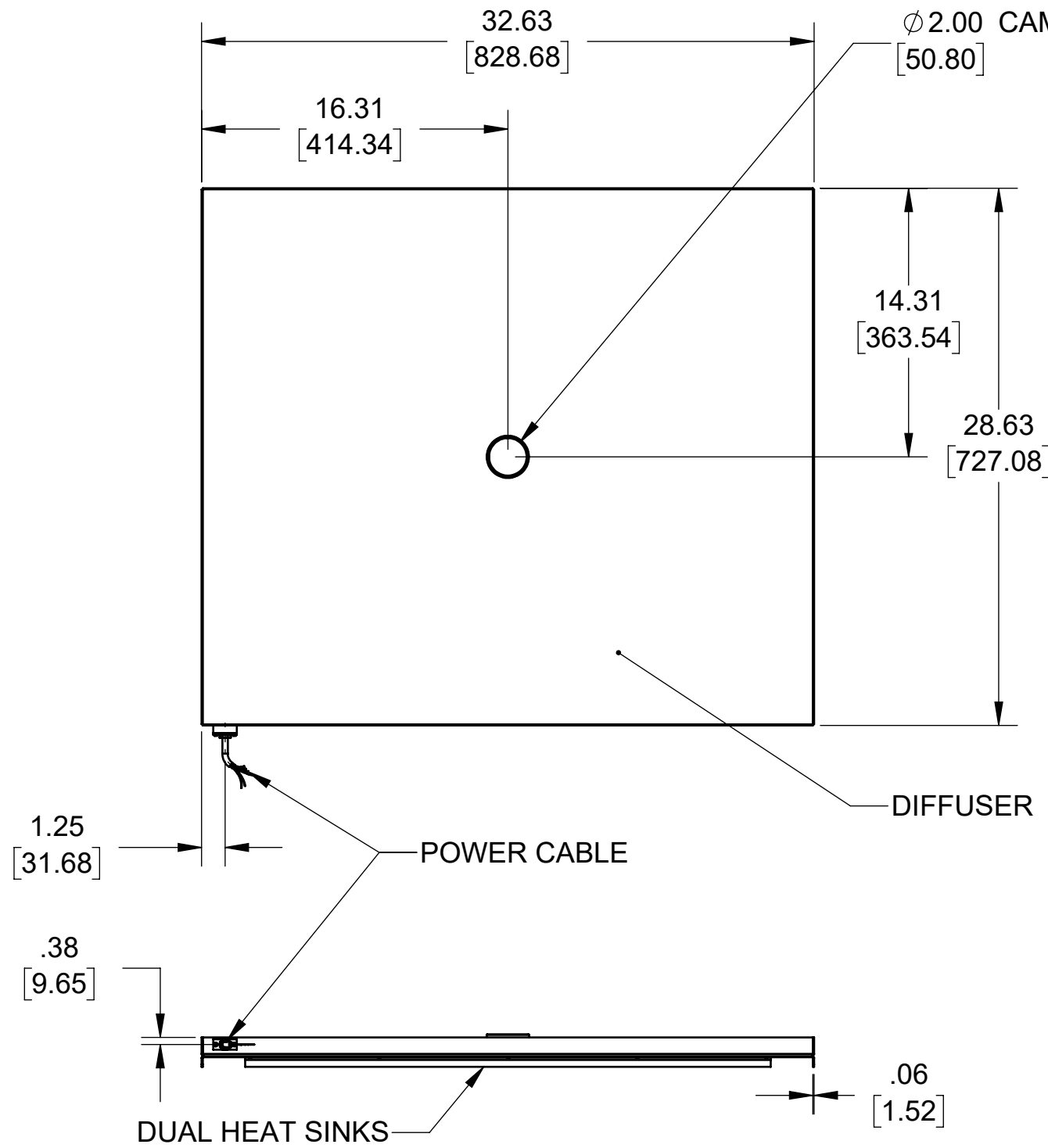


REVISIONS			
REV.	DESCRIPTION	DATE	APPROVED
A	INITIAL RELEASE	4/18/2018	



DETAIL C
SCALE 1 : 4

MOUNTING HOLES
Ø .19 [4.76] THRU ALL
4 HOLES NEAR SIDE
4 HOLES FAR SIDE

SEE SHEET 2 FOR EXPLODED VIEW AND BOM.

Metaphase Technologies, Inc. 211 Sinclair Road, Suite 100, Bristol, PA. 19007 215-639-8699 Fax 215-639-0977			
QUANTITY:	Per order	TOLERANCE/FINISH UNLESS OTHERWISE SPECIFIED	
MATERIAL:	See BOM	INCHES [MM] 125√RMS [RA3.2um]	
FINISH:	Black Anodize/ Acrylic	X	.X .XX .XXX
TREATMENT:	N/A	[±.76]	±.030 [±.25] ±.010 [±.13] ±.005 ANGLES ±1°

THIS DOCUMENT IS THE PROPERTY OF METAPHASE TECHNOLOGIES, INC. WHOM MAY LOAN IT, SUBJECT TO RETURN UPON DEMAND. IT INCLUDES CONFIDENTIAL & PROPRIETARY INFORMATION WHICH MAY NOT BE DISCLOSED TO ANY THIRD PARTY, AND/ OR USED FOR ANY PURPOSE CONTRARY TO IT'S INTENDED USE, WITHOUT THE EXPRESSED PRIOR WRITTEN CONSENT OF METAPHASE TECHNOLOGIES, INC.



TITLE	Top Assy.; OBL28X32-1 2.00 ID		
USED ON	Per customer		
SIZE	DRAWING NUMBER	REV	
B	OBL28x32-1-1	A	
SCALE 1:8	SHEET 1 OF 1		

Approval Signature _____ / / Date _____