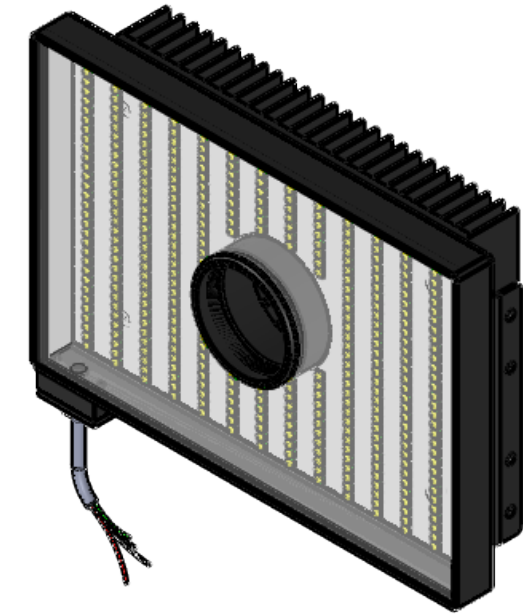
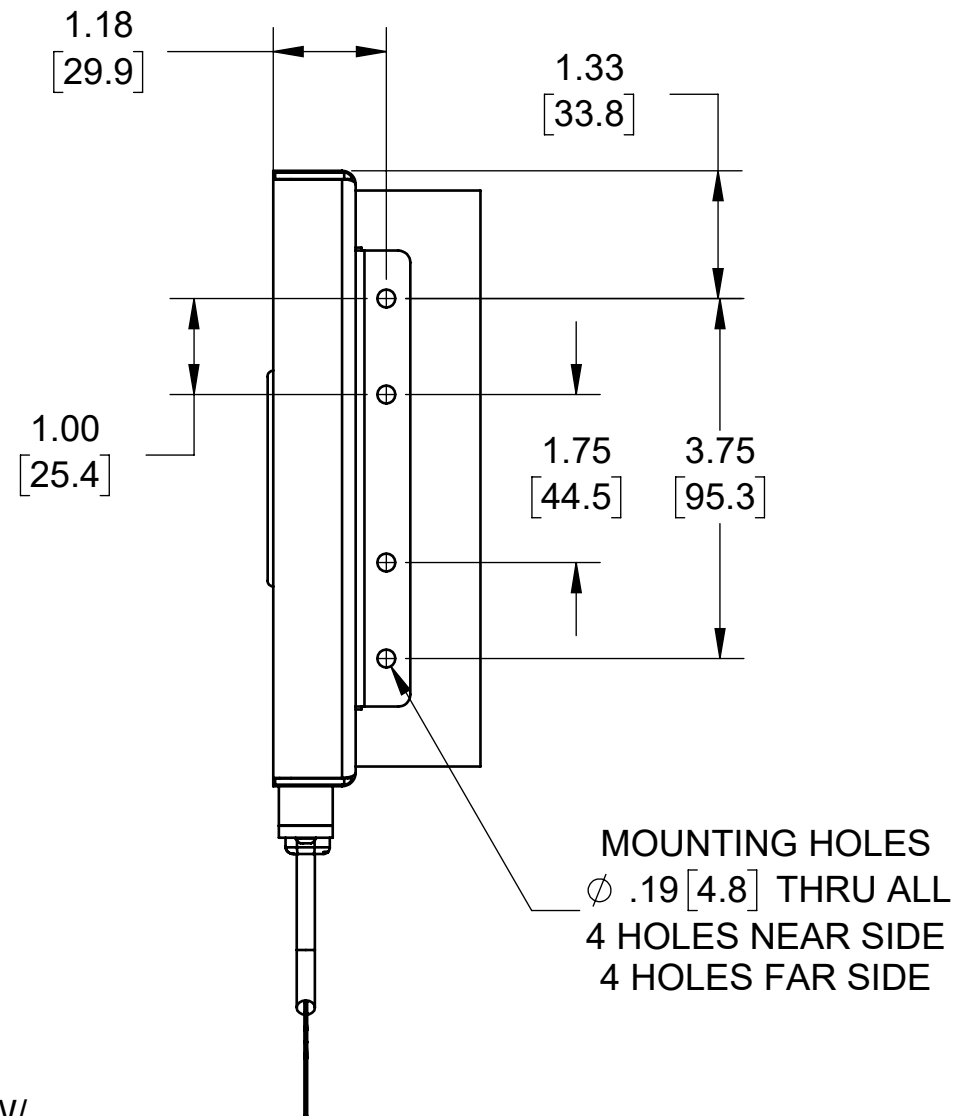
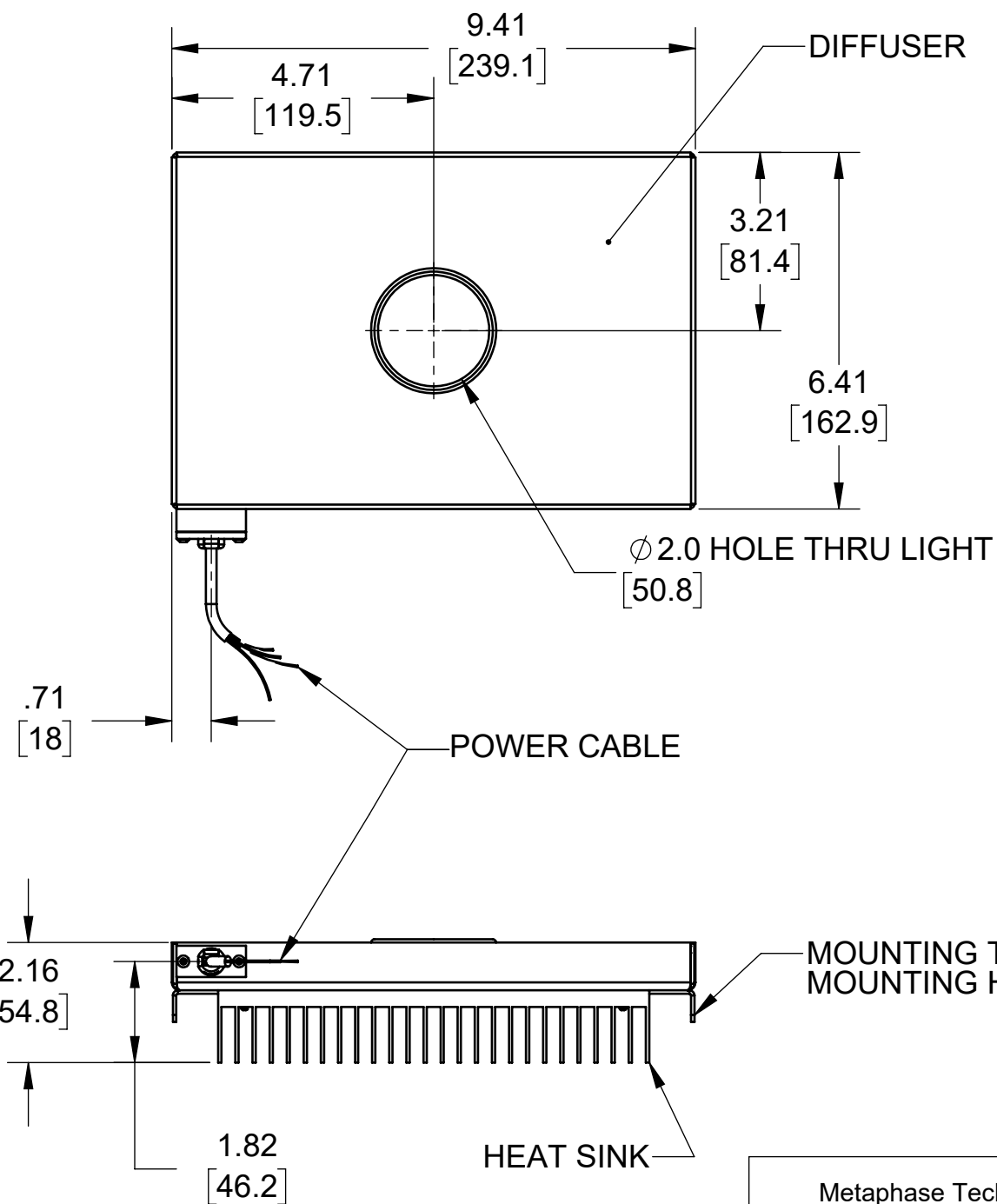


REVISIONS			
REV.	DESCRIPTION	DATE	APPROVED
A	INITIAL RELEASE	6/14/2014	
B	2 1/4"-40 THREAD ADDED TO HEATSINK TO EXCEPT THREADED CENTER SLEEVE.	10/22/2015	



Metaphase Technologies, Inc. 211 Sinclair Road, Suite 100, Bristol, PA. 19007 215-639-8699 Fax 215-639-0977													
QUANTITY: Per order MATERIAL: See BOM FINISH: As supplied TREATMENT: N/A	TOLERANCE/FINISH UNLESS OTHERWISE SPECIFIED INCHES [MM] <table border="1"> <tr> <td>X</td> <td>.X</td> <td>.XX</td> <td>.XXX</td> <td>125√RMS [RA3.2um]</td> </tr> <tr> <td>[±.76]</td> <td>±.030 [±.25]</td> <td>±.010 [±.13]</td> <td>±.005</td> <td>ANGLES ±1°</td> </tr> </table>	X	.X	.XX	.XXX	125√RMS [RA3.2um]	[±.76]	±.030 [±.25]	±.010 [±.13]	±.005	ANGLES ±1°	THIS DOCUMENT IS THE PROPERTY OF METAPHASE TECHNOLOGIES, INC. WHOM MAY LOAN IT, SUBJECT TO RETURN UPON DEMAND. IT INCLUDES CONFIDENTIAL & PROPRIETARY INFORMATION WHICH MAY NOT BE DISCLOSED TO ANY THIRD PARTY, AND/ OR USED FOR ANY PURPOSE CONTRARY TO IT'S INTENDED USE, WITHOUT THE EXPRESSED PRIOR WRITTEN CONSENT OF METAPHASE TECHNOLOGIES, INC.	TITLE Omni Back Light w/ 2.0" Camera Hole USED ON Per Customer SIZE B DRAWING NUMBER OBL6X9-1-1 SCALE 1:8 REV B SHEET 1 OF 1
X	.X	.XX	.XXX	125√RMS [RA3.2um]									
[±.76]	±.030 [±.25]	±.010 [±.13]	±.005	ANGLES ±1°									

SEE SHEET 2 FOR EXPLODED VIEW AND BOM

Approval Signature _____ Date ____/____/____