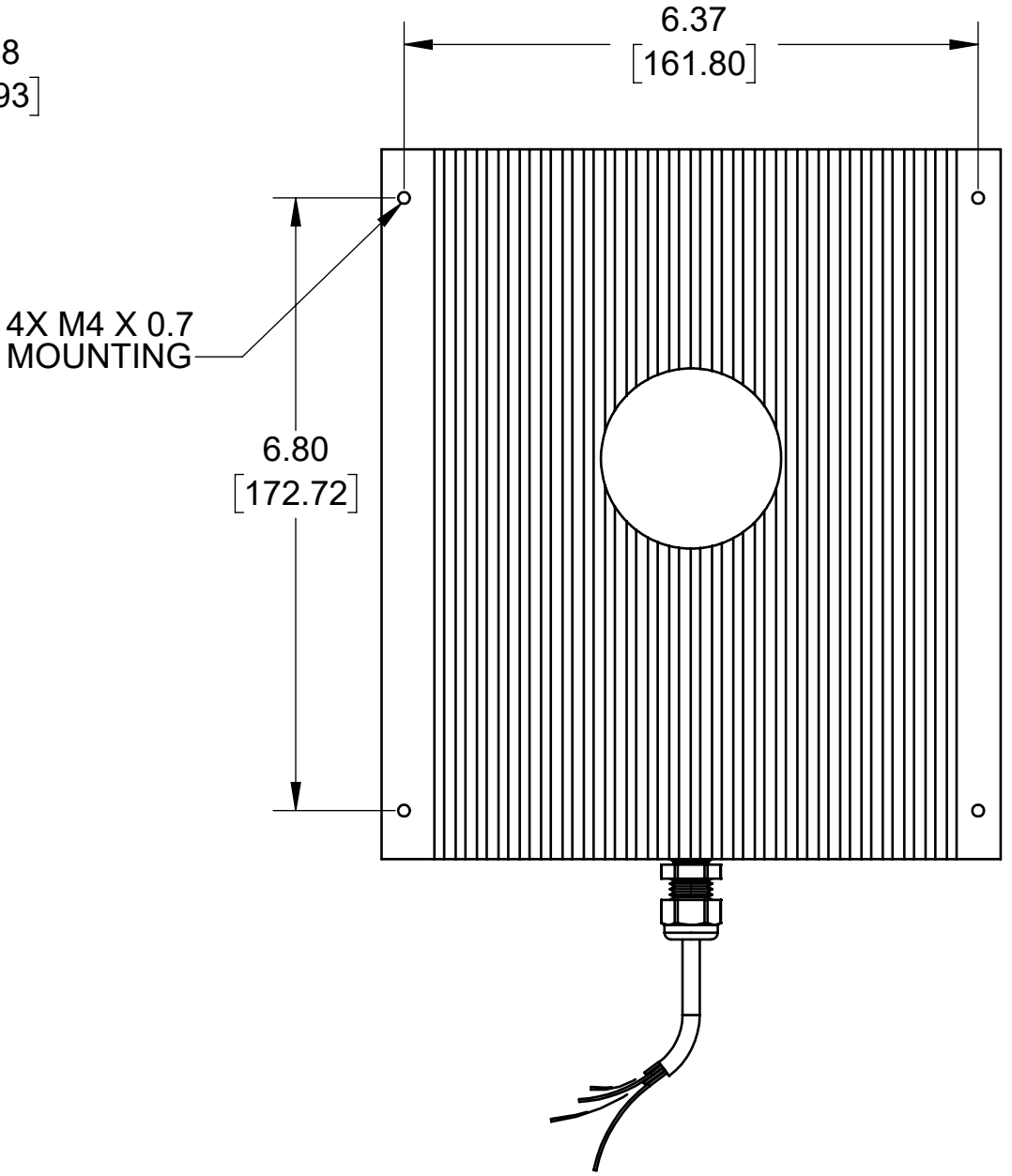
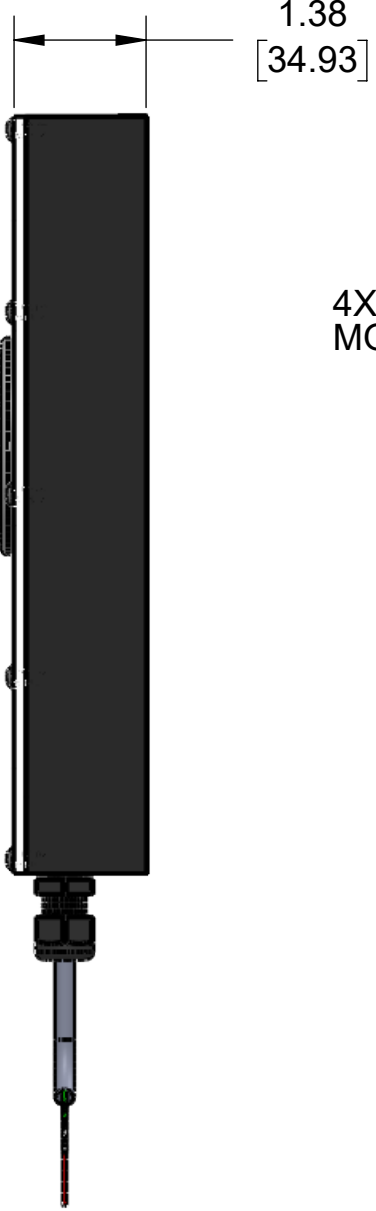
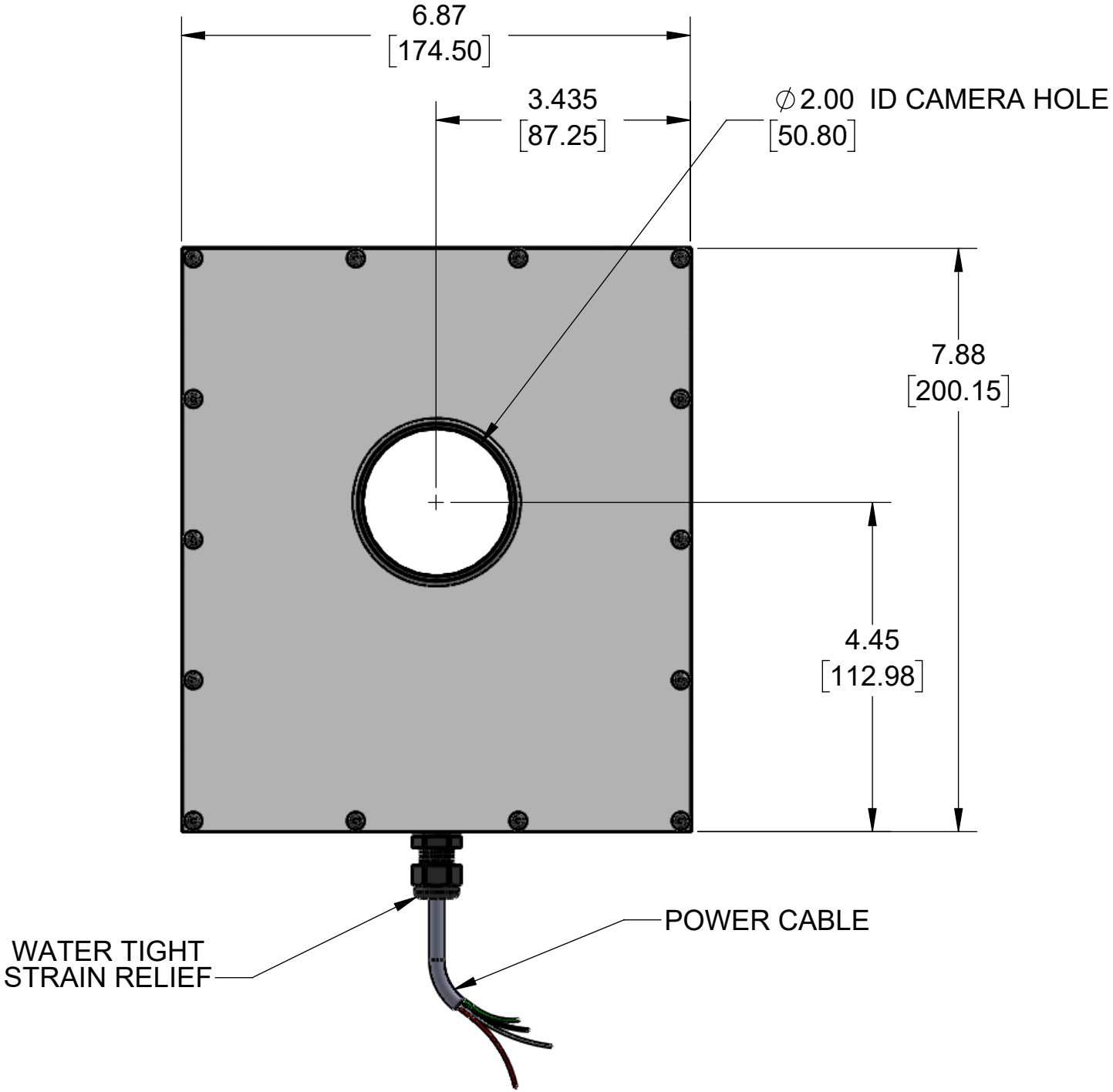


REVISIONS				
REV.	DESCRIPTION	DATE	APPROVED	
A	INITIAL RELEASE	4/7/2014		
C	DIFFUSER THICKNESS REDUCED FROM .250 TO .125 AND CENTER RETAINER OVERALL HEIGHT REDUCED FROM .625 TO .500.	12/16/2014		
D	SHOW MOUNTING HOLE SIZE AND LOCATION	6/16/2016		
E	UPDATED ASSY FOR MERGED CENTER HUB	7/21/2016		



Metaphase Technologies, Inc. 211 Sinclair Road, Suite 100, Bristol, PA. 19007 215-639-8699 Fax 215-639-0977



QUANTITY:	Per order
MATERIAL:	Per BOM
FINISH:	Black Anodized
TREATMENT:	N/A

TOLERANCE/FINISH UNLESS OTHERWISE SPECIFIED				
INCHES [MM]				
X	.X	.XX	.XXX	125√RMS [RA3.2um]
[±.76]	±.030 [±.25]	±.010 [±.13]	±.005	ANGLES ±1°

THIS DOCUMENT IS THE PROPERTY OF METAPHASE TECHNOLOGIES, INC. WHOM MAY LOAN IT, SUBJECT TO RETURN UPON DEMAND. IT INCLUDES CONFIDENTIAL & PROPRIETARY INFORMATION WHICH MAY NOT BE DISCLOSED TO ANY THIRD PARTY, AND/ OR USED FOR ANY PURPOSE CONTRARY TO IT'S INTENDED USE, WITHOUT THE EXPRESSED PRIOR WRITTEN CONSENT OF METAPHASE TECHNOLOGIES, INC.

TITLE Top Assy.- OBL Custom		
USED ON Per customer		
SIZE B	DRAWING NUMBER OBL6x6-1-1	REV E
SCALE 1:4		SHEET 1 OF 1

Approval Signature _____

/ /
Date