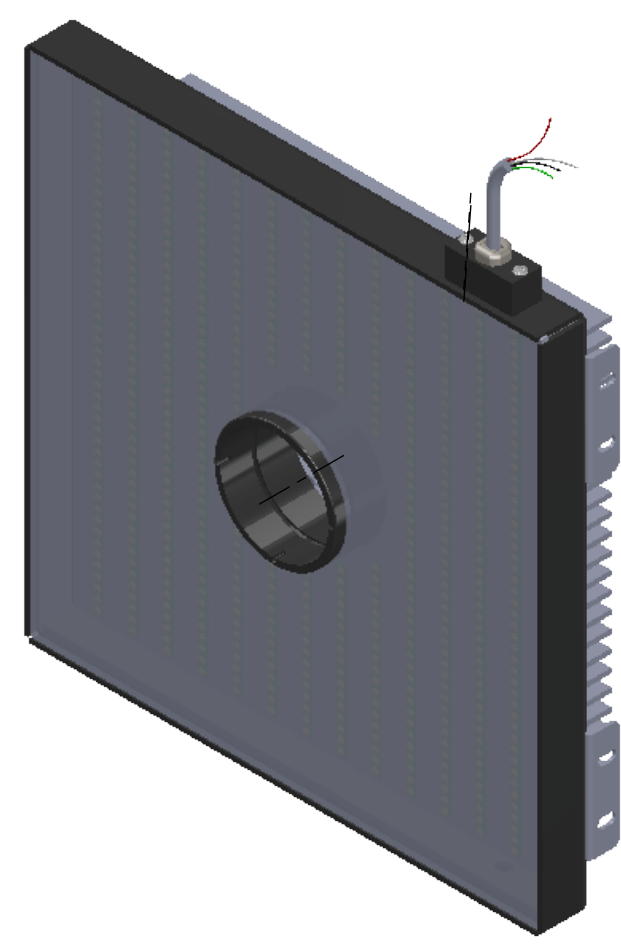
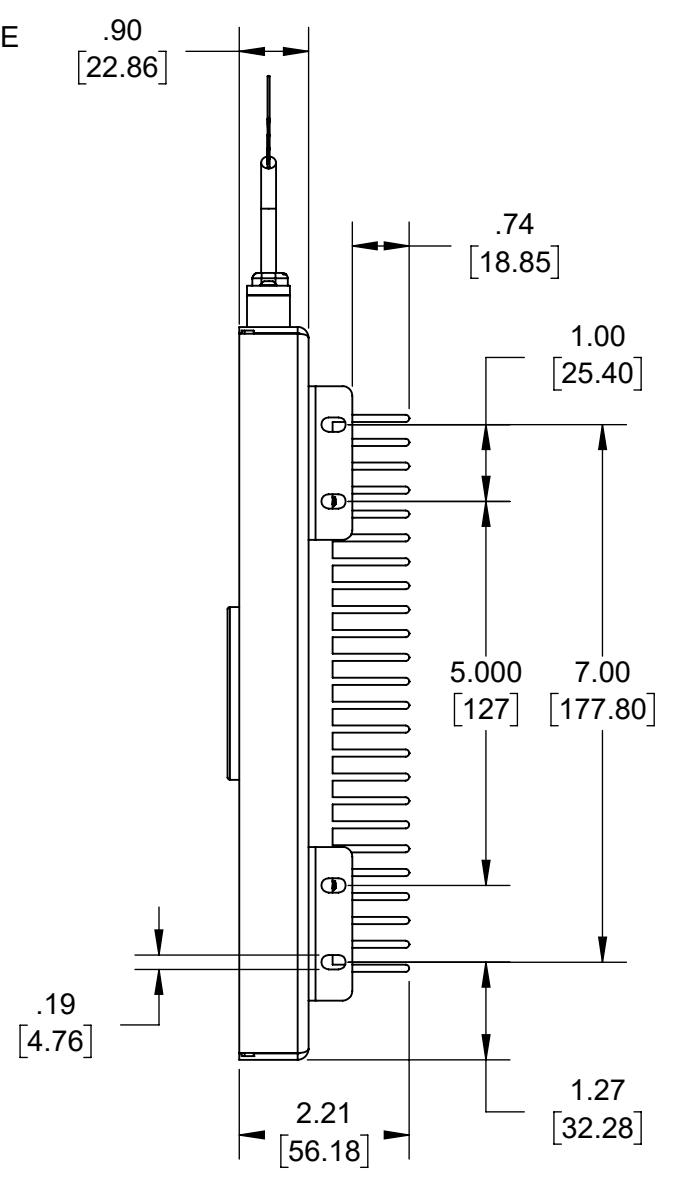
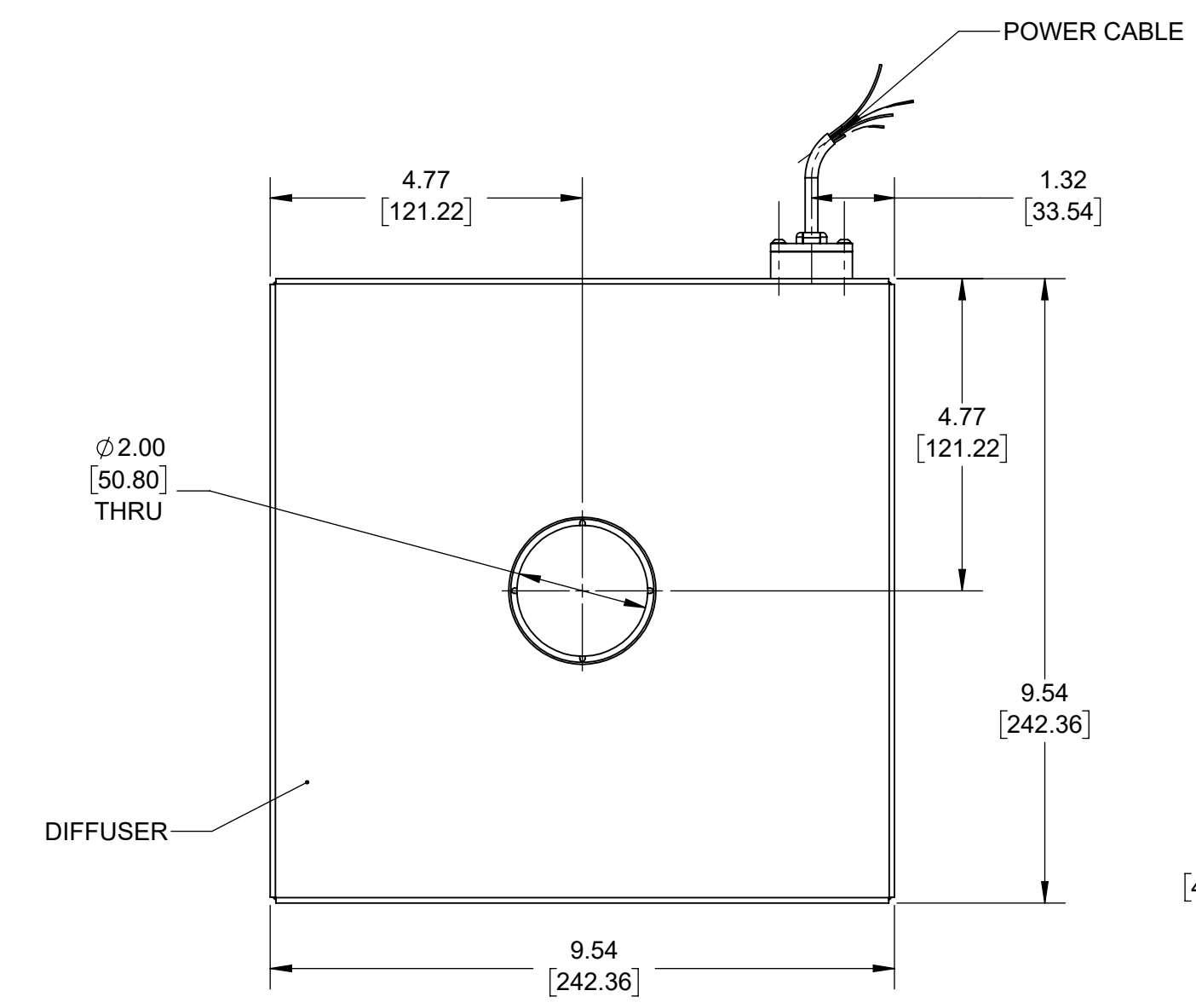
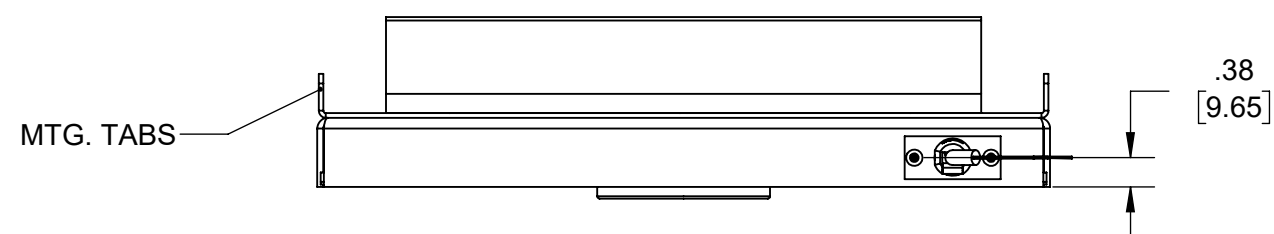


REVISIONS			
REV.	DESCRIPTION	DATE	APPROVED
D	REVISED AND REDRAWN	4/20/2016	
E	ECO10068	9/20/19	



Metaphase Technologies, Inc. 211 Sinclair Road, Suite 100, Bristol, PA. 19007 215-639-8699 Fax 215-639-0977



<b>QUANTITY:</b>	Per order
<b>MATERIAL:</b>	See BOM
<b>FINISH:</b>	Black Oxide
<b>TREATMENT:</b>	N/A

TOLERANCE/FINISH UNLESS OTHERWISE SPECIFIED				
INCHES [MM]				125√RMS [RA3.2um]
X	.X	.XX	.XXX	
[±.76]	[±.030 [±.25]]	[±.010 [±.13]]	±.005	ANGLES ±1°

THIS DOCUMENT IS THE PROPERTY OF METAPHASE TECHNOLOGIES, INC. WHOM MAY LOAN IT, SUBJECT TO RETURN UPON DEMAND. IT INCLUDES CONFIDENTIAL & PROPRIETARY INFORMATION WHICH MAY NOT BE DISCLOSED TO ANY THIRD PARTY, AND/ OR USED FOR ANY PURPOSE CONTRARY TO IT'S INTENDED USE, WITHOUT THE EXPRESSED PRIOR WRITTEN CONSENT OF METAPHASE TECHNOLOGIES, INC.

TITLE Assy., OBL9X9-1 Ø2.00 Hole		
USED ON Per Customer		
SIZE B	DRAWING NUMBER OBL9X9-1-1	REV E
SCALE 1:4		SHEET 1 OF 2

Approval Signature \_\_\_\_\_ / / Date \_\_\_\_\_