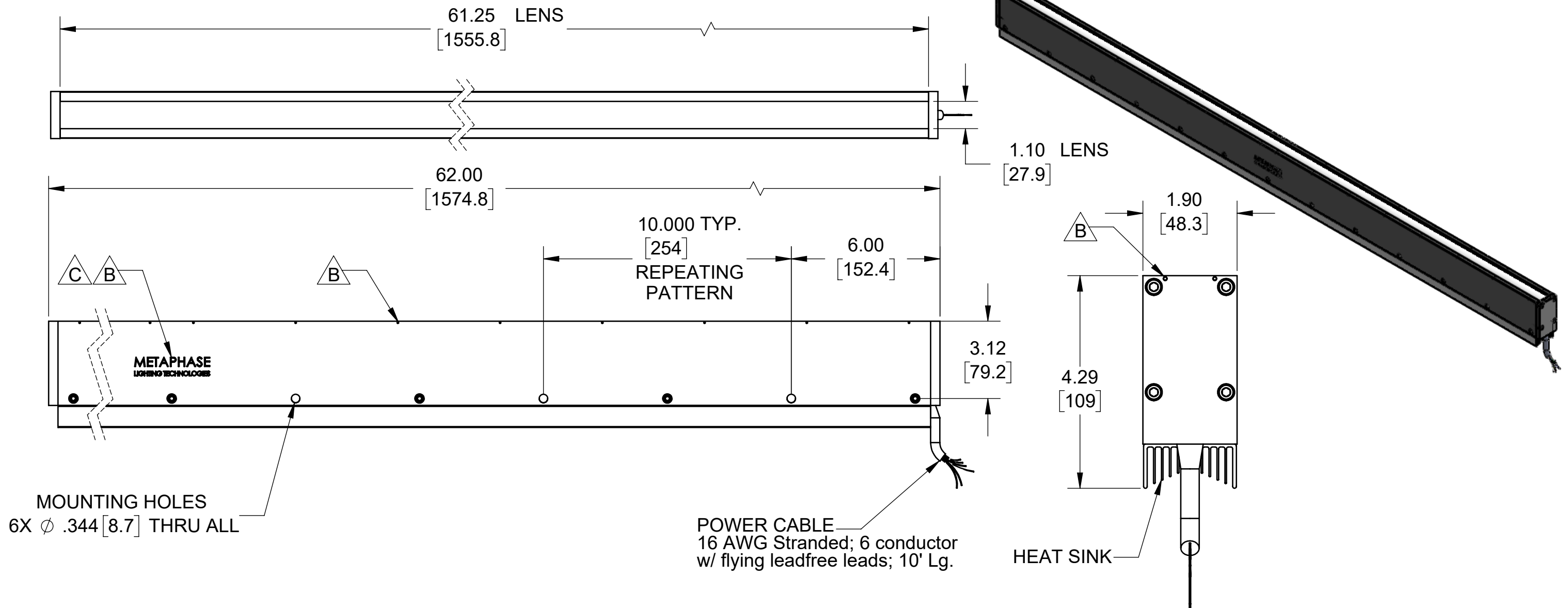


REVISIONS			
REV.	DESCRIPTION	DATE	APPROVED
A	INITIAL RELEASE	1/8/2013	
B	ADDED M2 THREADED HOLES FOR ABILITY TO ADD LENS COVER IN THE FUTURE - METAPHASE LOGO ADDED TO SIDE PLATE.	12/29/2015	
C	CHANHED LOGO SIZE	10/27/2016	



SEE SHEET 2 FOR EXPLODED VIEW AND BOM

Metaphase Technologies, Inc. 211 Sinclair Road, Suite 100, Bristol, PA. 19007 215-639-8699 Fax 215-639-0977



QUANTITY:	Per order	TOLERANCE/FINISH UNLESS OTHERWISE SPECIFIED				
MATERIAL:	Per BOM	INCHES [MM]				
FINISH:	Clear/Black Anodize	X	.X	.XX	.XXX	125V RMS [RA3.2um]
TREATMENT:	N/A	[±.76]	±.030 [±.25]	±.010 [±.13]	±.005	ANGLES ±1°

THIS DOCUMENT IS THE PROPERTY OF METAPHASE TECHNOLOGIES, INC. WHOM MAY LOAN IT, SUBJECT TO RETURN UPON DEMAND. IT INCLUDES CONFIDENTIAL & PROPRIETARY INFORMATION WHICH MAY NOT BE DISCLOSED TO ANY THIRD PARTY, AND/ OR USED FOR ANY PURPOSE CONTRARY TO IT'S INTENDED USE, WITHOUT THE EXPRESSED PRIOR WRITTEN CONSENT OF METAPHASE TECHNOLOGIES, INC.

TITLE	Top Assembly- 60" Line Light		
USED ON	Per customer		
SIZE	DRAWING NUMBER	REV	
B	UL-LL1309-1	C	
SCALE	1:4	SHEET	1 OF 2

Approval Signature _____ Date ____/____/____