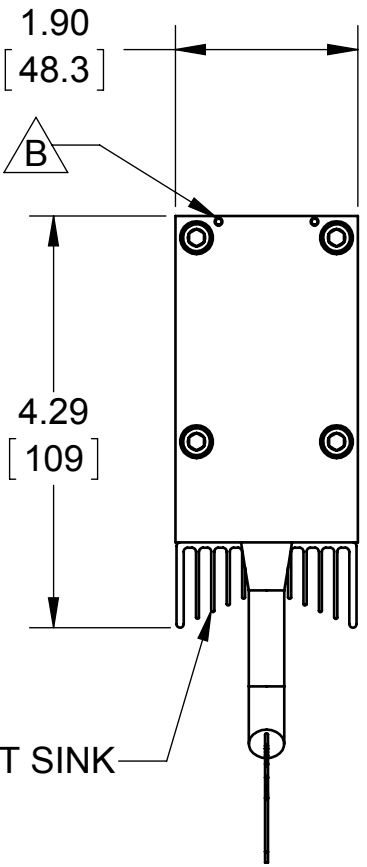
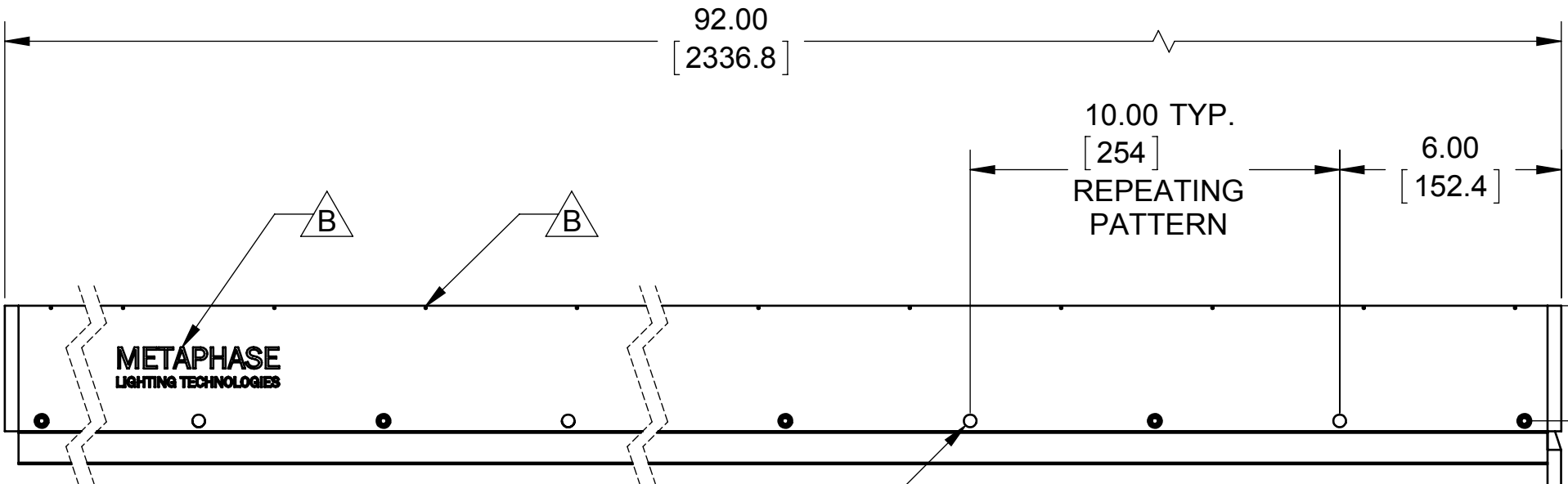
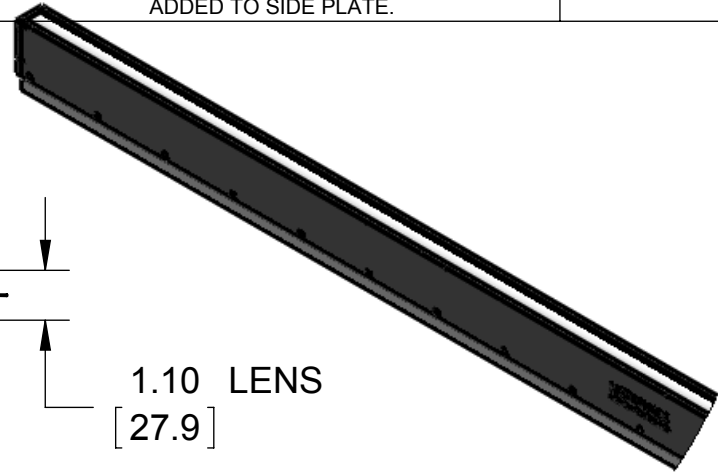
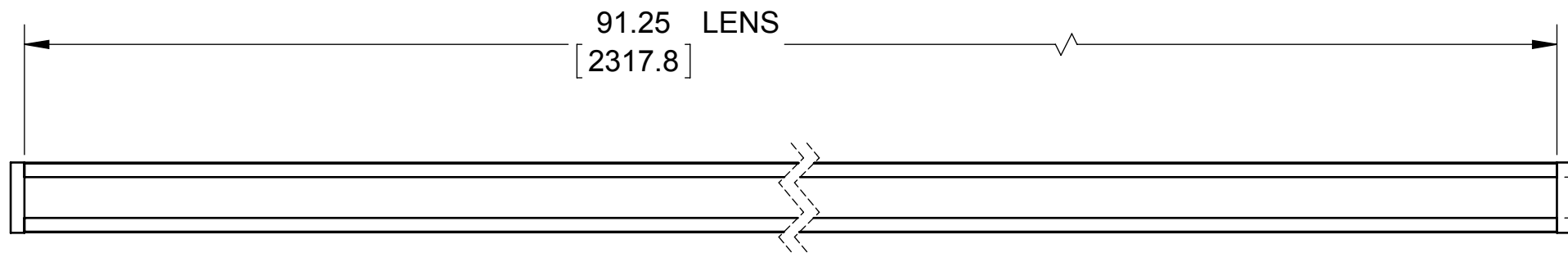


REVISIONS			
REV.	DESCRIPTION	DATE	APPROVED
A	INITIAL RELEASE	1/8/2013	
B	ADDED M2 THREADED HOLES FOR ABILITY TO ADD LENS COVER IN THE FUTURE - METAPHASE LOGO ADDED TO SIDE PLATE.	12/29/2015	



**METAPHASE**  
LIGHTING TECHNOLOGIES

MOUNTING HOLES  
9X  $\phi$  .344 [8.7] THRU ALL

POWER CABLE  
16 AWG Stranded; 6 conductor  
w/ flying leadfree leads; 10' Lg.

HEAT SINK

Metaphase Technologies, Inc. 211 Sinclair Road, Suite 100, Bristol, PA. 19007 215-639-8699 Fax 215-639-0977



**QUANTITY:** Per order  
**MATERIAL:** Per BOM  
**FINISH:** Clear/Black Anodize  
**TREATMENT:** N/A

TOLERANCE/FINISH UNLESS OTHERWISE SPECIFIED				
	INCHES[MM]			125V RMS [RA3.2um]
X	.X	.XX	.XXX	
[±.76]	±.030 [±.25]	±.010 [±.13]	±.005	ANGLES±1°

THIS DOCUMENT IS THE PROPERTY OF **METAPHASE TECHNOLOGIES, INC.** WHOM MAY LOAN IT, SUBJECT TO RETURN UPON DEMAND. IT INCLUDES CONFIDENTIAL & PROPRIETARY INFORMATION WHICH MAY NOT BE DISCLOSED TO ANY THIRD PARTY, AND/ OR USED FOR ANY PURPOSE CONTRARY TO IT'S INTENDED USE, WITHOUT THE EXPRESSED PRIOR WRITTEN CONSENT OF **METAPHASE TECHNOLOGIES, INC.**

TITLE  
**Top Assembly- 90" Line Light**

USED ON  
Per customer

SIZE <b>B</b>	DRAWING NUMBER <b>UL-LL1909-1</b>	REV <b>B</b>
SCALE 1:4		SHEET 1 OF 2

Approval Signature

/ /  
Date