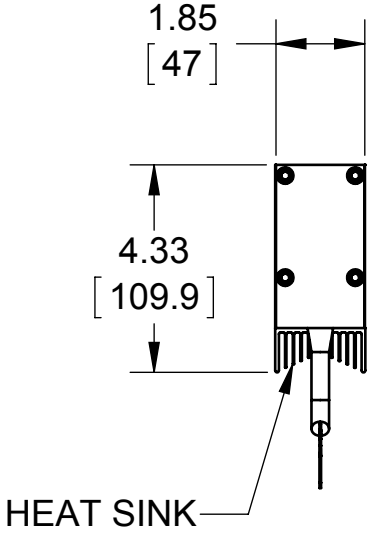
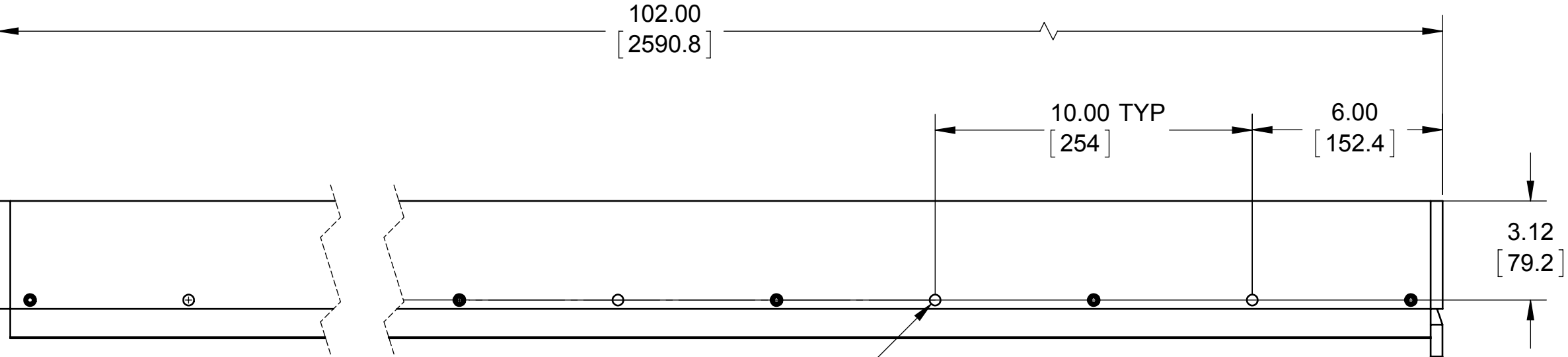
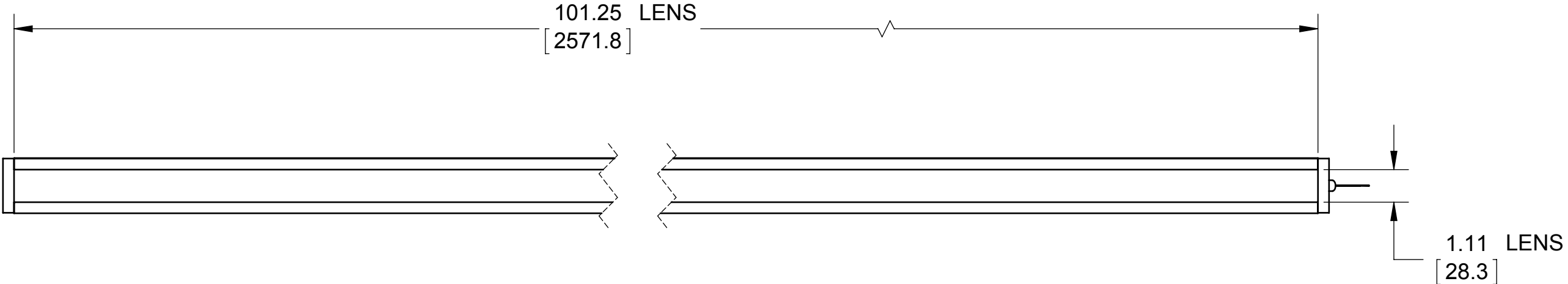


REVISIONS			
REV.	DESCRIPTION	DATE	APPROVED



MOUNTING HOLES
10X ϕ .34 [8.7]
THRU ALL

POWER CABLE
16 AWG Stranded; 6 conductor
w/ flying leadfree leads; 10' Lg.

Metaphase Technologies, Inc. 211 Sinclair Road, Suite 100, Bristol, PA. 19007 215-639-8699 Fax 215-639-0977

QUANTITY: Per order

MATERIAL: Per BOM

FINISH: Black Anodize

TREATMENT: N/A

TOLERANCE/FINISH UNLESS OTHERWISE SPECIFIED				
INCHES[MM]				125V RMS [RA3.2um]
X	.X	.XX	.XXX	ANGLES \pm 1°
[\pm .76]	[\pm .030 [\pm .25]	[\pm .010 [\pm .13]	\pm .005	

THIS DOCUMENT IS THE PROPERTY OF METAPHASE TECHNOLOGIES, INC. WHOM MAY LOAN IT, SUBJECT TO RETURN UPON DEMAND. IT INCLUDES CONFIDENTIAL & PROPRIETARY INFORMATION WHICH MAY NOT BE DISCLOSED TO ANY THIRD PARTY, AND/ OR USED FOR ANY PURPOSE CONTRARY TO IT'S INTENDED USE, WITHOUT THE EXPRESSED PRIOR WRITTEN CONSENT OF METAPHASE TECHNOLOGIES, INC.



TITLE
Top Assembly- 100" Line Light

USED ON
Per customer

SIZE B	DRAWING NUMBER UL-LL2109-1	REV A
SCALE 1:4		SHEET 1 OF 2

Approval Signature _____

/ /
Date