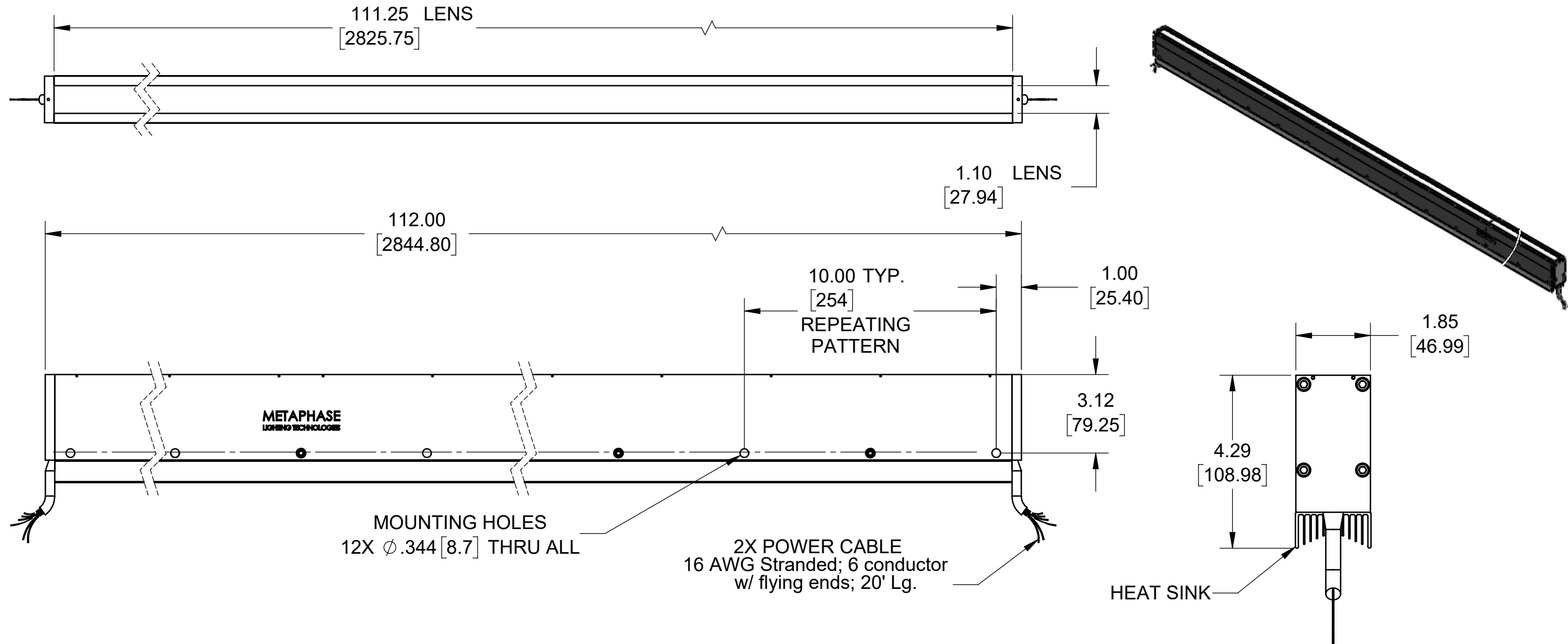


REVISIONS			
REV.	DESCRIPTION	DATE	APPROVED
A	INITIAL RELEASE	1/8/2013	
B	ADDED M2 THREADED HOLES FOR ABILITY TO ADD LENS COVER IN THE FUTURE - METAPHASE LOGO ADDED TO SIDE PLATE.	1/13/2016	
C	CHANGED LOGO SIZE	10/29/2016	
D	CABLE UPDATE	12/28/2017	



Metaphase Technologies, Inc. 211 Sinclair Road, Suite 100, Bristol, PA. 19007 215-639-8699 Fax 215-639-0977



SEE SHEET 2 FOR EXPLODED VIEW AND BOM

QUANTITY:	Per order
MATERIAL:	Per BOM
FINISH:	Clear/Black Anodize
TREATMENT:	N/A

TOLERANCE/FINISH UNLESS OTHERWISE SPECIFIED				
INCHES [MM]				
X	.X	.XX	.XXX	125√RMS [RA3.2um]
[±.76]	±.030 [±.25]	±.010 [±.13]	±.005	ANGLES ±1°

THIS DOCUMENT IS THE PROPERTY OF METAPHASE TECHNOLOGIES, INC. WHOM MAY LOAN IT, SUBJECT TO RETURN UPON DEMAND. IT INCLUDES CONFIDENTIAL & PROPRIETARY INFORMATION WHICH MAY NOT BE DISCLOSED TO ANY THIRD PARTY, AND/OR USED FOR ANY PURPOSE CONTRARY TO IT'S INTENDED USE, WITHOUT THE EXPRESSED PRIOR WRITTEN CONSENT OF METAPHASE TECHNOLOGIES, INC.

TITLE
Top Assembly- 110" Line Light

USED ON
Per customer

SIZE B	DRAWING NUMBER UL-LL2309-1	REV D
SCALE 1:4		SHEET 1 OF 1

Approval Signature

/ /
Date