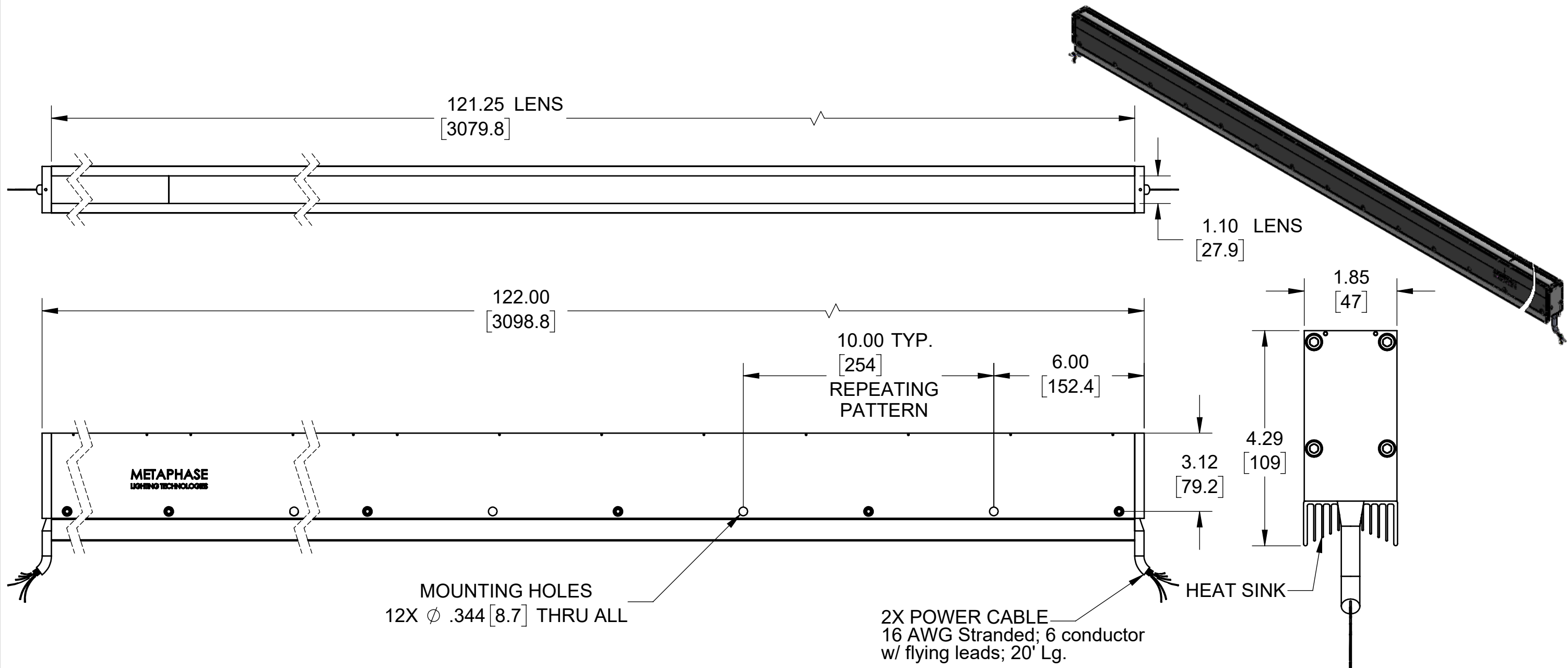


REVISIONS			
REV.	DESCRIPTION	DATE	APPROVED
A	INITIAL RELEASE	1/8/2013	
B	ADDED M2 THREADED HOLES FOR ABILITY TO ADD LENS COVER IN THE FUTURE - METAPHASE LOGO ADDED TO SIDE PLATE.	1/14/2016	
C	CHANGED LOGO SIZE	10/30/2016	
D	CABLE UPDATE	12/28/2017	



Metaphase Technologies, Inc. 211 Sinclair Road, Suite 100, Bristol, PA. 19007 215-639-8699 Fax 215-639-0977



SEE SHEET 2 FOR EXPLODED VIEW AND BOM

Approval Signature \_\_\_\_\_

\_\_\_\_\_ / / \_\_\_\_\_  
Date

<b>QUANTITY:</b>	Per order	TOLERANCE/FINISH UNLESS OTHERWISE SPECIFIED INCHES [MM] <table border="1"> <tr> <td>X</td> <td>.X</td> <td>.XX</td> <td>.XXX</td> <td>125√RMS [RA3.2um]</td> </tr> <tr> <td>[±.76]</td> <td>±.030 [±.25]</td> <td>±.010 [±.13]</td> <td>±.005</td> <td>ANGLES ±1°</td> </tr> </table>	X	.X	.XX	.XXX	125√RMS [RA3.2um]	[±.76]	±.030 [±.25]	±.010 [±.13]	±.005	ANGLES ±1°
X	.X		.XX	.XXX	125√RMS [RA3.2um]							
[±.76]	±.030 [±.25]		±.010 [±.13]	±.005	ANGLES ±1°							
<b>MATERIAL:</b>	Per BOM											
<b>FINISH:</b>	Clear/Black Anodize											
<b>TREATMENT:</b>	N/A											

THIS DOCUMENT IS THE PROPERTY OF METAPHASE TECHNOLOGIES, INC. WHOM MAY LOAN IT, SUBJECT TO RETURN UPON DEMAND. IT INCLUDES CONFIDENTIAL & PROPRIETARY INFORMATION WHICH MAY NOT BE DISCLOSED TO ANY THIRD PARTY, AND/ OR USED FOR ANY PURPOSE CONTRARY TO IT'S INTENDED USE, WITHOUT THE EXPRESSED PRIOR WRITTEN CONSENT OF METAPHASE TECHNOLOGIES, INC.

TITLE Top Assembly- 120" Line Light		
USED ON Per customer		
SIZE B	DRAWING NUMBER UL-LL2509-1	REV D
SCALE 1:4		SHEET 1 OF 1