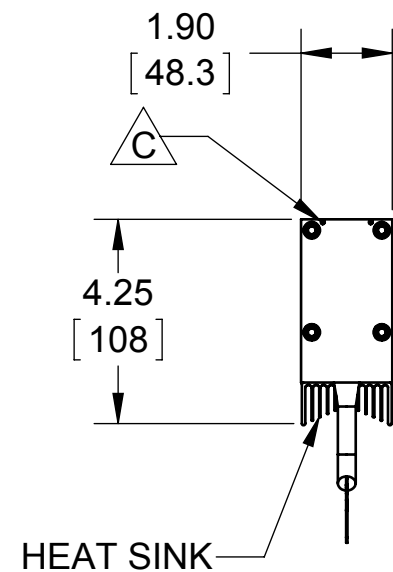
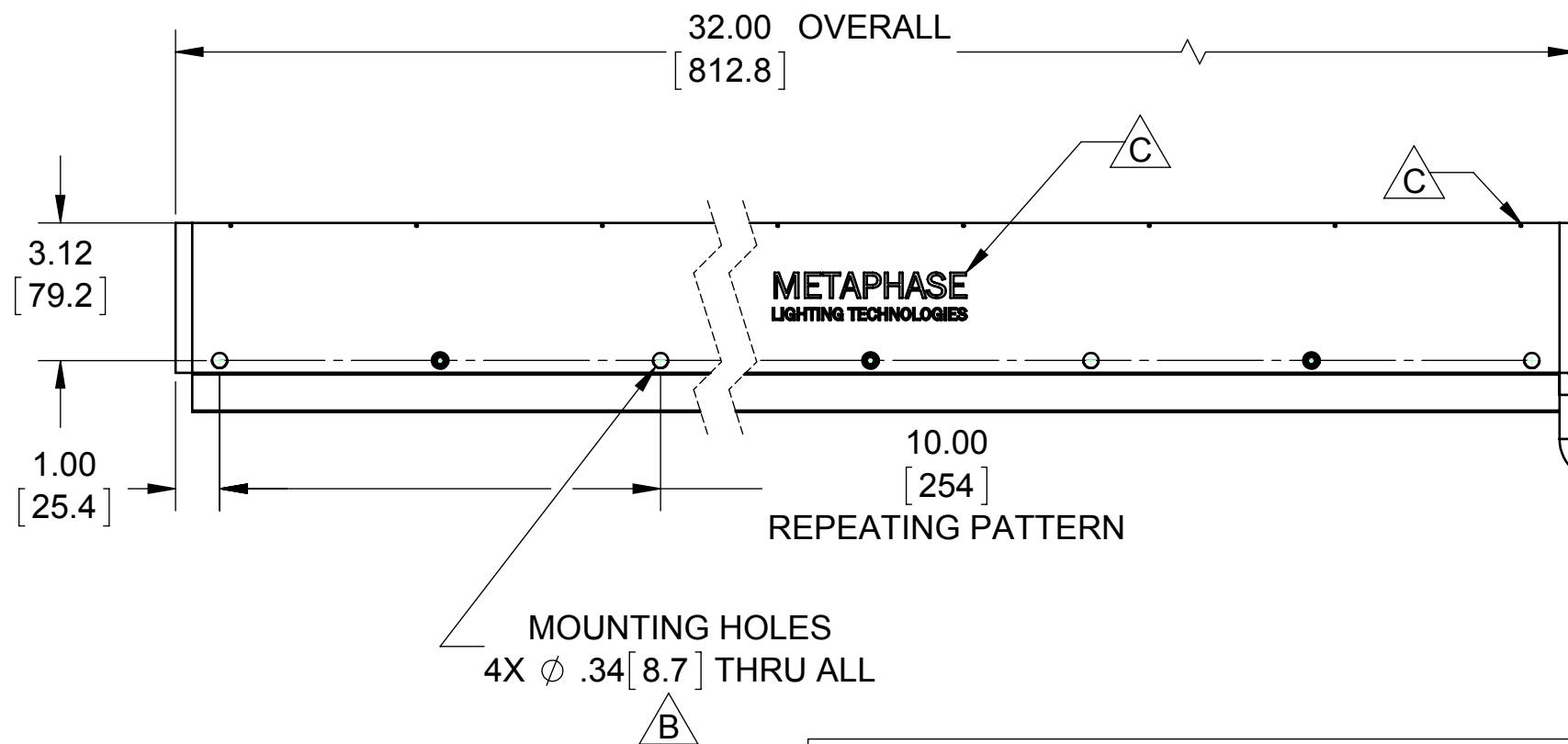
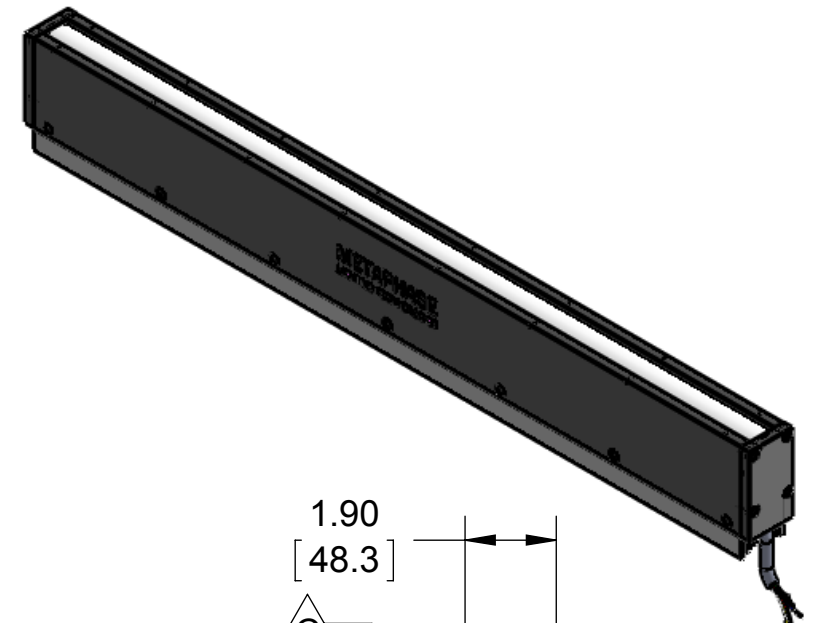
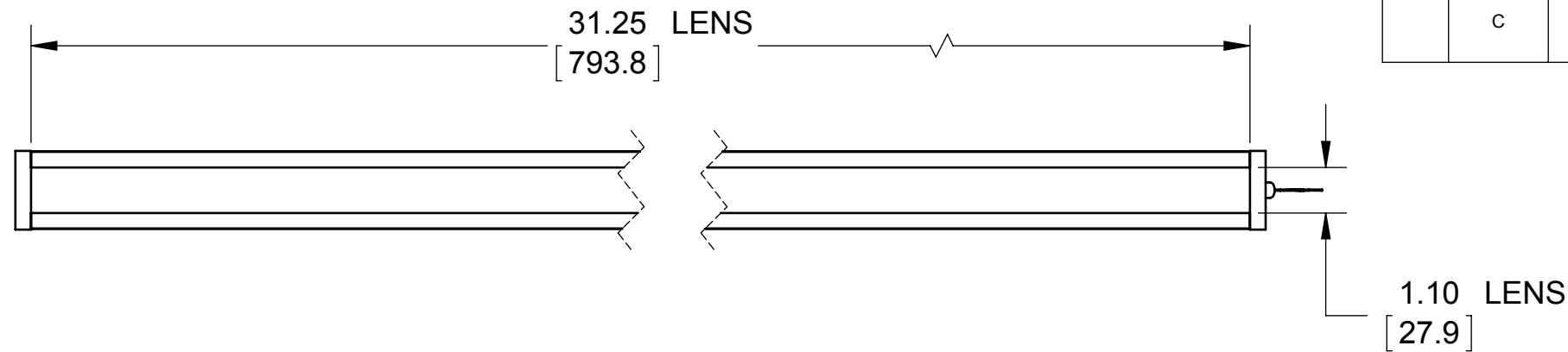


REVISIONS			
REV.	DESCRIPTION	DATE	APPROVED
A	INITIAL RELEASE	2/23/2013	
B	CHANGED HOLE PATTERNS	2/23/2013	
C	ADDED M2 THREADED HOLES FOR ABILITY TO ADD LENS COVER IN THE FUTURE - METAPHASE LOGO ADDED TO SIDE PLATE - PART NUMBER CHANGED FROM UL-LL706 TO UL-LL709.	12/18/2015	



POWER CABLE  
16 AWG Stranded;  
6 conductor flying leads  
10' Cut length

Metaphase Technologies, Inc. 211 Sinclair Road, Suite 100, Bristol, PA. 19007 215-639-8699 Fax 215-639-0977

QUANTITY: Per order

MATERIAL: Per BOM

FINISH: Clear/Black Anodize

TREATMENT: N/A

TOLERANCE/FINISH UNLESS OTHERWISE SPECIFIED				
INCHES[MM]				125V RMS
X	.X	.XX	.XXX	[RA3.2um]
[±.76]	±.030 [±.25]	±.010 [±.13]	±.005	ANGLES±1°

THIS DOCUMENT IS THE PROPERTY OF METAPHASE TECHNOLOGIES, INC. WHOM MAY LOAN IT, SUBJECT TO RETURN UPON DEMAND. IT INCLUDES CONFIDENTIAL & PROPRIETARY INFORMATION WHICH MAY NOT BE DISCLOSED TO ANY THIRD PARTY, AND/ OR USED FOR ANY PURPOSE CONTRARY TO IT'S INTENDED USE, WITHOUT THE EXPRESSED PRIOR WRITTEN CONSENT OF METAPHASE TECHNOLOGIES, INC.



TITLE  
Top Assembly- 30" Line Light

USED ON  
Per customer

SIZE B	DRAWING NUMBER UL-LL709-1	REV C
SCALE 1:12		SHEET 1 OF 2

Approval Signature

/ /  
Date