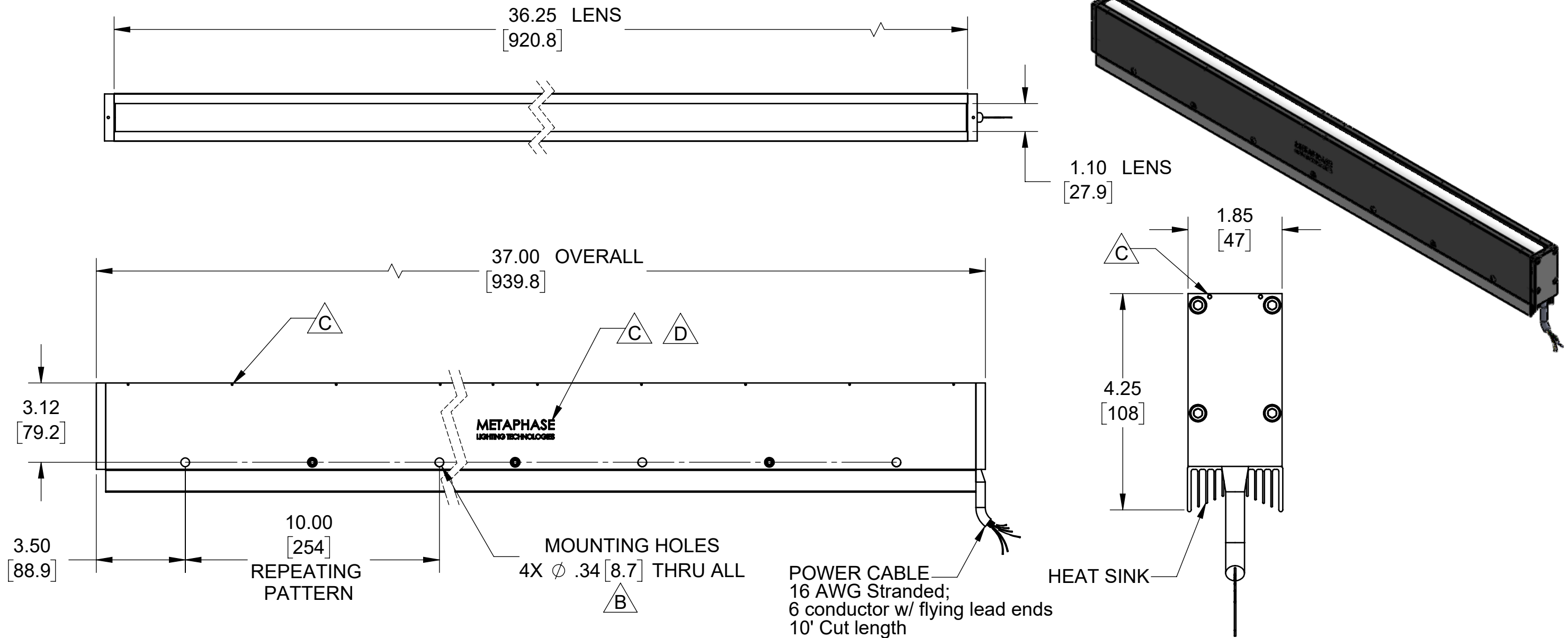


REVISIONS			
REV.	DESCRIPTION	DATE	APPROVED
A	INITIAL RELEASE	2/23/2013	
B	CHANGED HOLE PATTERNS	2/24/2013	
C	ADDED M2 THREADED HOLES FOR ABILITY TO ADD LENS COVER IN THE FUTURE - METAPHASE LOGO ADDED TO SIDE PLATE.	12/19/2015	
D	CHANGED LOGO SIZE	10/25/2016	



SEE SHEET 2 FOR EXPLODED VIEW AND BOM

Metaphase Technologies, Inc. 211 Sinclair Road, Suite 100, Bristol, PA. 19007 215-639-8699 Fax 215-639-0977



<b>QUANTITY:</b>	Per order
<b>MATERIAL:</b>	Per BOM
<b>FINISH:</b>	Clear/Black Anodize
<b>TREATMENT:</b>	N/A

TOLERANCE/FINISH UNLESS OTHERWISE SPECIFIED				
INCHES [MM]				125V RMS [RA3.2um]
X	.X	.XX	.XXX	ANGLES ±1°
[±.76]	±.030 [±.25]	±.010 [±.13]	±.005	

THIS DOCUMENT IS THE PROPERTY OF METAPHASE TECHNOLOGIES, INC. WHOM MAY LOAN IT, SUBJECT TO RETURN UPON DEMAND. IT INCLUDES CONFIDENTIAL & PROPRIETARY INFORMATION WHICH MAY NOT BE DISCLOSED TO ANY THIRD PARTY, AND/ OR USED FOR ANY PURPOSE CONTRARY TO IT'S INTENDED USE, WITHOUT THE EXPRESSED PRIOR WRITTEN CONSENT OF METAPHASE TECHNOLOGIES, INC.

TITLE  
Top Assembly- 35" Line Light

USED ON  
Per customer

SIZE <b>B</b>	DRAWING NUMBER <b>UL-LL809-1</b>	REV <b>D</b>
SCALE 1:4		SHEET 1 OF 2

Approval Signature

/ /  
Date