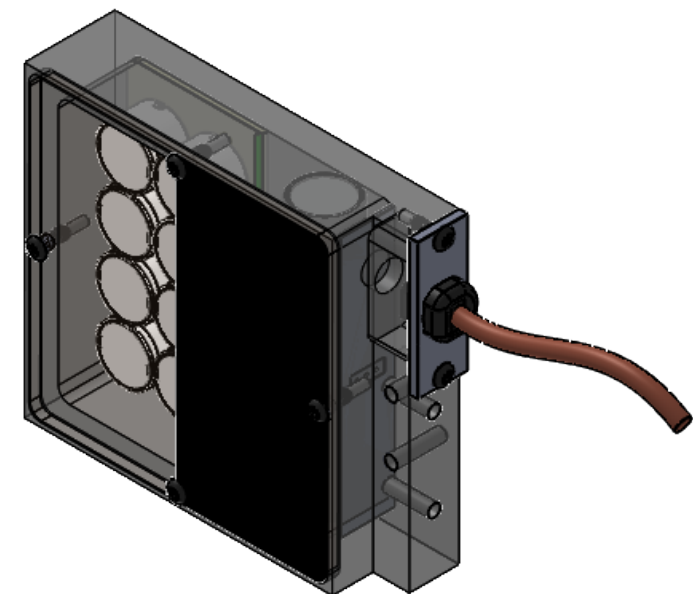
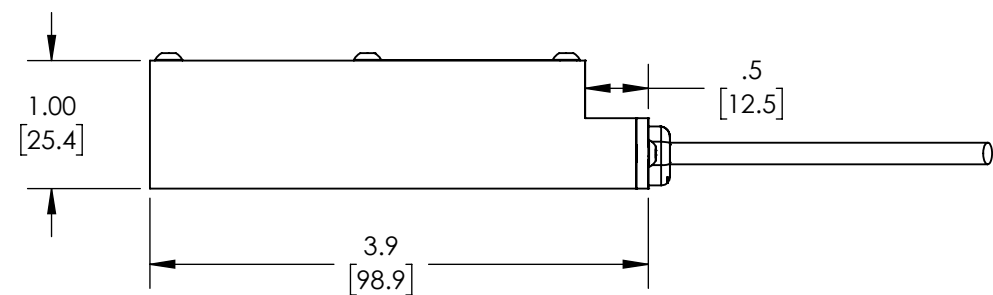
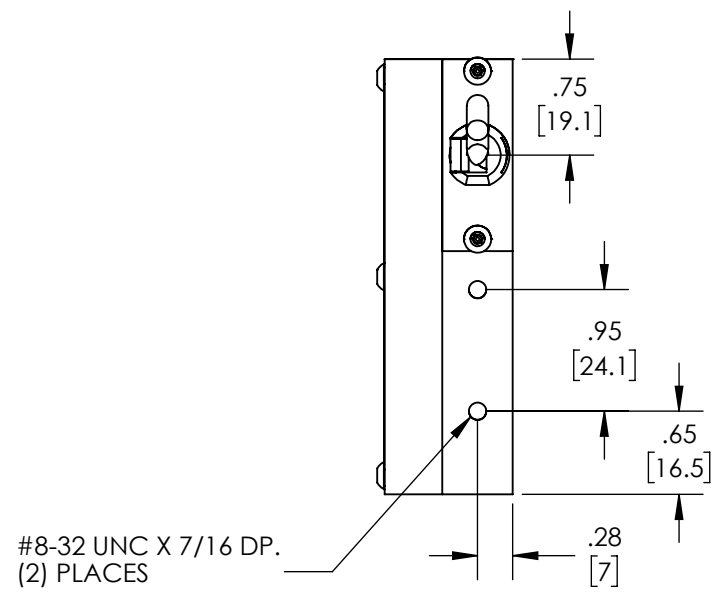
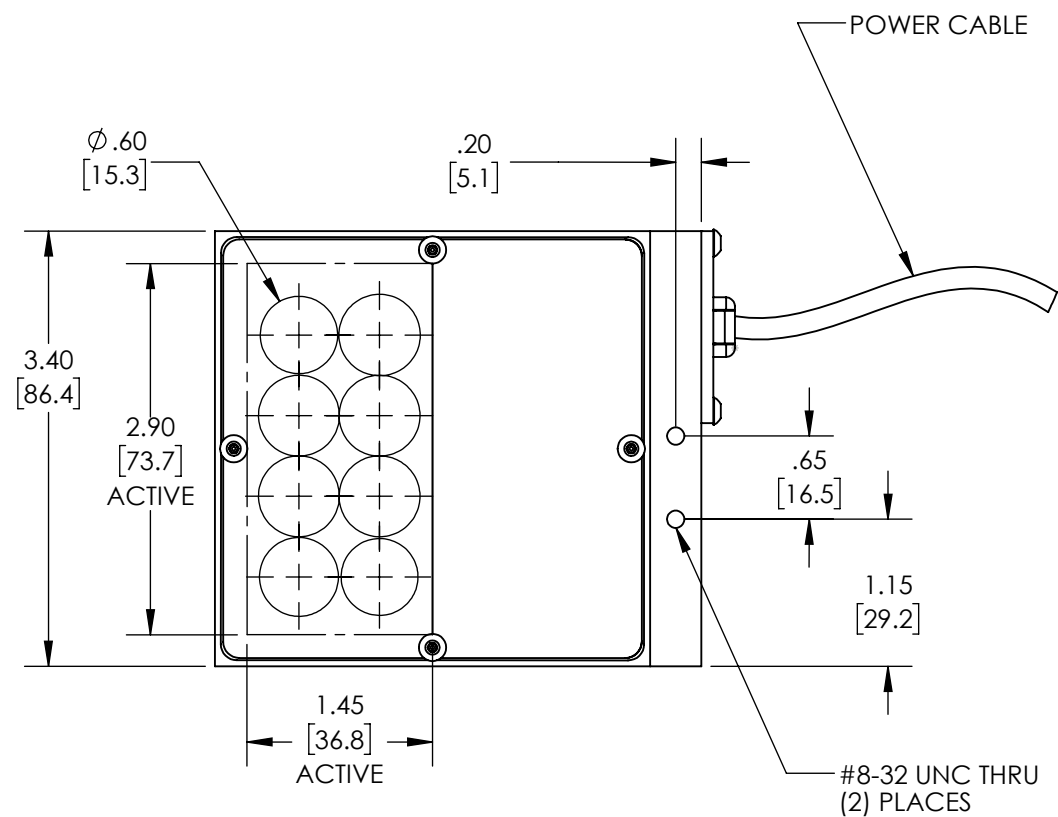


REVISIONS				
ZONE	REV.	DESCRIPTION	DATE	APPROVED
	B	P/N WAS FL302, KW	12/7/2011	
	C	REVISED / REFORMATTED	7/25/2016	
	D	HOLE CENTERS UPDATED TO REFLECT CURRENT FL301 HOUSING BEING UNIVERSALLY USED	7/6/2017	



Metaphase Technologies, Inc. 211 Sinclair Road, Suite 100, Bristol, PA. 19007 215-639-8699 Fax 215-639-0977



QUANTITY: Per order

MATERIAL: Per BOM

FINISH: Black Anodize

TREATMENT: N/A

TOLERANCE/FINISH UNLESS OTHERWISE SPECIFIED

INCHES [MM]				125√RMS [RA3.2um]
X	.X	.XX	.XXX	ANGLES ±1°
[±.76]	±.030 [±.25]	±.010 [±.13]	±.005	

THIS DOCUMENT IS THE PROPERTY OF METAPHASE TECHNOLOGIES, INC. WHOM MAY LOAN IT, SUBJECT TO RETURN UPON DEMAND. IT INCLUDES CONFIDENTIAL & PROPRIETARY INFORMATION WHICH MAY NOT BE DISCLOSED TO ANY THIRD PARTY, AND/ OR USED FOR ANY PURPOSE CONTRARY TO IT'S INTENDED USE, WITHOUT THE EXPRESSED PRIOR WRITTEN CONSENT OF METAPHASE TECHNOLOGIES, INC.

TITLE
Front Light, High Power Compact

USED ON
PER CUSTOMER

SIZE B DRAWING NUMBER CFL2.5X1.25-01 REV D
SCALE 1:1 SHEET 1 OF 1

Approval Signature

/ /
Date