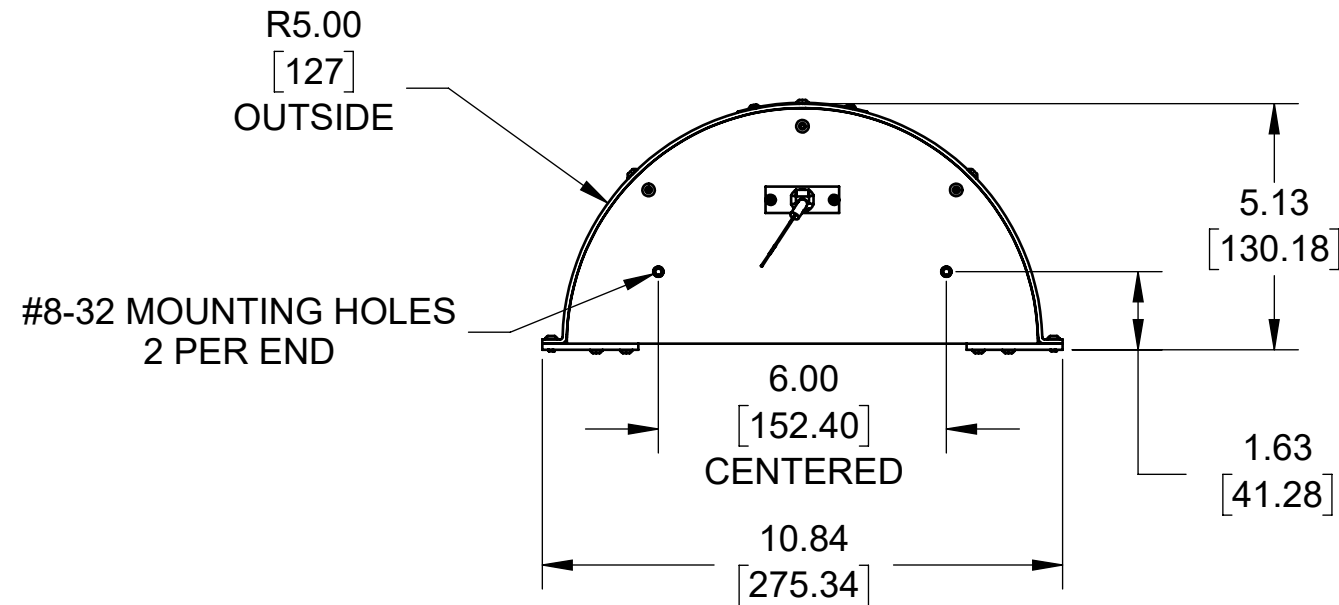
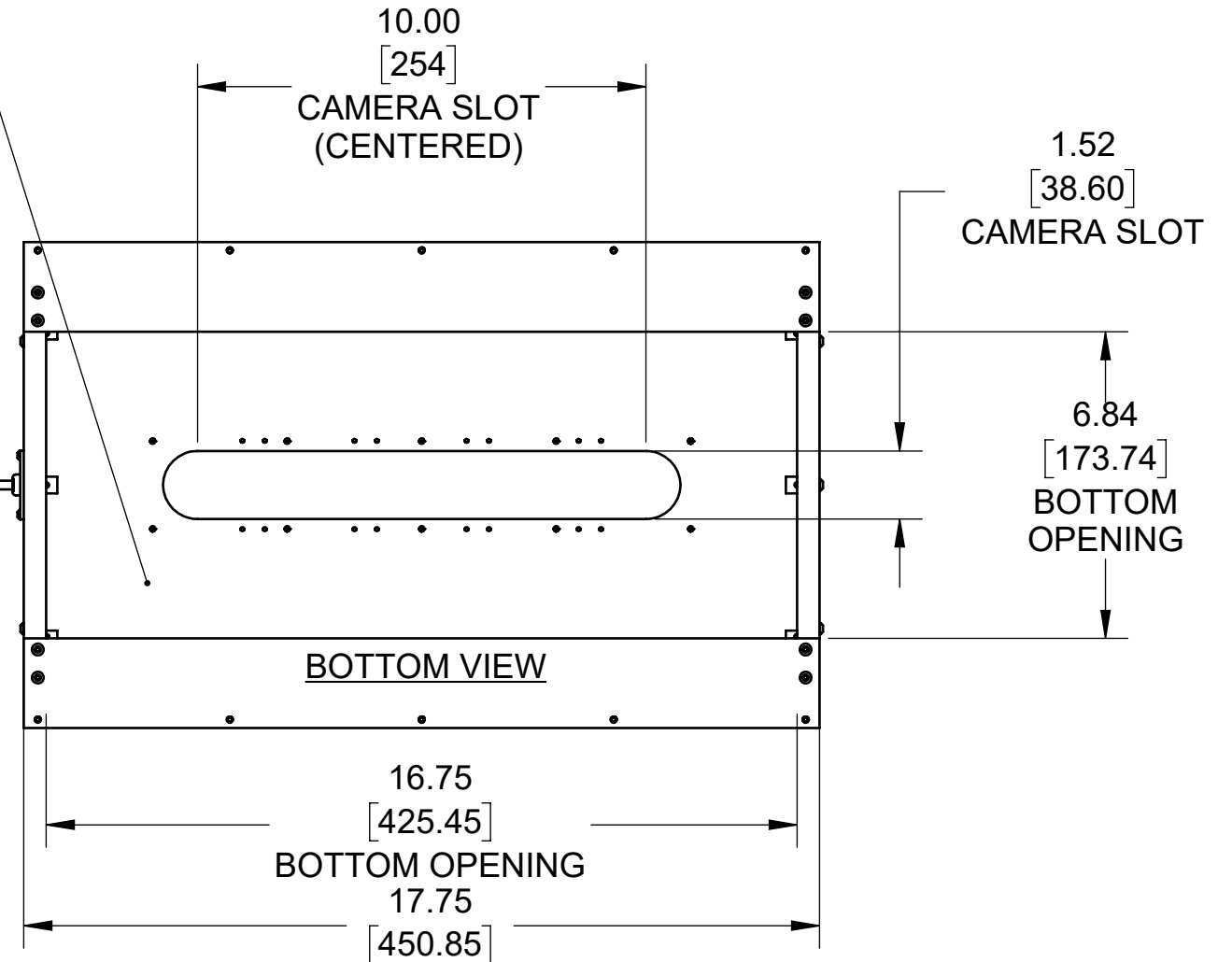


REVISIONS			
REV.	DESCRIPTION	DATE	APPROVED
A	INITIAL RELEASE	11/14/2011	
B	REMOVED 4X #8-32 CLINCH NUT	1/7/2018	

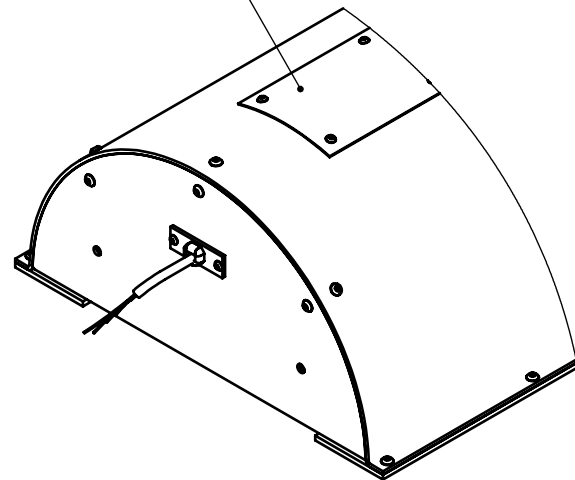


INTERIOR IS PAINTED SPECIAL WHITE FOR SUPERIOR REFLECTION.

POWER CABLE



TOP CAMERA PLATE INCLUDED (.02 THK. ALUM.) RETAINED BY SCREWS.



Metaphase Technologies, Inc. 211 Sinclair Road, Suite 100, Bristol, PA. 19007 215-639-8699 Fax 215-639-0977



QUANTITY: 1 per assy.

TOLERANCE/FINISH UNLESS OTHERWISE SPECIFIED

THIS DOCUMENT IS THE PROPERTY OF METAPHASE TECHNOLOGIES, INC. WHOM MAY LOAN IT, SUBJECT TO RETURN UPON DEMAND. IT INCLUDES CONFIDENTIAL & PROPRIETARY INFORMATION WHICH MAY NOT BE DISCLOSED TO ANY THIRD PARTY, AND/ OR USED FOR ANY PURPOSE CONTRARY TO IT'S INTENDED USE, WITHOUT THE EXPRESSED PRIOR WRITTEN CONSENT OF METAPHASE TECHNOLOGIES, INC.

TITLE
Assy.; Diffused Tube Light- 15"

MATERIAL: See BOM

INCHES [MM]				125√RMS [RA3.2um]
X	.X	.XX	.XXX	ANGLES ±1°
[±.76]	±.030 [±.25]	±.010 [±.13]	±.005	

USED ON
Per Customer

FINISH: Black Anodize

SIZE B DRAWING NUMBER DT306-1 REV B

TREATMENT: N/A

SCALE 1:4 SHEET 1 OF 1

SEE SHEET 2 FOR EXPLODED VIEW AND BOM.

Approval Signature

/ /
Date