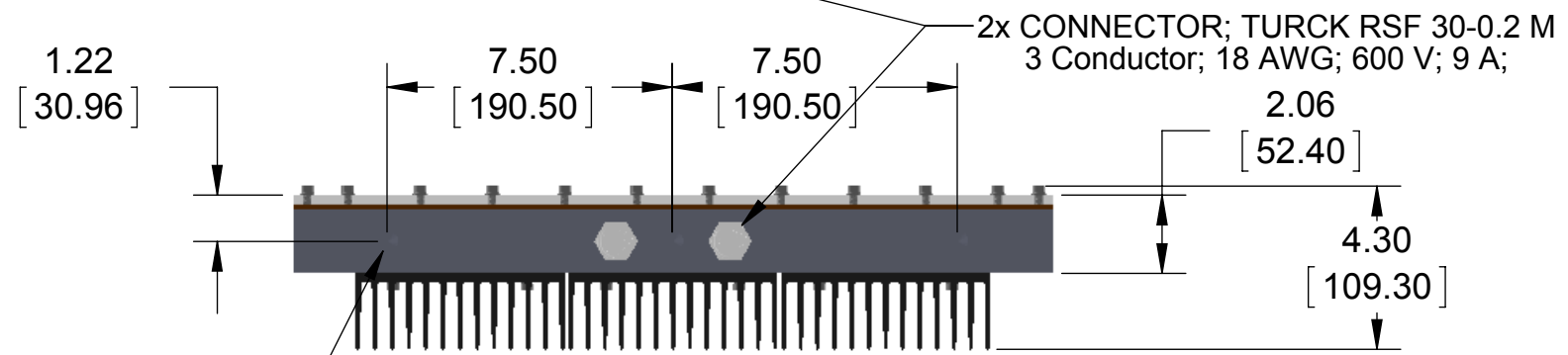
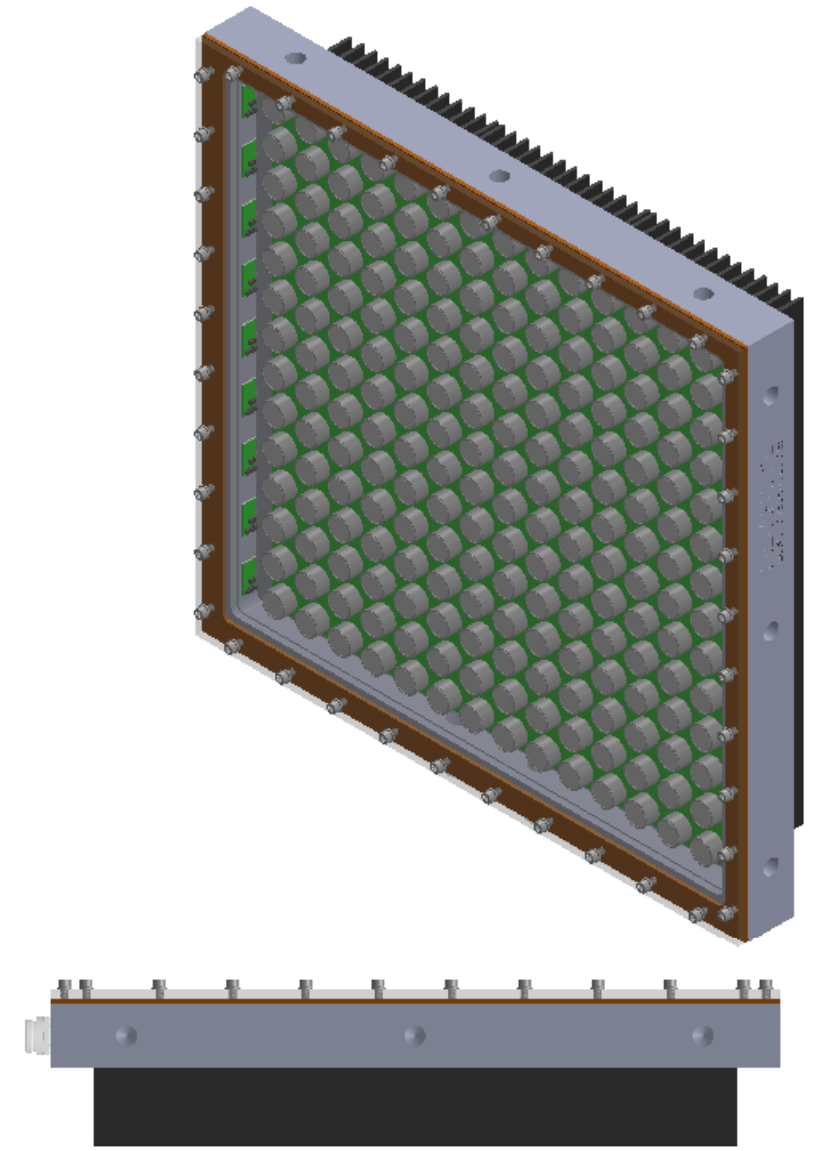


REVISIONS			
REV.	DESCRIPTION	DATE	APPROVED



MOUNTING HOLES
M14-2.0 X .5 DEEP.
3 PER SIDE
12 TOTAL

SEE SHEET 2 FOR EXPLODED VIEW AND BOM

Metaphase Technologies, Inc. 211 Sinclair Road, Suite 100, Bristol, PA. 19007 215-639-8699 Fax 215-639-0977



QUANTITY: Per order	TOLERANCE/FINISH UNLESS OTHERWISE SPECIFIED INCHES[MM] 125V/RMS X .X .XX .XXX [RA3.2um] [±.76] [±.030] [±.010] ±.005 ANGLES±1° [±.25] [±.13]
MATERIAL: Per BOM	
FINISH: Black Anodize	
TREATMENT: N/A	

THIS DOCUMENT IS THE PROPERTY OF METAPHASE TECHNOLOGIES, INC. WHOM MAY LOAN IT, SUBJECT TO RETURN UPON DEMAND. IT INCLUDES CONFIDENTIAL & PROPRIETARY INFORMATION WHICH MAY NOT BE DISCLOSED TO ANY THIRD PARTY, AND/ OR USED FOR ANY PURPOSE CONTRARY TO IT'S INTENDED USE, WITHOUT THE EXPRESSED PRIOR WRITTEN CONSENT OF METAPHASE TECHNOLOGIES, INC.

TITLE	Top Assy.- Flood Light	
USED ON	Per customer	
SIZE	DRAWING NUMBER	REV
B	FL400X400-1	A
SCALE 1:8	SHEET 1 OF 2	

Approval Signature

/ /
Date