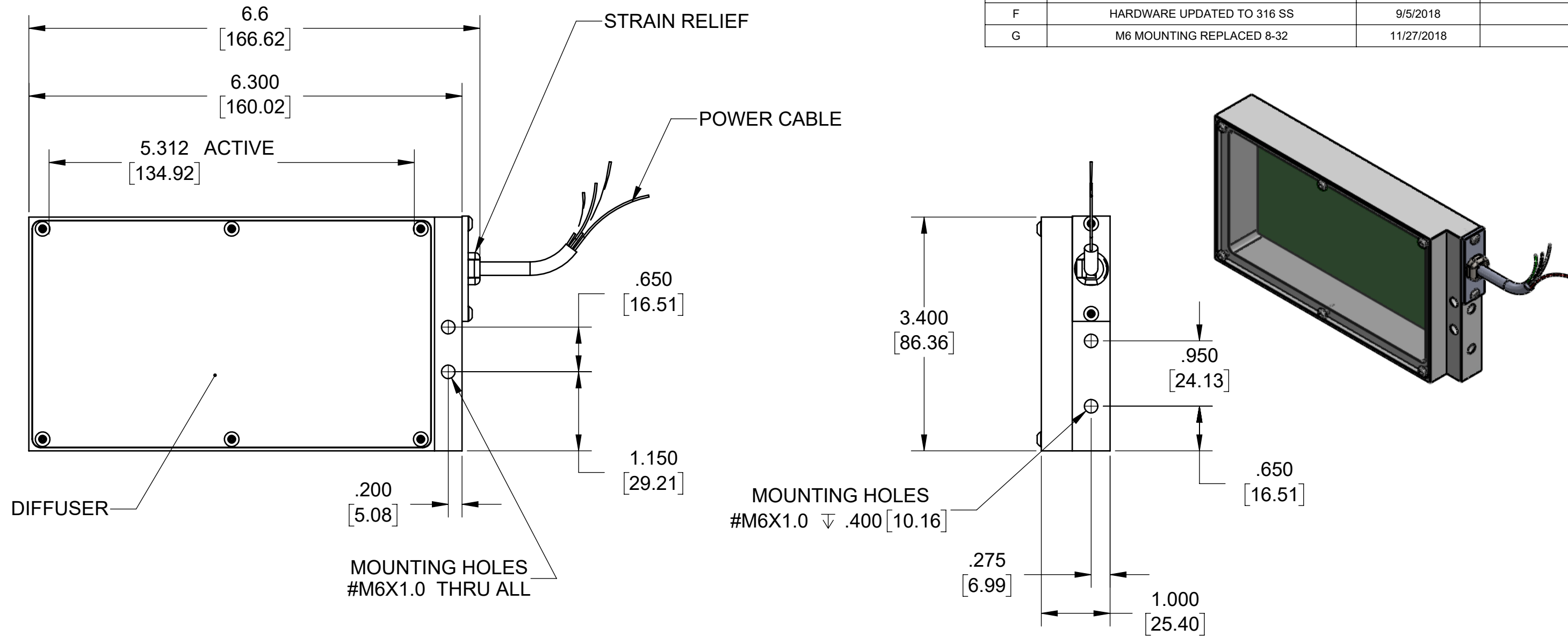


REVISIONS			
REV.	DESCRIPTION	DATE	APPROVED
B	REVISED & REDRAWN, KW	6/6/2011	
C	ADDED SHEET #3, KW	6/21/2011	
D	SHEET 2, .25 WAS .29, ADJUSTED 4-40 HOLE PATTERN, KW	7/27/2011	
E	REDRAWN ON NEW FORMAT	10/26/2014	
F	HARDWARE UPDATED TO 316 SS	9/5/2018	
G	M6 MOUNTING REPLACED 8-32	11/27/2018	



SEE SHEET 2 FOR EXPLODED VIEW AND BOM.

Metaphase Technologies, Inc. 211 Sinclair Road, Suite 100, Bristol, PA. 19007 215-639-8699 Fax 215-639-0977			
<b>QUANTITY:</b> 1 per assy.	<b>TOLERANCE/FINISH UNLESS OTHERWISE SPECIFIED</b>	THIS DOCUMENT IS THE PROPERTY OF METAPHASE TECHNOLOGIES, INC. WHOM MAY LOAN IT, SUBJECT TO RETURN UPON DEMAND. IT INCLUDES CONFIDENTIAL & PROPRIETARY INFORMATION WHICH MAY NOT BE DISCLOSED TO ANY THIRD PARTY, AND/ OR USED FOR ANY PURPOSE CONTRARY TO IT'S INTENDED USE, WITHOUT THE EXPRESSED PRIOR WRITTEN CONSENT OF METAPHASE TECHNOLOGIES, INC.	
<b>MATERIAL:</b> Per BOM	INCHES [MM]		
<b>FINISH:</b> Black Anodize	X .X .XX .XXX 125√RMS [RA3.2um]		
<b>TREATMENT:</b> N/A	[±.76] ±.030 [±.25] ±.010 [±.13] ±.005 ANGLES ±1°		
Approval Signature	/ / Date	<b>TITLE</b> Top Assembly; 3"x5" Front Light	<b>USED ON</b> Per Customer
		<b>SIZE</b> B	<b>DRAWING NUMBER</b> FL401-1
			<b>REV</b> G
		SCALE 1:2	SHEET 1 OF 1