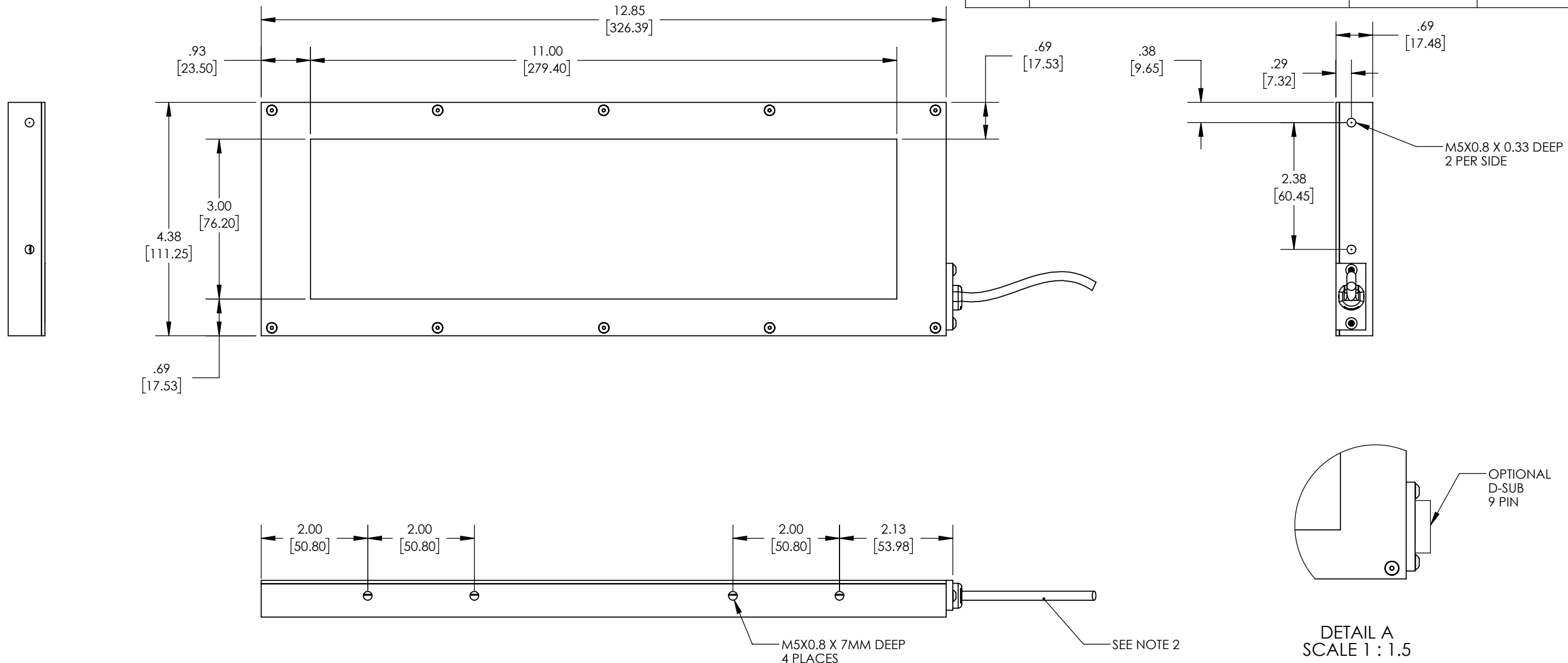


REVISIONS			
REV.	DESCRIPTION	DATE	APPROVED
A	11.00 WAS 11.60 KW	03/04/2011	
B	REFORMATTED	11/30/2016	
C	RENAMED 279X76 TO 76X279 PER SALES	9/26/2018	



1. INPUT PWR 24 VDC
2. 10 FT LONG ELECTRICAL CABLE WITH FLYING LEADS OR OPTIONAL M12 CONNECTOR

Metaphase Technologies, Inc. 211 Sinclair Road, Suite 100, Bristol, PA. 19007 215-639-8699 Fax 215-639-0977



QUANTITY:	Per order
MATERIAL:	Aluminum/ Acrylic
FINISH:	Black Anodize
TREATMENT:	N/A

TOLERANCE/FINISH UNLESS OTHERWISE SPECIFIED				
INCHES [MM]				
X	.X	.XX	.XXX	125√RMS [RA3.2um]
[±.76]	±.030 [±.25]	±.010 [±.13]	±.005	ANGLES ±1°

THIS DOCUMENT IS THE PROPERTY OF METAPHASE TECHNOLOGIES, INC. WHOM MAY LOAN IT, SUBJECT TO RETURN UPON DEMAND. IT INCLUDES CONFIDENTIAL & PROPRIETARY INFORMATION WHICH MAY NOT BE DISCLOSED TO ANY THIRD PARTY, AND/ OR USED FOR ANY PURPOSE CONTRARY TO IT'S INTENDED USE, WITHOUT THE EXPRESSED PRIOR WRITTEN CONSENT OF METAPHASE TECHNOLOGIES, INC.

TITLE		
Linear Back Light		
USED ON		
Per customer		
SIZE	DRAWING NUMBER	REV
B	LBL76x279	C
SCALE 1:2		SHEET 1 OF 1

Approval Signature _____

/ /
Date