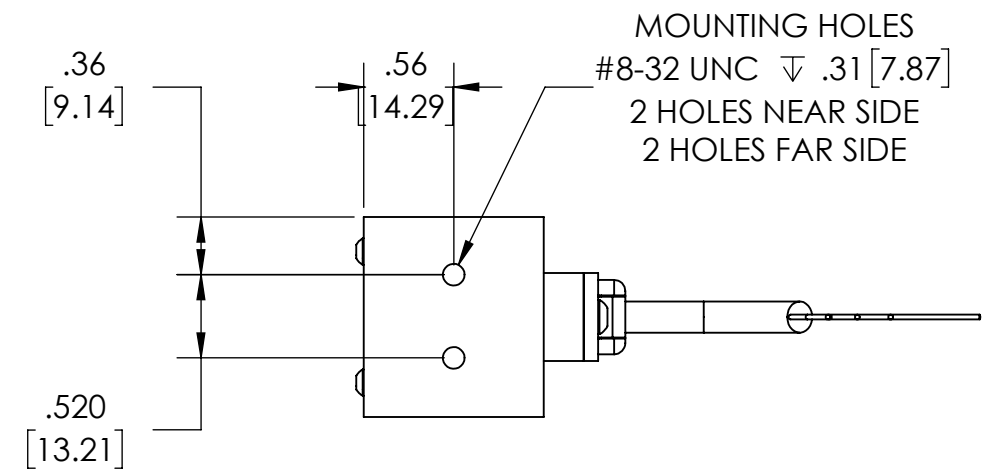
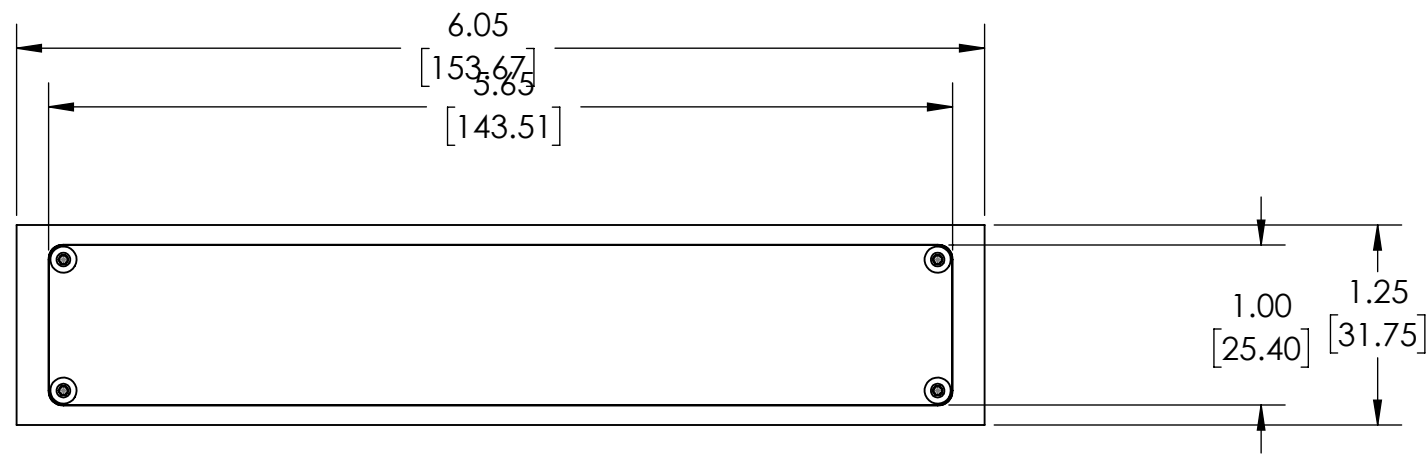
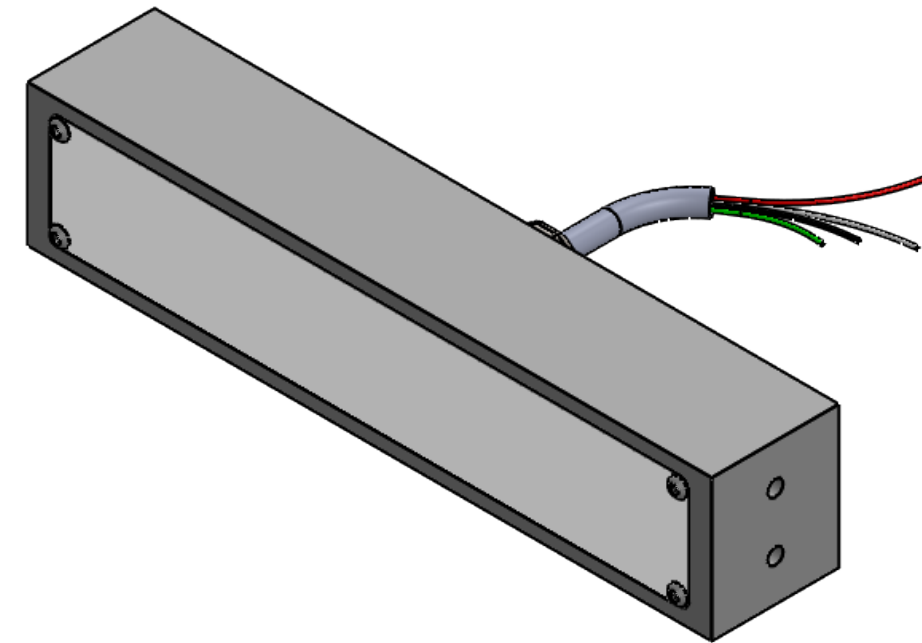
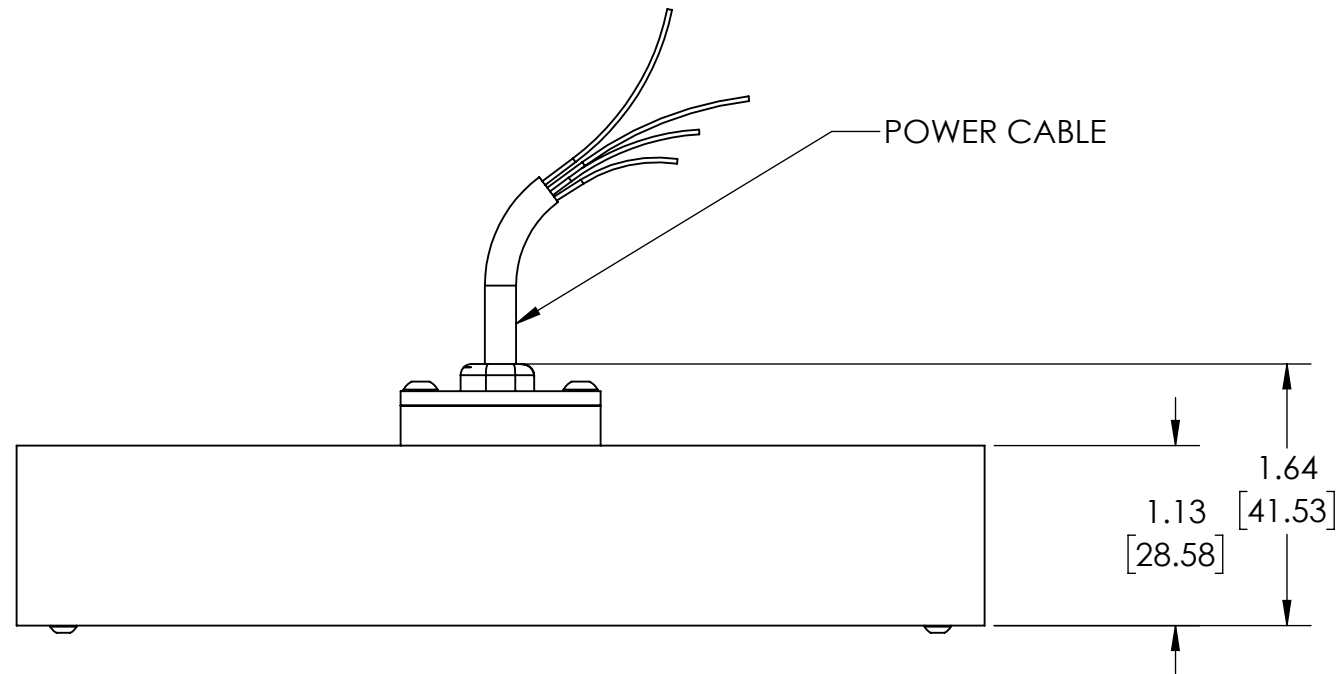


REVISIONS			
REV.	DESCRIPTION	DATE	APPROVED
A	INITIAL RELEASE	1/25/2018	



SEE SHEET 2 FOR EXPLODED VIEW AND BOM.

Metaphase Technologies, Inc. 211 Sinclair Road, Suite 100, Bristol, PA. 19007 215-639-8699 Fax 215-639-0977



<b>QUANTITY:</b>	Per order
<b>MATERIAL:</b>	See BOM
<b>FINISH:</b>	Black Anodize
<b>TREATMENT:</b>	N/A

TOLERANCE/FINISH UNLESS OTHERWISE SPECIFIED			
INCHES [MM]			
X	.X	.XX	.XXX
[±.76]	±.030 [±.25]	±.010 [±.13]	±.005
125√RMS [RA3.2um]			
ANGLES ±1°			

THIS DOCUMENT IS THE PROPERTY OF METAPHASE TECHNOLOGIES, INC. WHOM MAY LOAN IT, SUBJECT TO RETURN UPON DEMAND. IT INCLUDES CONFIDENTIAL & PROPRIETARY INFORMATION WHICH MAY NOT BE DISCLOSED TO ANY THIRD PARTY, AND/ OR USED FOR ANY PURPOSE CONTRARY TO IT'S INTENDED USE, WITHOUT THE EXPRESSED PRIOR WRITTEN CONSENT OF METAPHASE TECHNOLOGIES, INC.

TITLE  
Front Light, Linear, 1 X 5 Inch

USED ON  
Per Customer

SIZE <b>B</b>	DRAWING NUMBER <b>LFL205</b>	REV <b>A</b>
SCALE 1:2		SHEET 1 OF 1

Approval Signature

/ /  
Date