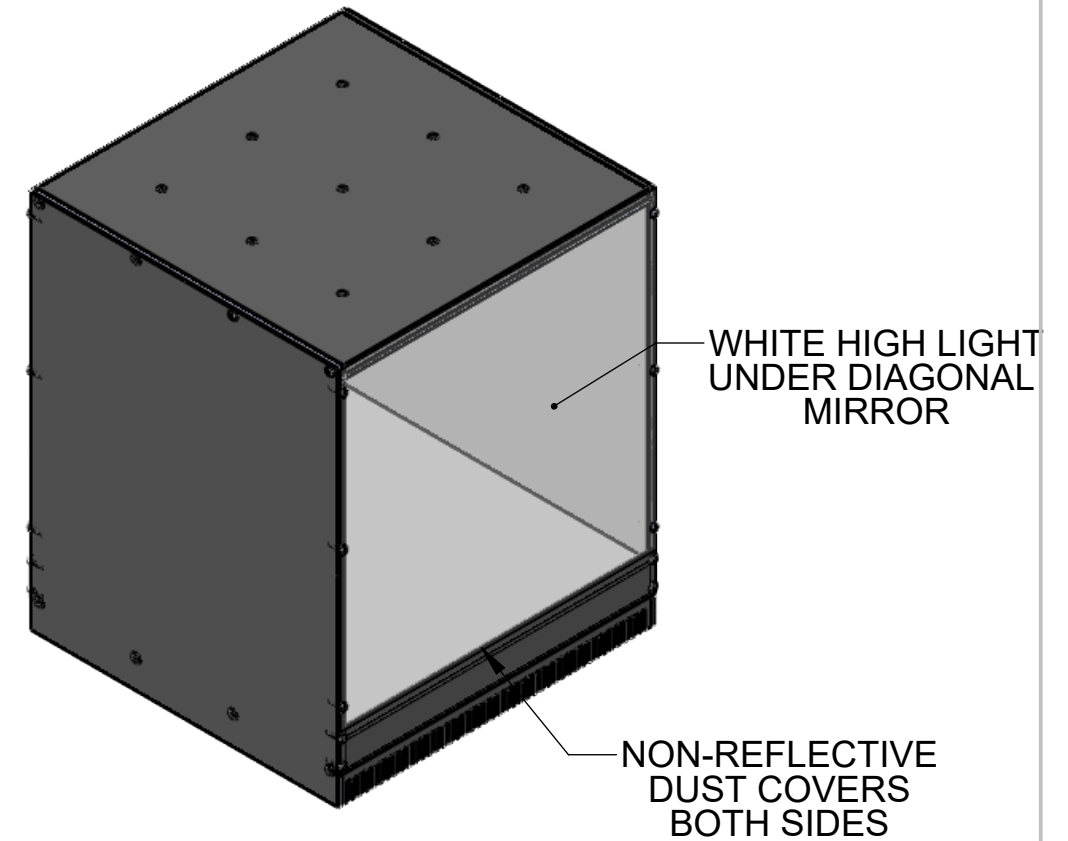
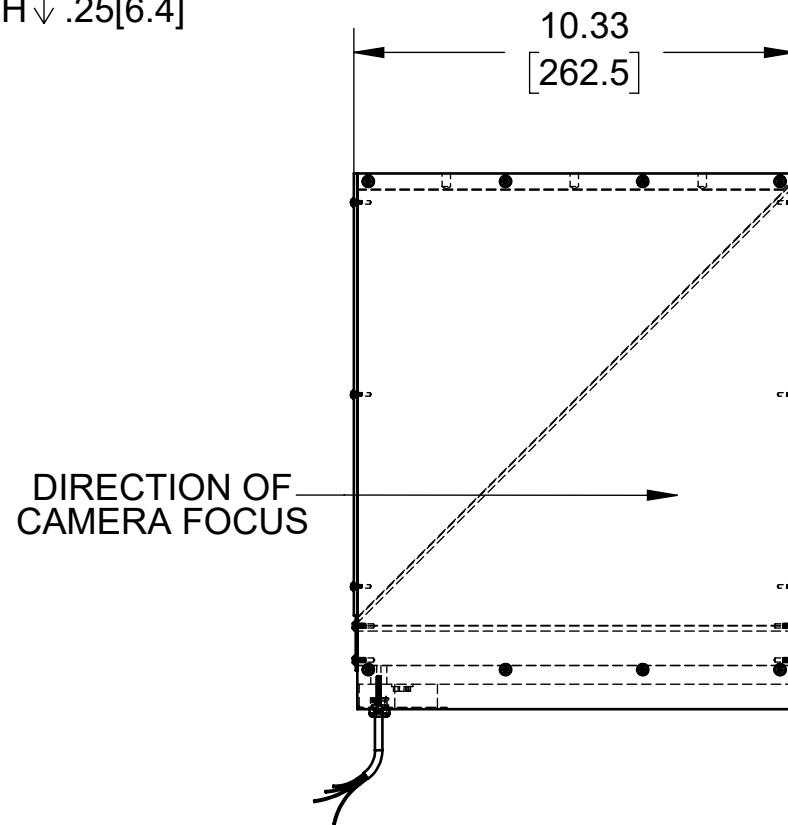
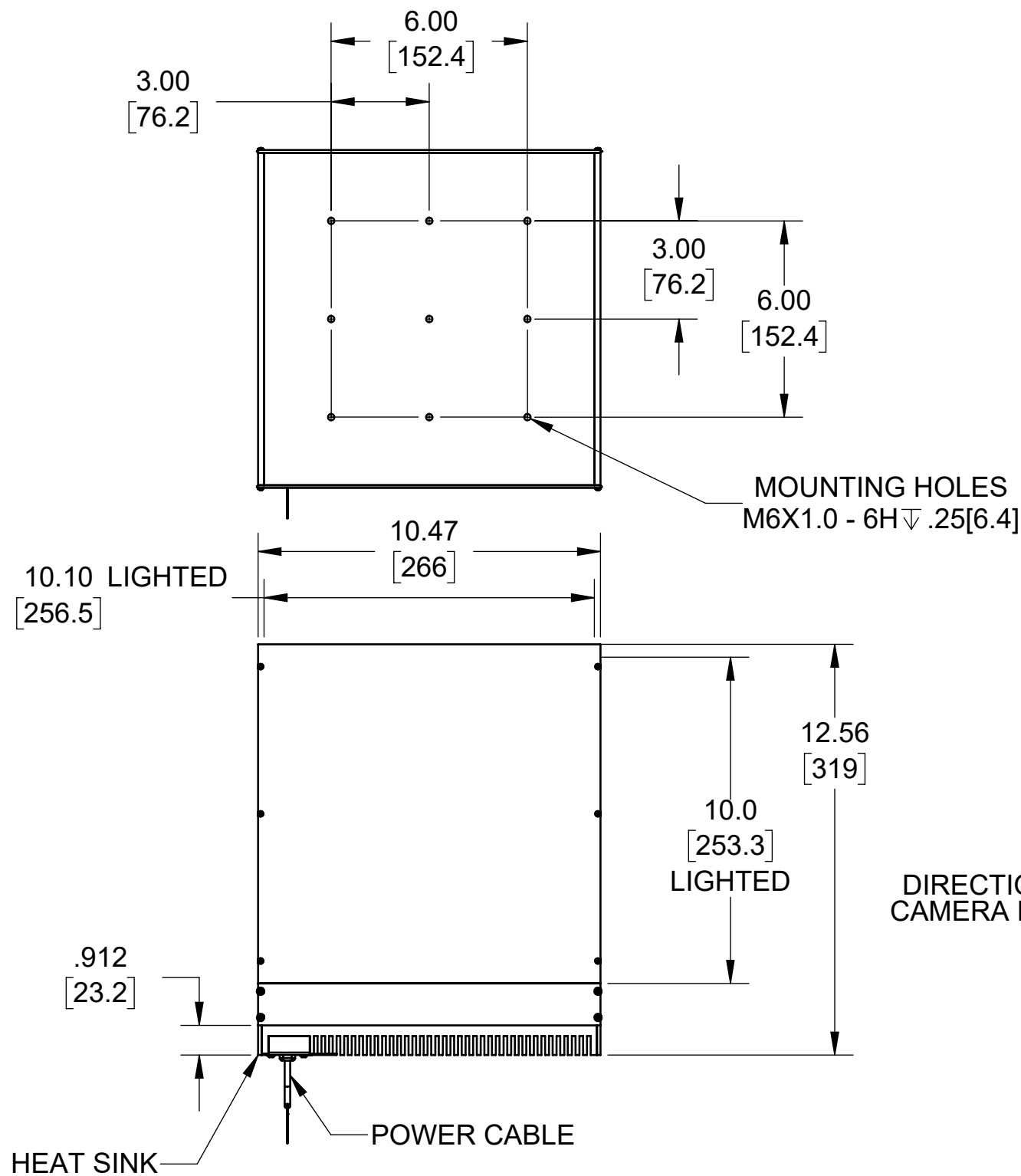


REVISIONS			
REV.	DESCRIPTION	DATE	APPROVED
B	REVISED ACCESS AREA FOR NEW DRIVER BOARD	01/03/2017	
C	REVISED DUST COVER HARDWARE	9/22/2017	



Metaphase Technologies, Inc. 211 Sinclair Road, Suite 100, Bristol, PA. 19007 215-639-8699 Fax 215-639-0977



QUANTITY:	Per order
MATERIAL:	Aluminum; Acrylic
FINISH:	Black Anodized
TREATMENT:	N/A

TOLERANCE/FINISH UNLESS OTHERWISE SPECIFIED				
INCHES [MM]				125√RMS [RA3.2um]
X	.X	.XX	.XXX	ANGLES ±1°
[±.76]	±.030 [±.25]	±.010 [±.13]	±.005	

THIS DOCUMENT IS THE PROPERTY OF METAPHASE TECHNOLOGIES, INC. WHOM MAY LOAN IT, SUBJECT TO RETURN UPON DEMAND. IT INCLUDES CONFIDENTIAL & PROPRIETARY INFORMATION WHICH MAY NOT BE DISCLOSED TO ANY THIRD PARTY, AND/ OR USED FOR ANY PURPOSE CONTRARY TO IT'S INTENDED USE, WITHOUT THE EXPRESSED PRIOR WRITTEN CONSENT OF METAPHASE TECHNOLOGIES, INC.

TITLE
Top Assy.- DAL1005 10x10

USED ON
Per customer

SIZE B	DRAWING NUMBER MB-DAL1005-1	REV C
SCALE 1:4		SHEET 1 OF 1

SEE SHEET 2 FOR EXPLODED VIEW AND BOM

Approval Signature

/ /
Date