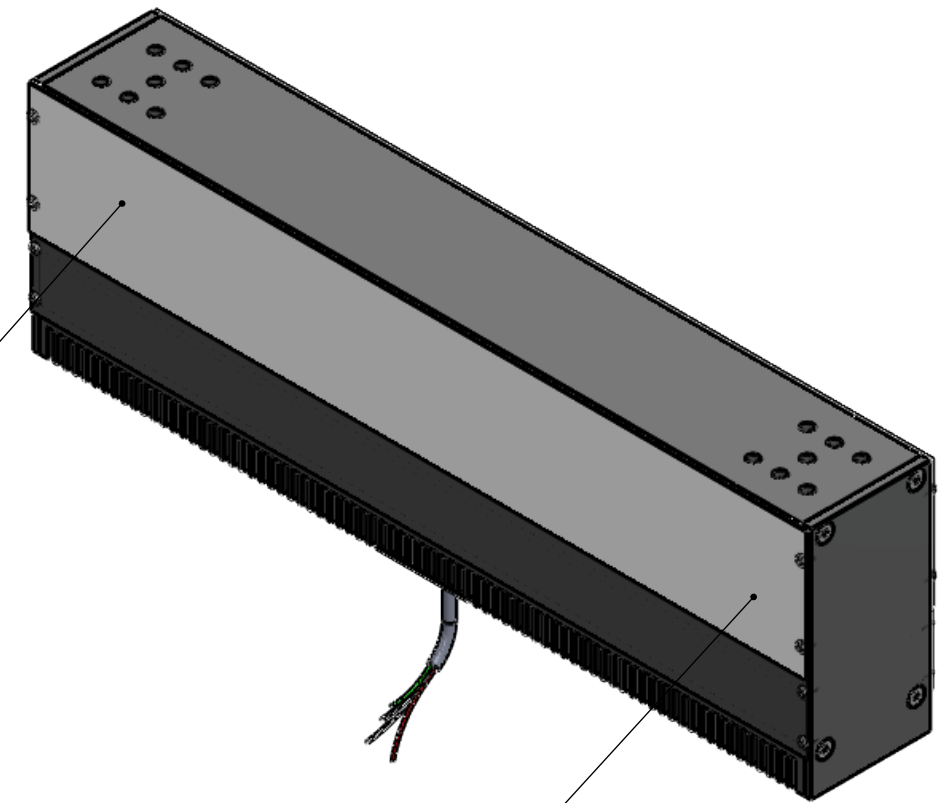


REVISIONS			
REV.	DESCRIPTION	DATE	APPROVED
A	INITIAL RELEASE	4/28/2017	

(14) MOUNTING HOLES
 14X M6X1.0 - 6H ∇ .25 [6.35]

WHITE HIGH LIGHT
 UNDER DIAGONAL
 MIRROR



NON-REFLECTIVE
 DUST COVERS
 BOTH SIDES

POWER CABLE
 18 AWG Stranded;
 4 conductor w/ flying
 leadwire ends; 10' Lg.

HEAT SINK

SEE SHEET 2 FOR EXPLODED VIEW AND BOM

Metaphase Technologies, Inc. 211 Sinclair Road, Suite 100, Bristol, PA. 19007 215-639-8699 Fax 215-639-0977



QUANTITY:	Per order
MATERIAL:	Per BOM
FINISH:	Black Anodized
TREATMENT:	N/A

TOLERANCE/FINISH UNLESS OTHERWISE SPECIFIED				
INCHES [MM]				125√RMS [RA3.2um]
X	.X	.XX	.XXX	
[±.76]	±.030 [±.25]	±.010 [±.13]	±.005	ANGLES ±1°

THIS DOCUMENT IS THE PROPERTY OF METAPHASE TECHNOLOGIES, INC. WHOM MAY LOAN IT, SUBJECT TO RETURN UPON DEMAND. IT INCLUDES CONFIDENTIAL & PROPRIETARY INFORMATION WHICH MAY NOT BE DISCLOSED TO ANY THIRD PARTY, AND/ OR USED FOR ANY PURPOSE CONTRARY TO IT'S INTENDED USE, WITHOUT THE EXPRESSED PRIOR WRITTEN CONSENT OF METAPHASE TECHNOLOGIES, INC.

TITLE	Top Assy MB-DAL2X14		
USED ON	Per customer		
SIZE	DRAWING NUMBER	REV	
B	MB-DAL2X14-1	A	
SCALE 1:2		SHEET 1 OF 1	

Approval Signature _____ / / Date _____