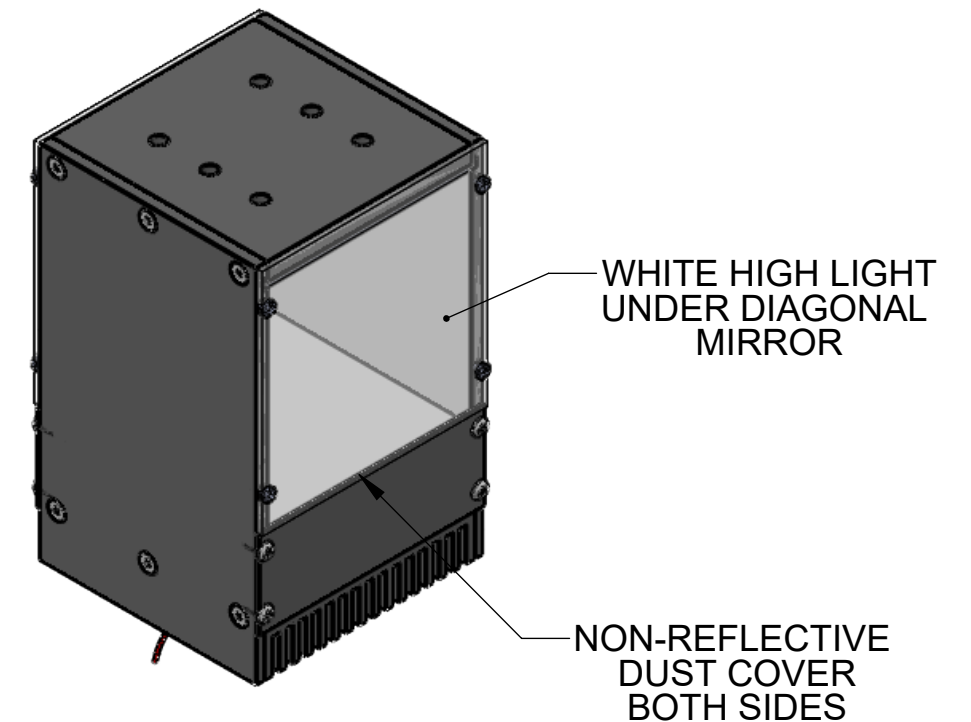


REVISIONS				
REV.	DESCRIPTION	DATE	APPROVED	
A	INITIAL RELEASE	5/7/2013		
B	CHANGED VIEW ON SHEET 3	5/7/2013		
C	ADDED DUST COVERS AND ADDITIONAL SCREWS	5/19/2013		
D	CHANGED DUST COVER HARDWARE	9/21/2017		



Metaphase Technologies, Inc. 211 Sinclair Road, Suite 100, Bristol, PA. 19007 215-639-8699 Fax 215-639-0977



SEE SHEET 2 FOR EXPLODED VIEW AND BOM

QUANTITY:	Per order
MATERIAL:	Per BOM
FINISH:	Black Anodized
TREATMENT:	N/A

TOLERANCE/FINISH UNLESS OTHERWISE SPECIFIED				
INCHES [MM]				
X	.X	.XX	.XXX	125√RMS [RA3.2um]
[±.76]	±.030 [±.25]	±.010 [±.13]	±.005	ANGLES ±1°

THIS DOCUMENT IS THE PROPERTY OF METAPHASE TECHNOLOGIES, INC. WHOM MAY LOAN IT, SUBJECT TO RETURN UPON DEMAND. IT INCLUDES CONFIDENTIAL & PROPRIETARY INFORMATION WHICH MAY NOT BE DISCLOSED TO ANY THIRD PARTY, AND/ OR USED FOR ANY PURPOSE CONTRARY TO IT'S INTENDED USE, WITHOUT THE EXPRESSED PRIOR WRITTEN CONSENT OF METAPHASE TECHNOLOGIES, INC.

TITLE
Top Assy.- DAL301 3 X 3

USED ON
Per customer

SIZE B	DRAWING NUMBER MB-DAL301-1	REV D
SCALE 1:2		SHEET 1 OF 1

Approval Signature

/ /
Date