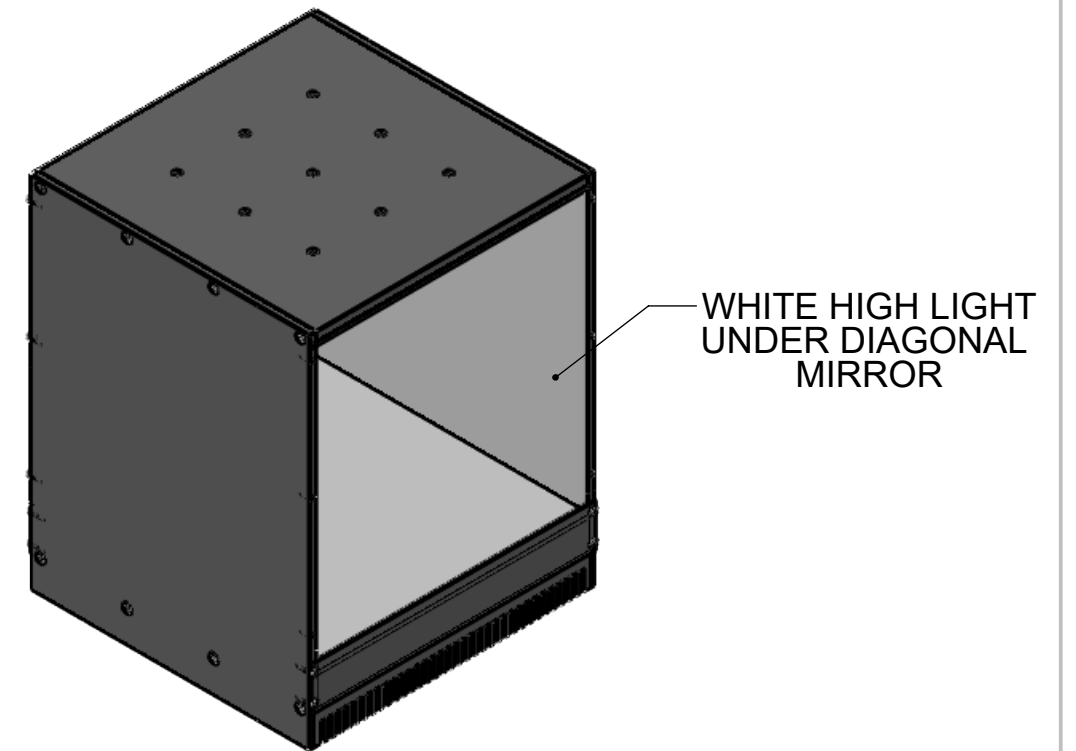
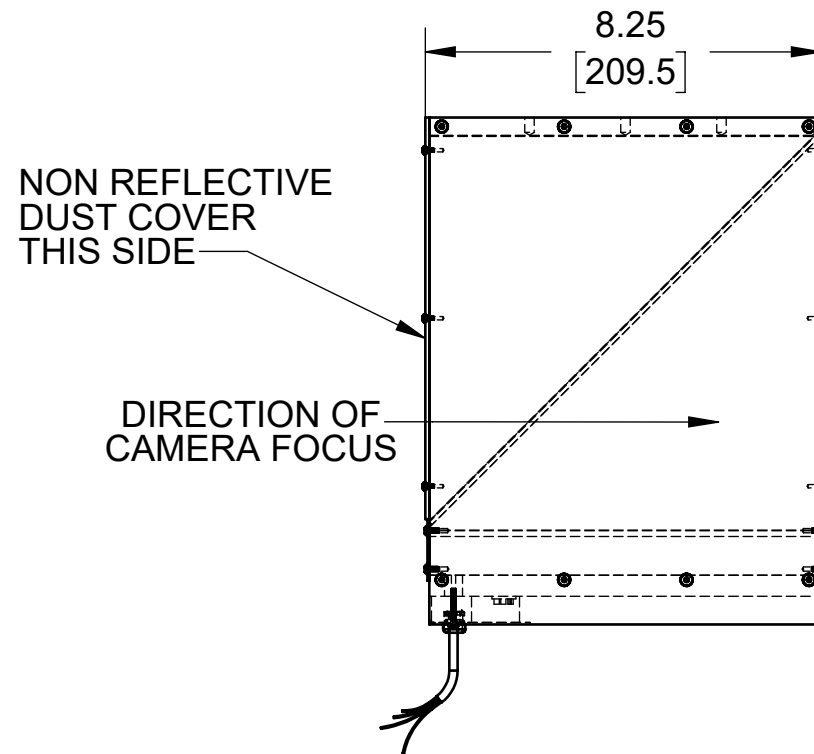
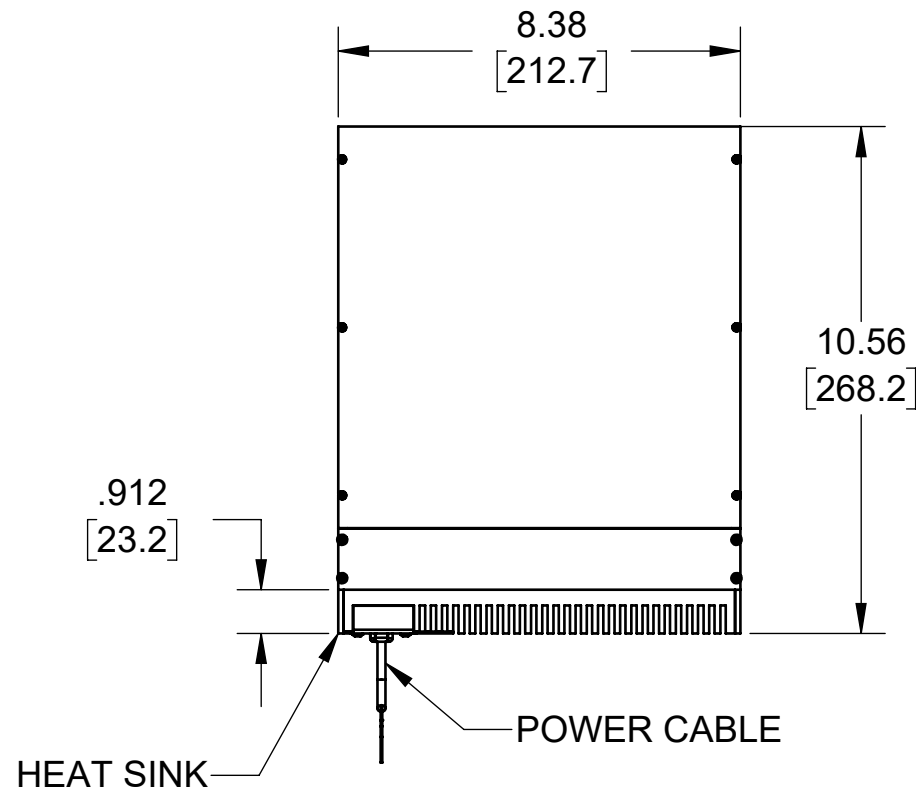


REVISIONS				
REV.	DESCRIPTION	DATE	APPROVED	
A	INITIAL RELEASE	5/8/2013		
B	CHANGED VIEW ON SHEET 3	5/8/2013		
C	ADDED DUST COVERS AND ADDITIONAL SCREWS	5/26/2013		
D	REVISED CABLE ENTRY AREA FOR NEW DRIVER	01/03/2017		
E	ADDED EPOXY AT 4 CORNERS AND FELT SPACERS FOR MIRROR	7/6/2017		
F	CHANGED DUST COVER HARDWARE	9/21/2017		



SEE SHEET 2 FOR EXPLODED VIEW AND BOM

Metaphase Technologies, Inc. 211 Sinclair Road, Suite 100, Bristol, PA. 19007 215-639-8699 Fax 215-639-0977



<b>QUANTITY:</b>	Per order
<b>MATERIAL:</b>	Per BOM
<b>FINISH:</b>	Black Anodized
<b>TREATMENT:</b>	N/A

TOLERANCE/FINISH UNLESS OTHERWISE SPECIFIED				
INCHES [MM]				
X	.X	.XX	.XXX	125√RMS [RA3.2um]
[±.76]	±.030 [±.25]	±.010 [±.13]	±.005	ANGLES ±1°

THIS DOCUMENT IS THE PROPERTY OF METAPHASE TECHNOLOGIES, INC. WHOM MAY LOAN IT, SUBJECT TO RETURN UPON DEMAND. IT INCLUDES CONFIDENTIAL & PROPRIETARY INFORMATION WHICH MAY NOT BE DISCLOSED TO ANY THIRD PARTY, AND/ OR USED FOR ANY PURPOSE CONTRARY TO IT'S INTENDED USE, WITHOUT THE EXPRESSED PRIOR WRITTEN CONSENT OF METAPHASE TECHNOLOGIES, INC.

TITLE  
Top Assy.- DAL801 8x8

USED ON  
Per customer

SIZE <b>B</b>	DRAWING NUMBER <b>MB-DAL801-1</b>	REV <b>F</b>
SCALE 1:4		SHEET 1 OF 1

Approval Signature

/ /  
Date