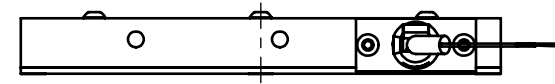


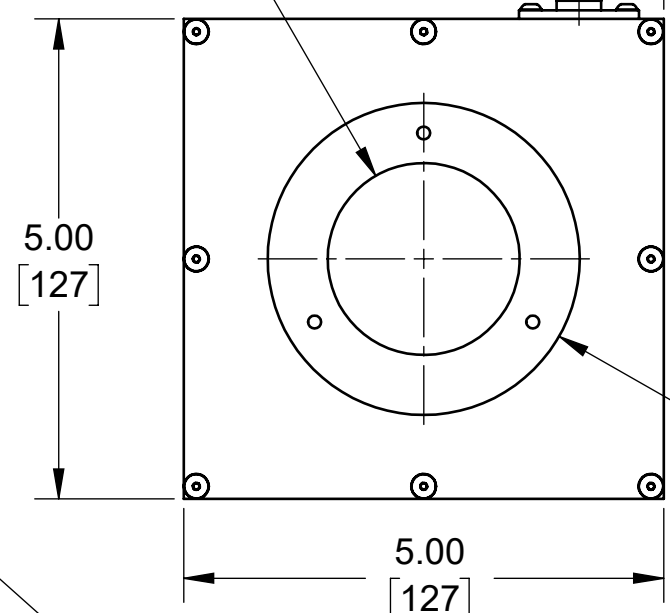
REVISIONS			
REV.	DESCRIPTION	DATE	APPROVED
A	INITIAL RELEASE	9/24/2012	
B	REDESIGNED ON NEW FORMAT	2/18/2015	
C	DELETED DIFFUSER- NOT REQUIRED ON THIS MODEL.	3/16/2015	
D	BOM HARDWARE UPDATE	12/28/2016	



Ø2.00 ∇ THRU
[50.80]
CENTERED
CAMERA HOLE

.88
[22.43]

POWER CABLE



Ø3.25 OPENING ABOVE DIFFUSER
[82.55]

MOUNTING HOLES
M5X0.8 - 6H ∇ .15 [3.81]
2 HOLES NEAR SIDE
2 HOLES FAR SIDE

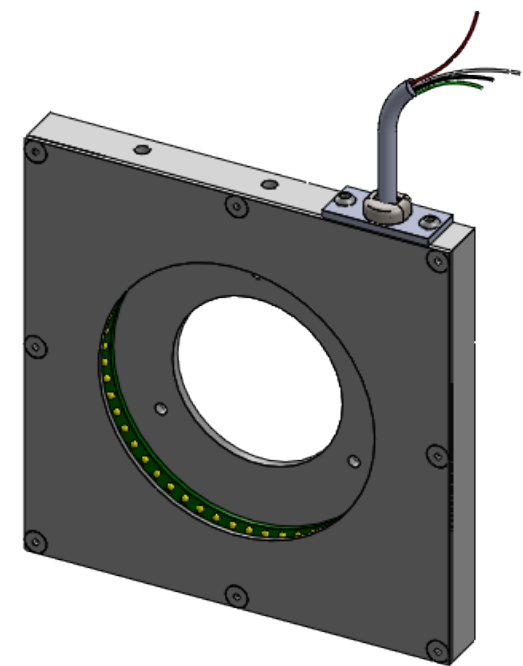
.36
[9.09]

.58 HOUSING
[14.68]

1.20
[30.48]

1.50
[38.10]

.64 OVERALL
[16.33]



Metaphase Technologies, Inc. 211 Sinclair Road, Suite 100, Bristol, PA. 19007 215-639-8699 Fax 215-639-0977



SEE SHEET 2 FOR EXPLODED VIEW AND BOM.

QUANTITY:	Per order
MATERIAL:	Aluminum
FINISH:	Black Anodize
TREATMENT:	N/A

TOLERANCE/FINISH UNLESS OTHERWISE SPECIFIED				
INCHES [MM]				
X	.X	.XX	.XXX	125√RMS [RA3.2um]
[±.76]	±.030 [±.25]	±.010 [±.13]	±.005	ANGLES ±1°

THIS DOCUMENT IS THE PROPERTY OF METAPHASE TECHNOLOGIES, INC. WHOM MAY LOAN IT, SUBJECT TO RETURN UPON DEMAND. IT INCLUDES CONFIDENTIAL & PROPRIETARY INFORMATION WHICH MAY NOT BE DISCLOSED TO ANY THIRD PARTY, AND/ OR USED FOR ANY PURPOSE CONTRARY TO IT'S INTENDED USE, WITHOUT THE EXPRESSED PRIOR WRITTEN CONSENT OF METAPHASE TECHNOLOGIES, INC.

TITLE
Assy.; Off Axis Ring Light - 2" ID

USED ON
Per customer

SIZE B	DRAWING NUMBER MB-OARL111-1	REV D
SCALE 1:2		SHEET 1 OF 1

Approval Signature _____

/ /
Date