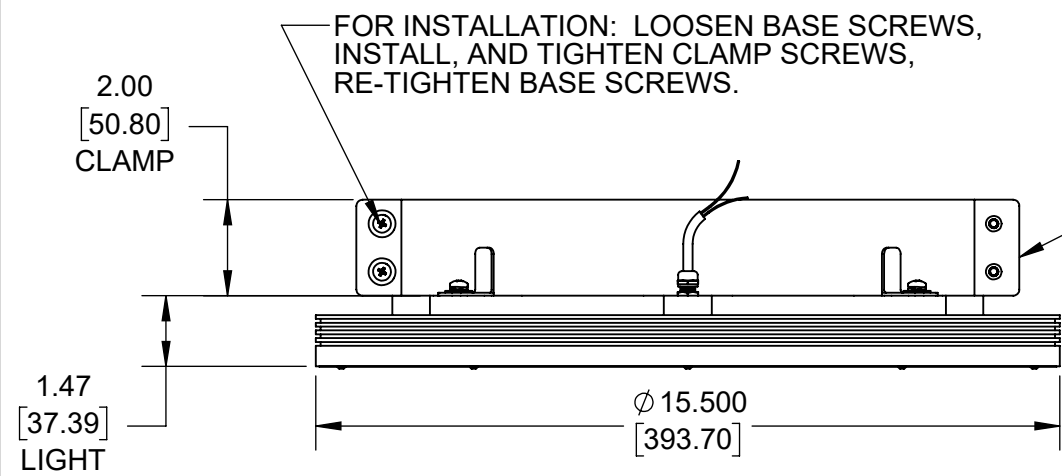
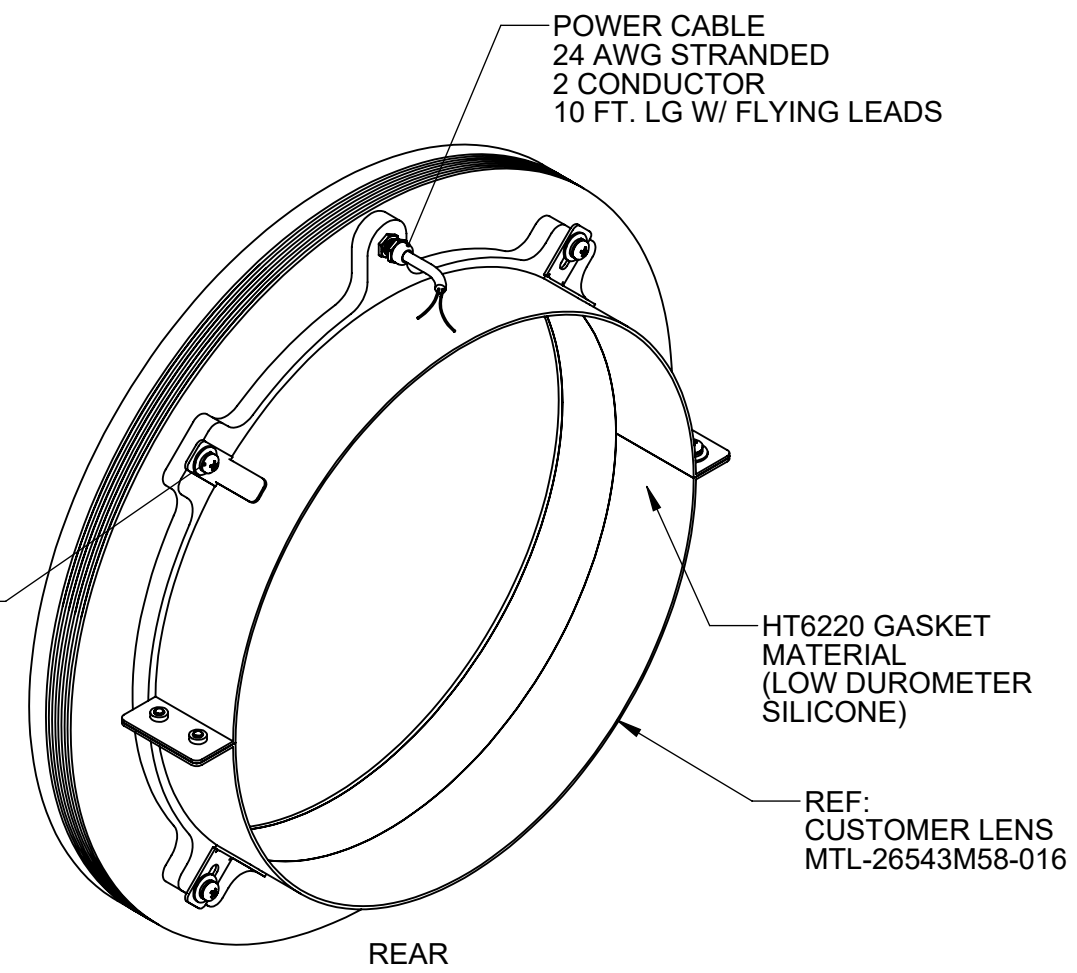
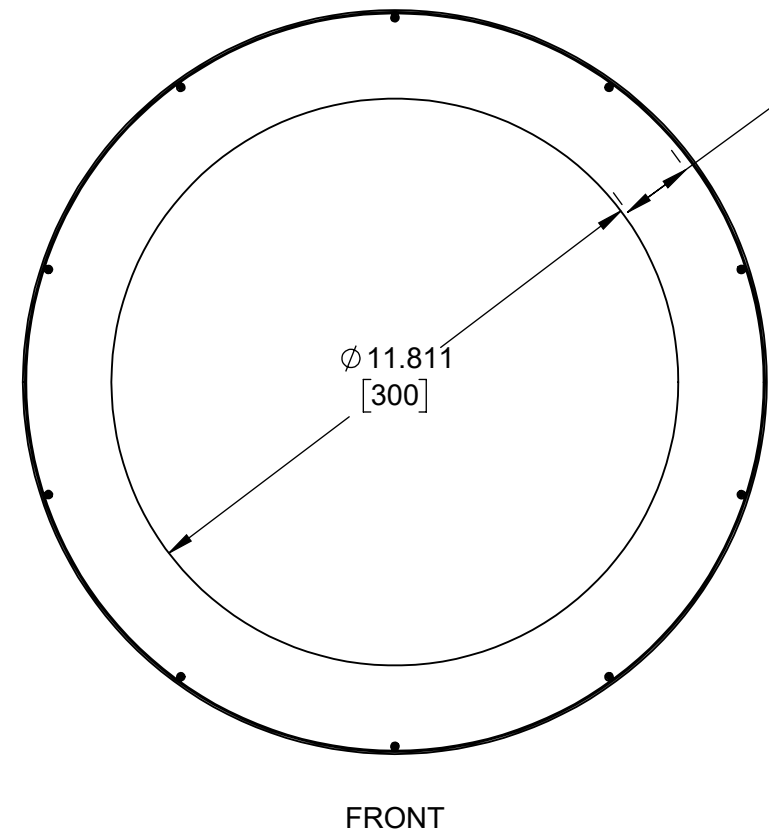


REVISIONS			
REV.	DESCRIPTION	DATE	APPROVED
A	INITIAL RELEASE	9/20/2016	
B	CIRCUIT OD REVISION	10/3/2016	



2 PIECE LENS CLAMP
16 GA. STEEL
WHITE POWDER COAT
(IDENTICAL)



Metaphase Technologies, Inc. 211 Sinclair Road, Suite 100, Bristol, PA. 19007 215-639-8699 Fax 215-639-0977						
QUANTITY: Per order	TOLERANCE / FINISH UNLESS OTHERWISE SPECIFIED	THIS DOCUMENT IS THE PROPERTY OF METAPHASE TECHNOLOGIES, INC. WHOM MAY LOAN IT, SUBJECT TO RETURN UPON DEMAND. IT INCLUDES CONFIDENTIAL & PROPRIETARY INFORMATION WHICH MAY NOT BE DISCLOSED TO ANY THIRD PARTY, AND/ OR USED FOR ANY PURPOSE CONTRARY TO IT'S INTENDED USE, WITHOUT THE EXPRESSED PRIOR WRITTEN CONSENT OF METAPHASE TECHNOLOGIES, INC.				
MATERIAL: Per BOM						
FINISH: See note	INCHES [MM]					
TREATMENT: N/A	X			.X	.XX	.XXX
Approval Signature	/ / Date	[±.76]	±.030 [±.25]	±.010 [±.13]	±.005	ANGLES ±1°
		TITLE Top Assy.; 300mm Ring Light				
		USED ON Per customer				
		SIZE B	DRAWING NUMBER MB-RL30005-1			
		REV B				
		SCALE 1:4	SHEET 1 OF 1			